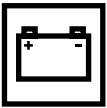
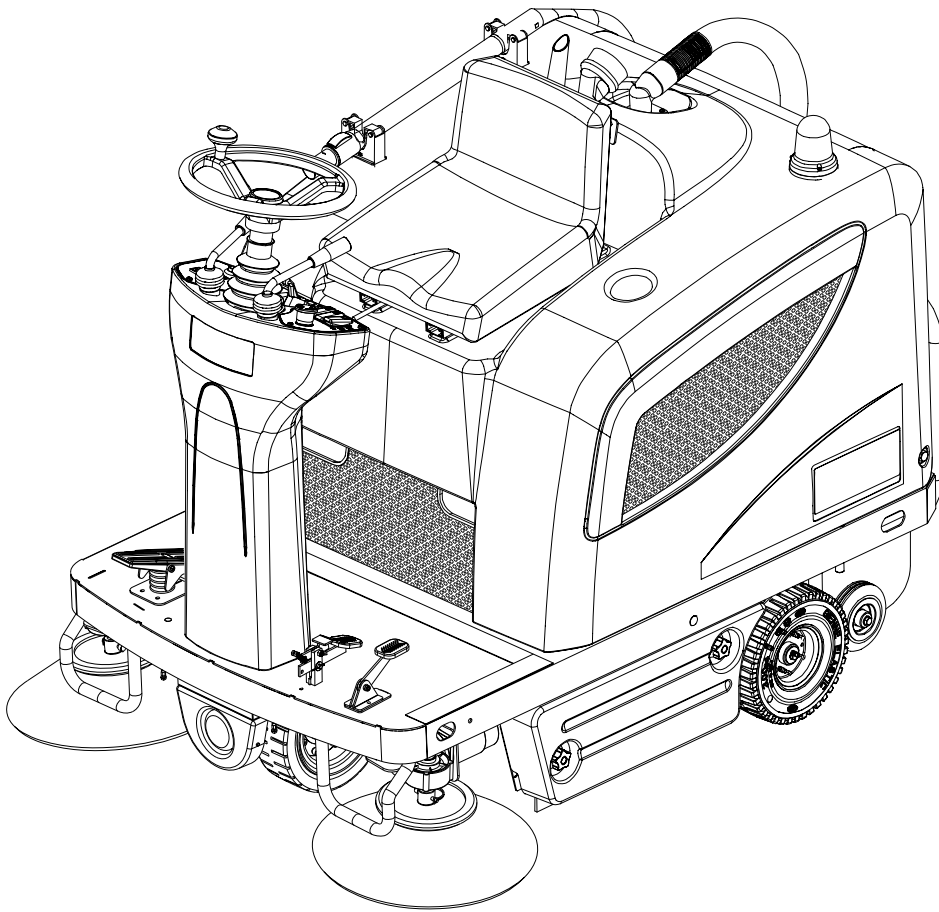


# Terra™ 4300 B

## Parts list

06/2009 Revised 01/2018  
(C)  
FORM NO. 1464036000



Models No.:  
9084317010, 9084318010



**TABLE OF CONTENTS**

GENERAL VIEW .....	2
CHASSIS ASSEMBLY .....	4
BONNET SYSTEM .....	8
MAIN BROOM ASSEMBLY .....	10
RIGHT SIDE BROOM ASSEMBLY .....	12
LEFT SIDE BROOM ASSEMBLY .....	14
STEERING SYSTEM .....	16
FRONT WHEEL .....	18
PEDAL ASSEMBLIES .....	20
CONTROL PANELS SYSTEM .....	24
DRIVE SYSTEM .....	26
DUST CONTROL SYSTEM .....	28
WASTE CONTAINER ASSEMBLY .....	30
ELECTRICAL COMPONENTS .....	32
BATTERY CHARGER ASSEMBLY .....	36
ACCESSORIES .....	38
WIRING DIAGRAM .....	44
RECOMMENDED SPARE PARTS .....	46
ACCESSORIES - OPTIONALS .....	47

**WHEN ORDERING PARTS**

- Use the part numbers from the “REF. NO.” columns in this parts list. If the “REF. NO.” column is blank; look under the “KIT” column to identify which kit contains the part in question, then use the kit callout, for example “K1”, to find the “REF. NO.” for that kit.
- Specify the model number and serial number of the machine.
- Use the space below to record the model number and serial number for future reference.

Model No.

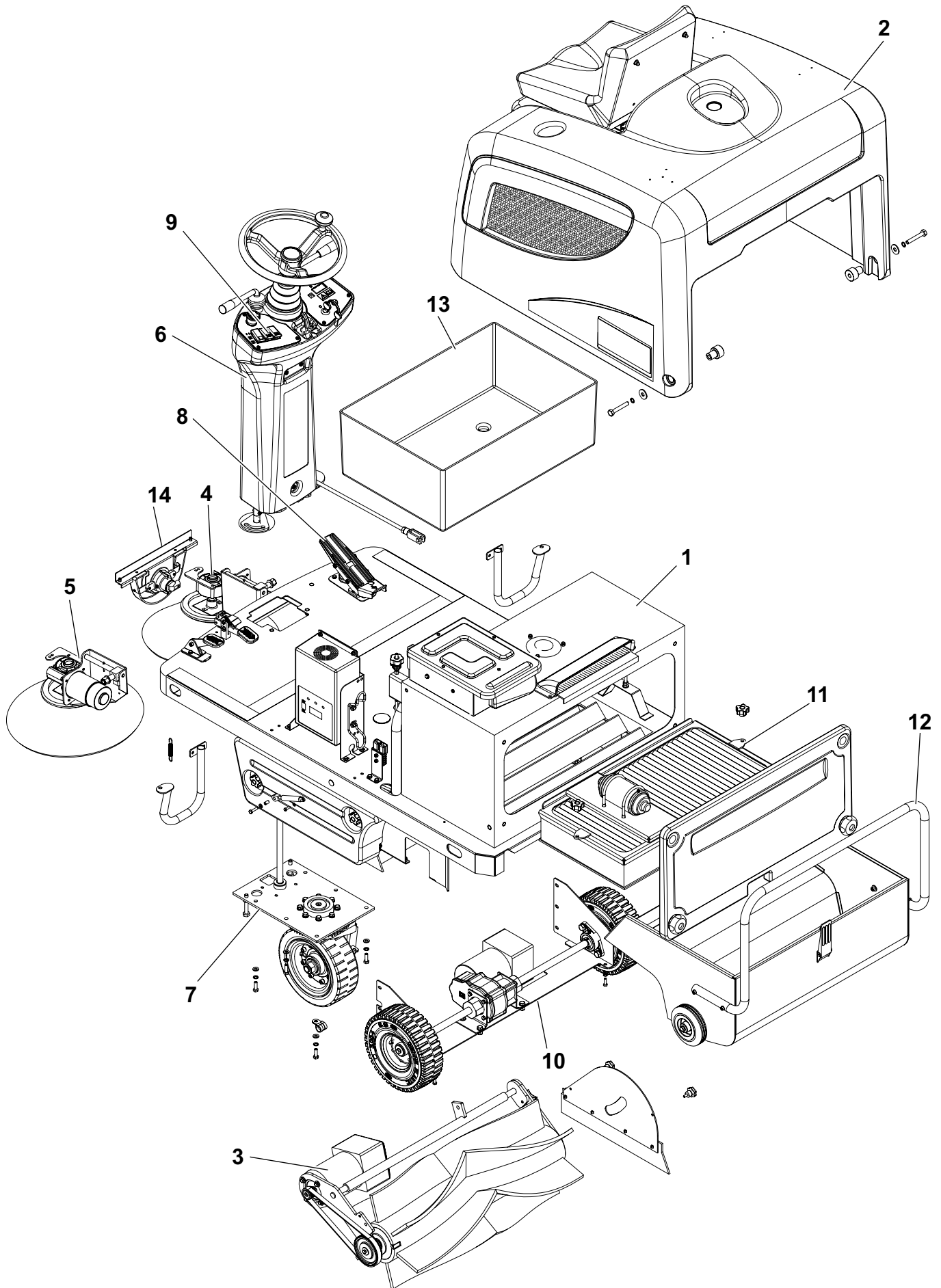
Serial No.

\* = Optional

# = Modified item No. or New item No.

[] = Not shown

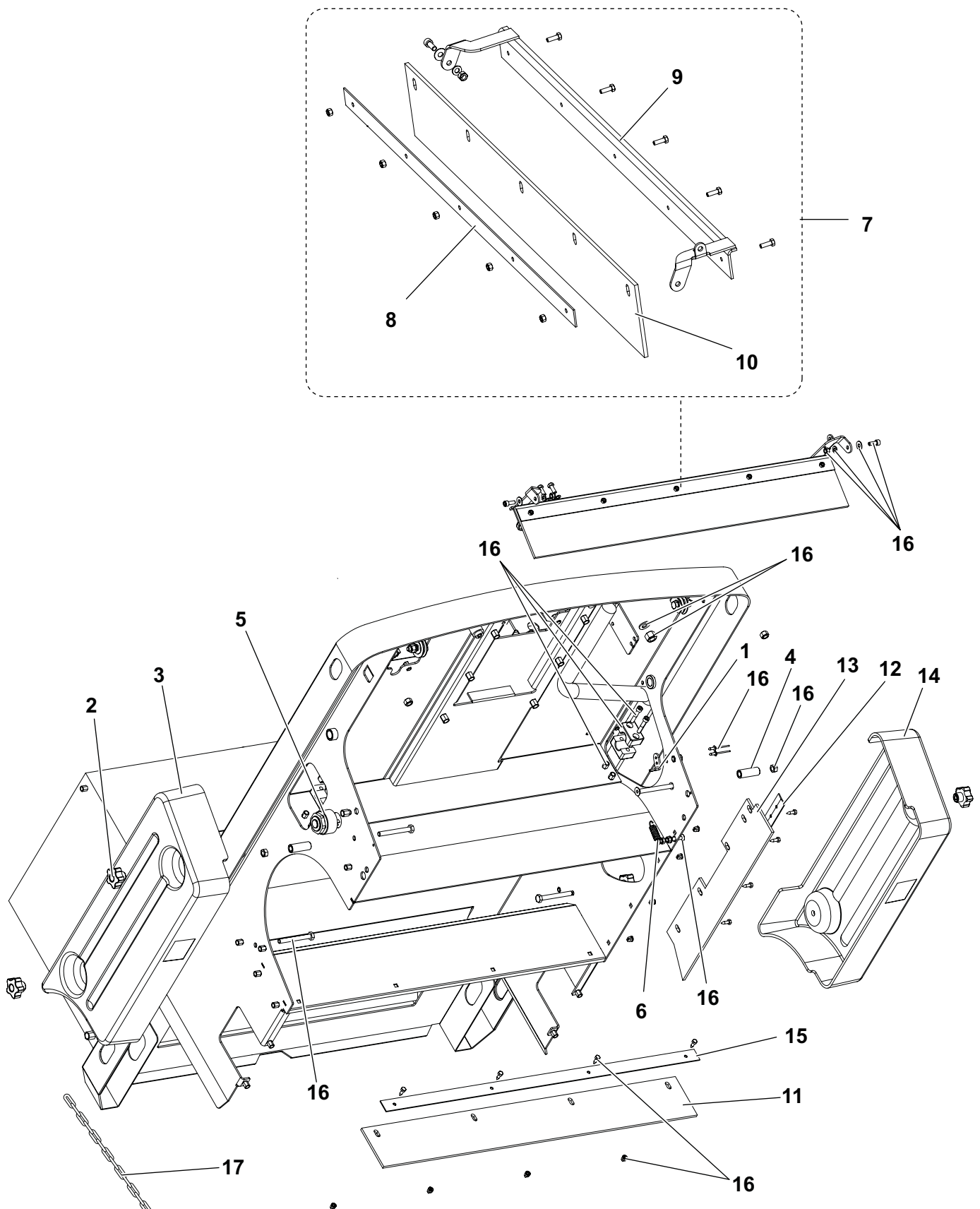
## GENERAL VIEW



**GENERAL VIEW**

KIT	ITEM	REF. NO.	QTY	DESCRIPTION	NOTE
	1		1	CHASSIS ASSEMBLY	
	2		1	BONNET SYSTEM	
	3		1	MAIN BROOM ASSEMBLY	
	4		1	RIGHT SIDE BROOM ASSY	
	5		1	LEFT SIDE BROOM ASSY	
	6		1	STEERING SYSTEM	
	7		1	FRONT WHEEL ASSEMBLY	
	8		1	PEDAL ASSEMBLIES	
	9		1	CONTROL PANELS SYSTEM	
	10		1	DRIVE SYSTEM	
	11		1	FILTER ASSEMBLY	
	12		1	WASTE CONTAINER ASSY	
	13		1	ELECTRICAL COMPONENTS	
	14		1	ACCESSORIES	

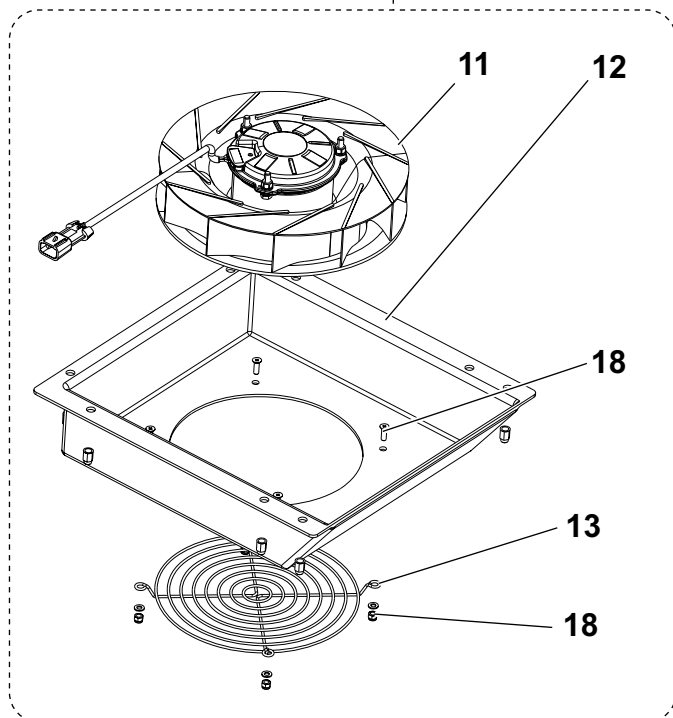
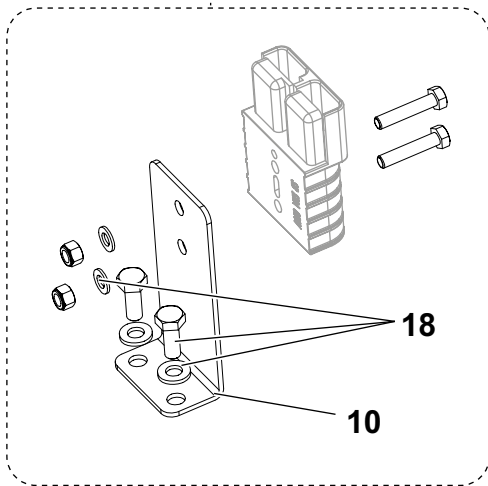
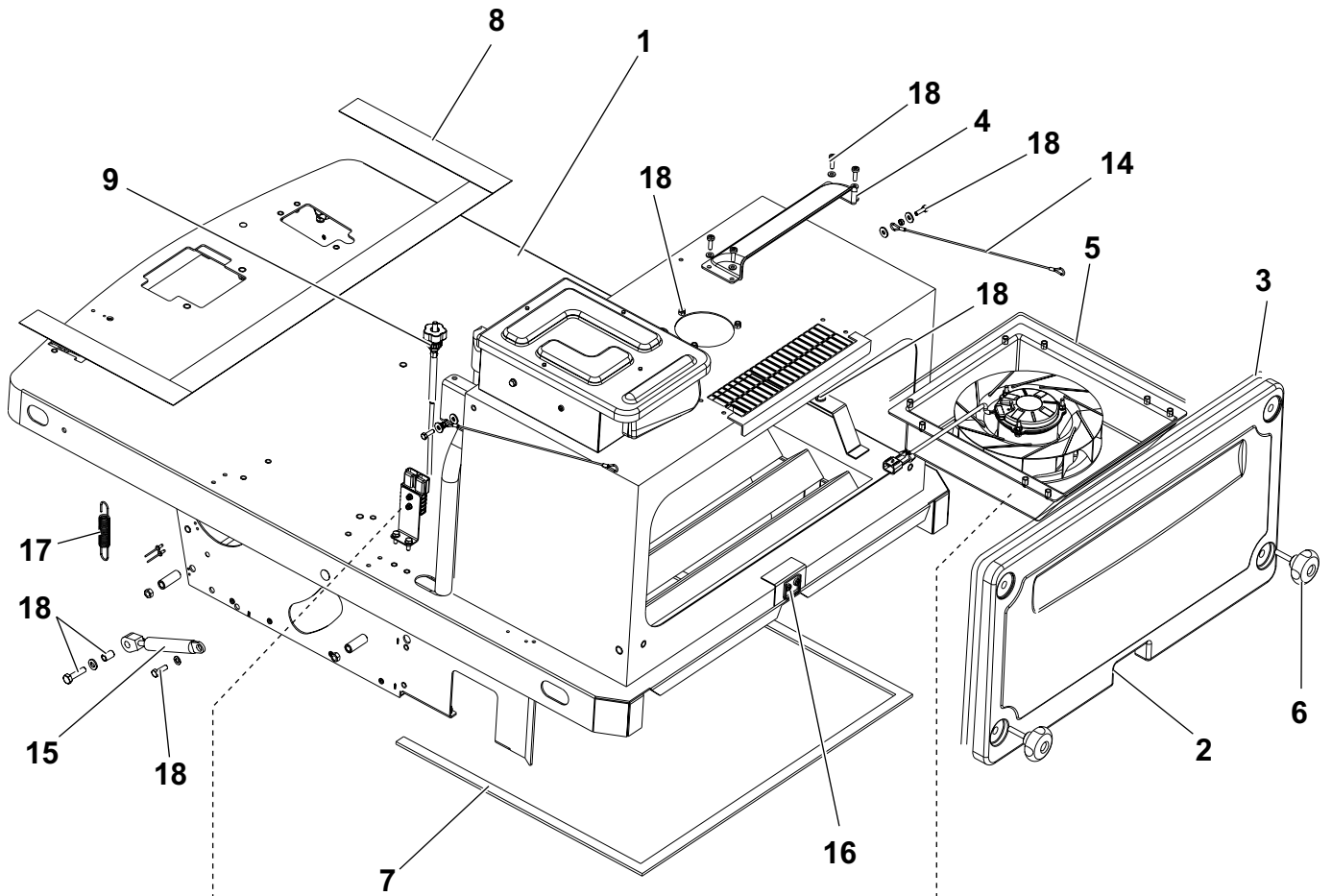
### LOWER CHASSIS SYSTEM



**LOWER CHASSIS SYSTEM**

KIT	ITEM	REF. NO.	QTY	DESCRIPTION	NOTE
	1	145 5126 000	1	BRACKET GALV. F CASING RETAINER	
	2#	9100002017	4	KNOB M8 SIP	
	3	146 2210 000	1	HATCH ROTOMOLDED RT SIDE GREY	
	4	146 2426 000	4	SPACER 9X15X42.2	
	5	146 2487 000	1	BUZZER 5-32V	
	6	145 9579 000	1	SPRING EXTENTION D.E.12 WIRE D.1.6	
	7	1464098000	1	SKIRT RAISING DEVICE KIT	
	8	145 1970 000	1	PLATE GALV. F FRONT SKIRT	
	9	1464061000	1	SKIRT RAISING DEVICE	
	10	1464062000	1	SKIRT FRONT PU BLACK	
	11	145 1971 000	1	SKIRT REAR	
	12	145 5929 000	1	PLATE GALV. F SIDE SKIRT	
	13	145 5927 000	1	SKIRT SIDE	
	14	146 2209 000	1	HATCH ROTOMOLDED LT SIDE GREY	
	15	145 1972 000	1	PLATE GALV. F REAR SKIRT	
	16	1464097000	1	HARDWARE FRAME LOWER KIT	
	17#	1466135000	1	ANTISTATIC KIT	(1466136000) INSTALLATION INSTRUCTIONS
	<b>[18]*</b>	<b>146 2744 000</b>	<b>1</b>	<b>SKIRTS NON MARKING KIT</b>	

UPPER CHASSIS SYSTEM

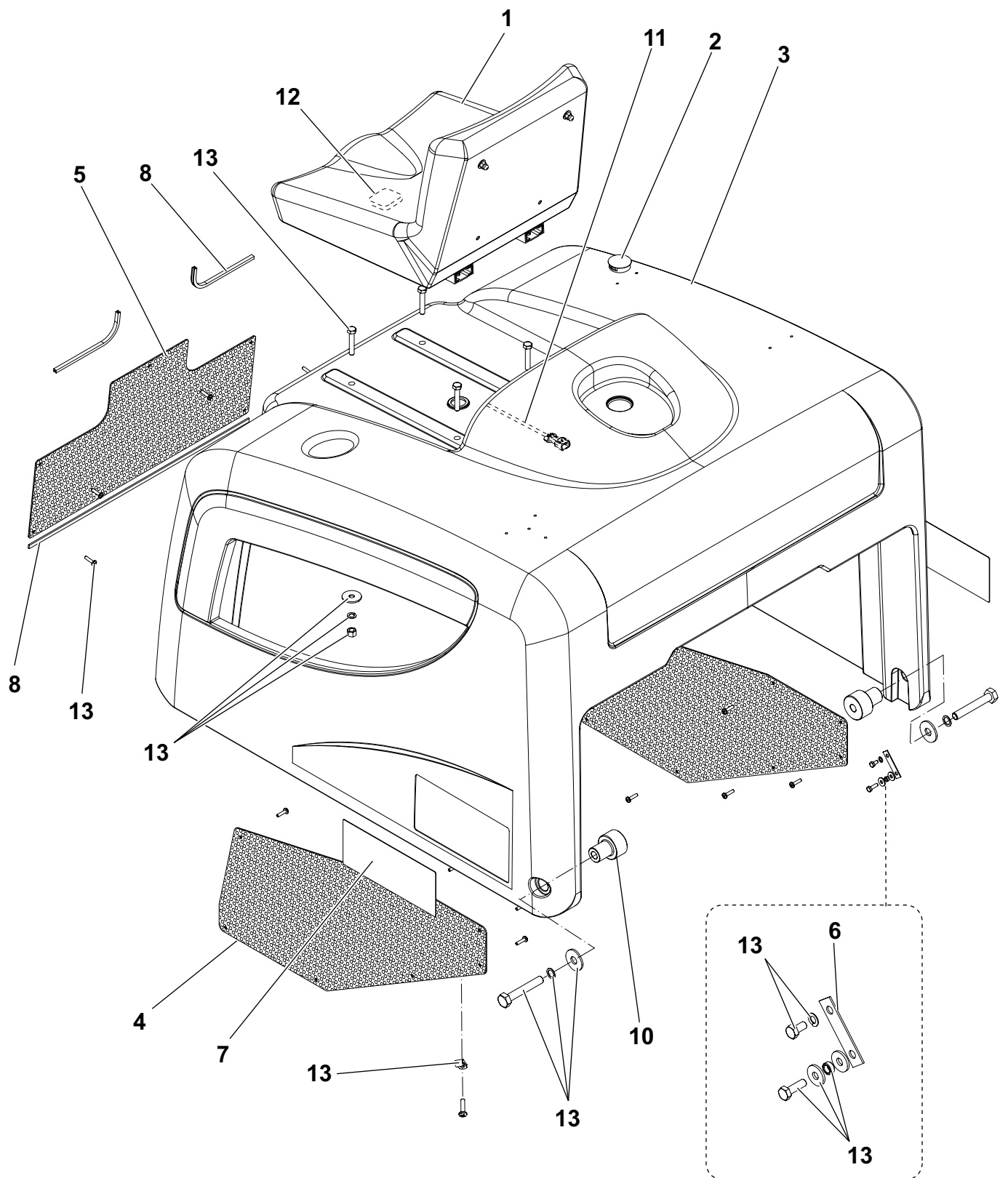




**UPPER CHASSIS SYSTEM**

KIT	ITEM	REF. NO.	QTY	DESCRIPTION	NOTE
	1	1463946000	1	CHASSIS METAL GREY	
	2	146 2211 000	1	HATCH FILTER	
	3	146 0741 000	1	GASKET BULB RUBBER L.2030MM SIP	
	4	1463218000	1	CONVEYOR AIR OUTLET POLYST.	
	5	1463173000	4	GASKET CONVEYOR	
	6	146 2427 000	2	KNOB LOBES M8X40 MALE	
	7	1463977000	1	GASKETS HOPPER KIT	
	8	146 2798 000	1	TAPE ADHESIVE ANTISLIP KIT	
	9	1463959000	1	CABLE MAIN BROOM	
	10	146 2384 000	1	BRACKET	
	11	1463146000	1	FAN RADIAL 24V	
	12	1463217000	1	CONVEYOR AIR INLET POLYST.	
	13#	1467690000	1	GRATE PROTECTION MET. RED SIP	
	14	L08812362	2	CABLE	
	15#	9100000855	1	SPRING GAS 30 KG SIP	
	16	145 9333 000	1	PLATE	
	17	145 9184 000	2	SPRING EXTENSION D.E.12 WIRE D.1.5	
	18	1464099000	1	HARDWARE FRAME UPPER KIT	

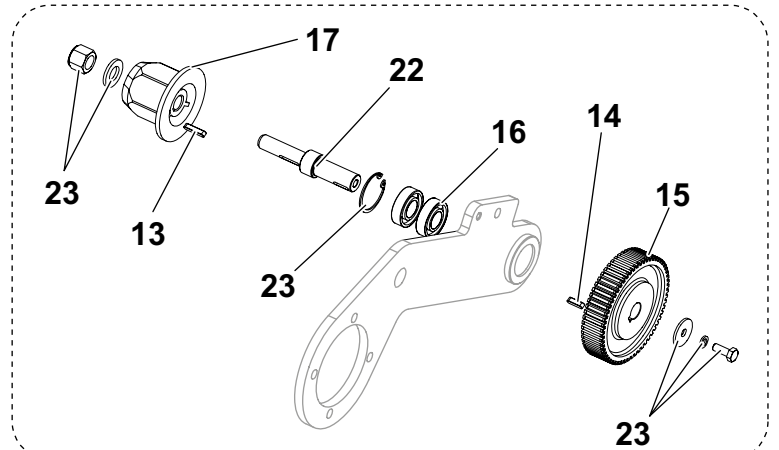
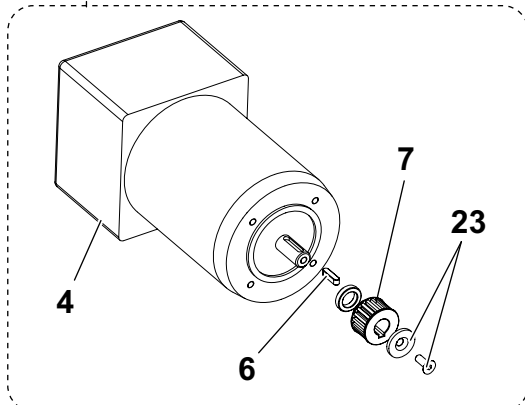
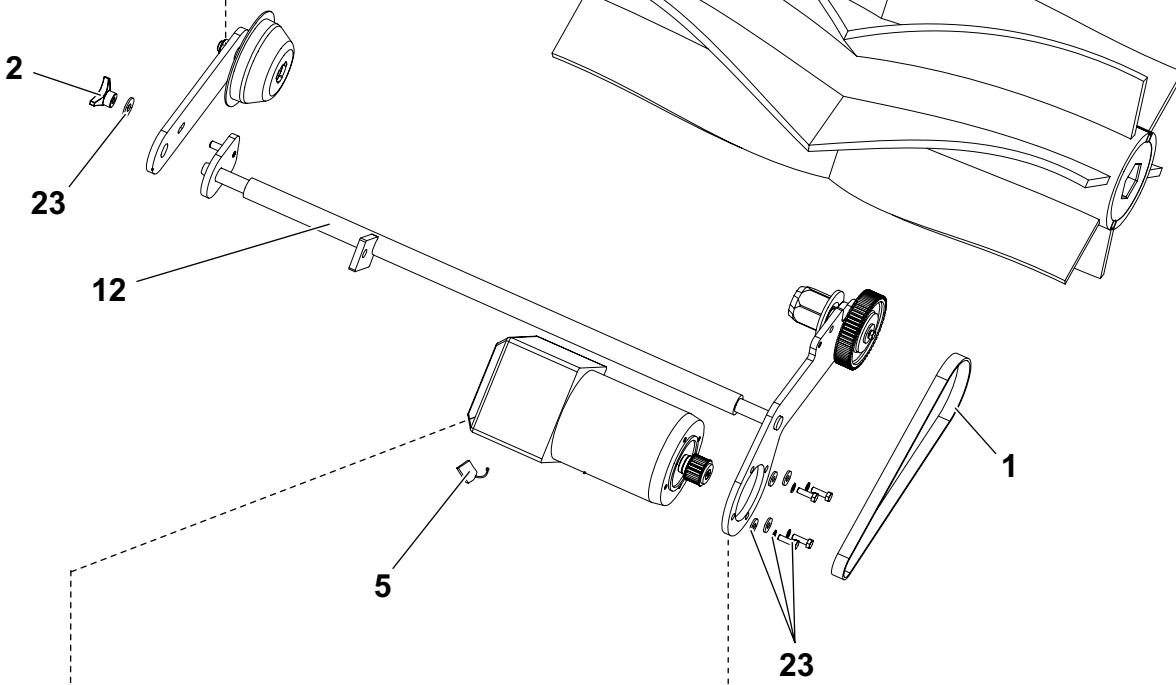
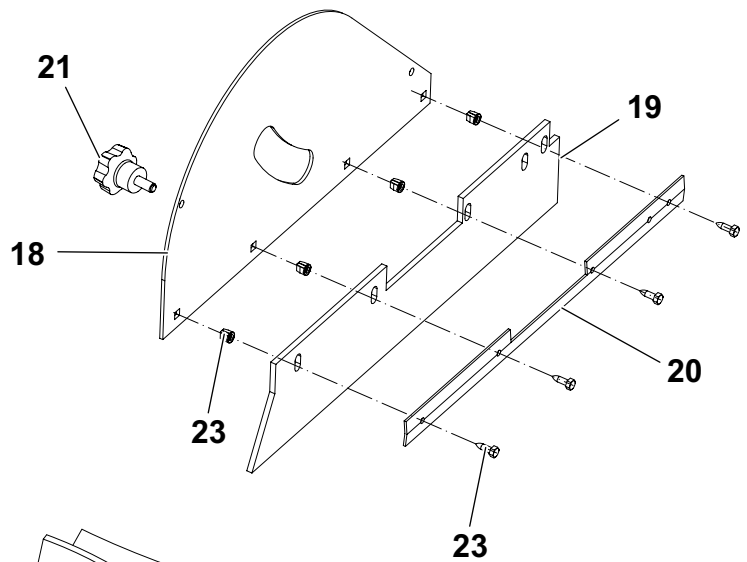
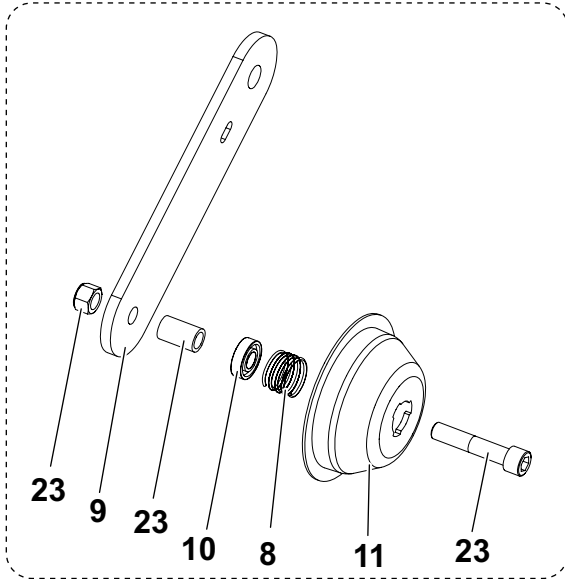
## BONNET SYSTEM



**BONNET SYSTEM**

KIT	ITEM	REF. NO.	QTY	DESCRIPTION	NOTE
	1	145 1782 000	1	SEAT W/MICROSWITCH	
	<b>1*</b>	<b>146 2900 000</b>	<b>1</b>	<b>SEAT WITH BELT</b>	
	2	1466138000	1	CAP BLACK PPL DE 42X11.5 SIP	
	3	146 2208 000	1	BONNET SEAT HOLDER	
	4	146 2421 000	2	GRATE SIDE	
	5	146 2422 000	1	GRATE FRONT	
	6	146 2424 000	2	PLATE CABLE FIXING	
	7	1464211000	1	DECALS TERRA 4300 BS KIT	
	8	146 2801 000	1	GASKET RUBBER FOR BONNET KIT	
	9	146 2803 000	1	GASKET RUBBER L.500MM SIP	
	10	146 2423 000	2	PIN	
	11	146 2488 000	1	HARNESS BONNET	
	12	146 0336 000	1	MICROSWITCH OPERATOR'S PRESENCE	
	13	1464290000	1	HARDWARE BONNET SYST KIT	

MAIN BROOM SYSTEM



**MAIN BROOM SYSTEM**

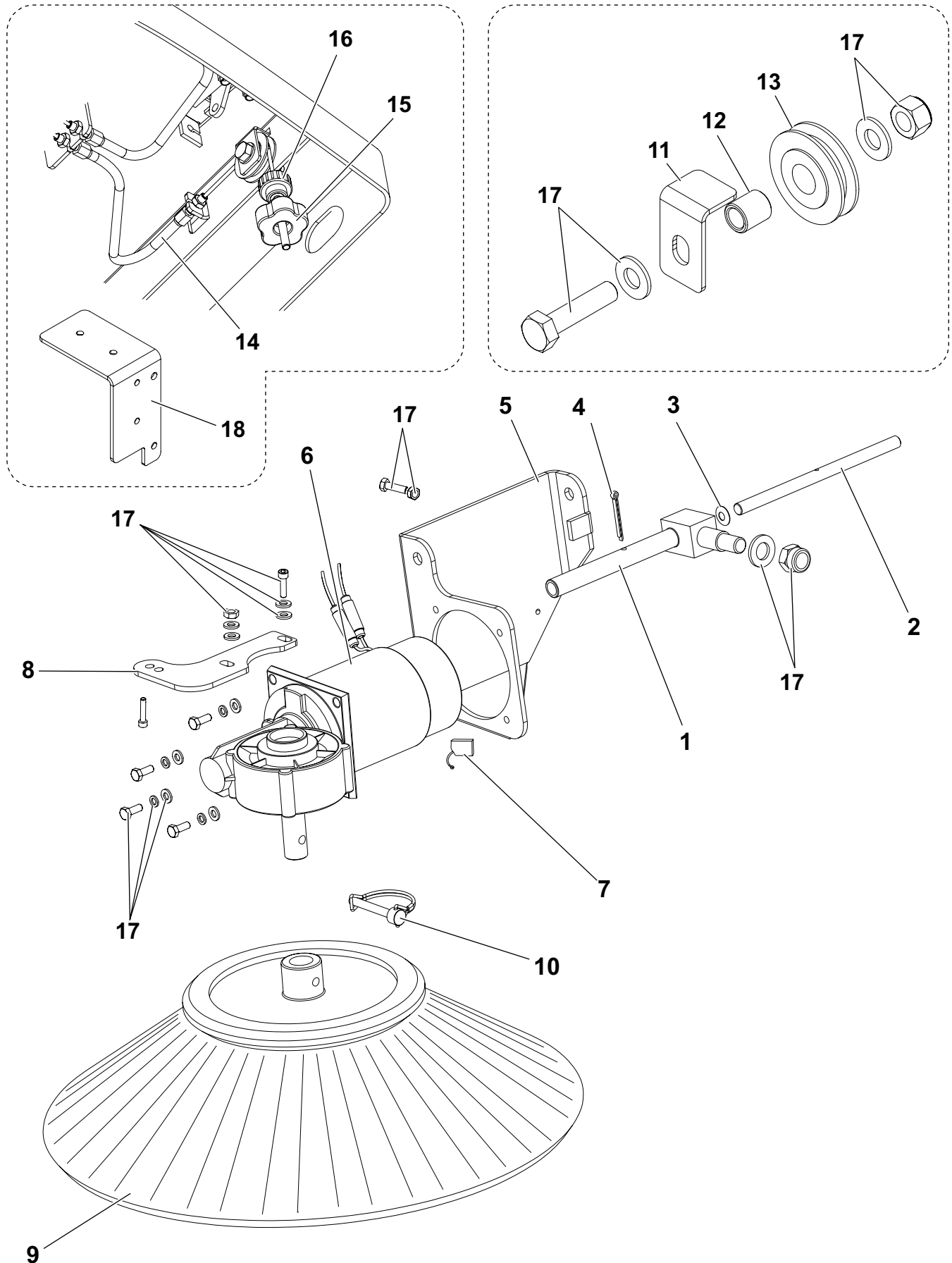
KIT	ITEM	REF. NO.	QTY	DESCRIPTION	NOTE
	1	145 1851 000	1	BELT TIMING HTD 5M 15 710	
	2	145 5035 000	1	KNOB LOBES M8 FEMALE	
	3	145 4879 000	1	BROOM MAIN 300X700 CHEVR. 6R MIX STEEL	
	<b>3*</b>	<b>145 4957 000</b>	<b>1</b>	<b>BROOM MAIN 300X700 CHEVR. 6R PPL 0.5-0.7</b>	
	<b>3*</b>	<b>145 6080 000</b>	<b>1</b>	<b>BROOM MAIN 300X700 CHEVR. 6R NATURAL</b>	
	4	146 2792 000	1	MOTOR BROOM MAIN KIT	
	5	1464432000	1	CARBON BRUSH 4 PCS SET	
	6	1466147000	1	KEY 5X5X20 UNI6604A SIP	
	7	145 1849 000	1	PULLEY HTD 20 5M 15 6F	
	8#	1467024000	1	SPRING SIP	
	9#	1467720000	1	LEVER GALV. MAIN BROOM SIP	
	10#	44905699	1	BEARING BALL 6001 2RS SIP	
	11#	1467023000	1	HUB LEFT MAIN BROOM SIP	
	12	146 2464 000	1	SHAFT MAIN BROOM	
	13	145 8197 000	1	KEY 4X4X20 UNI6604A	
	14	146 1489 000	1	KEY 4X4X15 UNI6604A	
	15	145 1850 000	1	PULLEY HTD 60 5M 15 6W	
	16#	1467637000	2	BEARING BALL 6002 2RS SIP	
	17	1463877000	1	HUB MAIN BROOM	
	18	145 1827 000	1	HATCH MAIN BROOM	
	19	145 5927 000	1	SKIRT SIDE	
	20	145 5929 000	1	PLATE GALV. F SIDE SKIRT	
	21	1466153000	2	KNOB LOBED M6X15 SIP	
	22	145 1791 000	1	PIN PHOS. F MAIN BROOM	
	23	1464291000	1	HARDWARE MAIN BROOM KIT	
	<b>[24]*</b>	<b>1464101000</b>	<b>1</b>	<b>CARPET KIT</b>	(1464103000) INSTALLATION INSTRUCTIONS



**RIGHT SIDE BROOM SYSTEM**

KIT	ITEM	REF. NO.	QTY	DESCRIPTION	NOTE
	1	145 1792 000	1	PIN GALV. F SIDE BROOM	
	2	145 1951 000	1	PIN GALV. F SIDE BROOM	
	3	145 2644 000	1	BELLEVILLE WASHER 6.2X15X0.5 DIN2093	
	4	145 9624 000	1	PIN SPLIT 3.2X20 GALV. ISO1234	
	5	1463150000	1	SUPPORT MET. GREY RT SIDE BROOM	
	6#	1467688000	1	REDUCTION GEARMOTOR 60W 24V RT KIT	
	7#	1467083000	1	CARBON BRUSH 2 PCS SET	
	8	1464355000	1	BRACKET GEAR FIXING	
	9#	1466140000	1	BROOM SIDE 180X400 MIX STEEL	
	<b>9*#</b>	<b>1466141000</b>	<b>1</b>	<b>BROOM SIDE 180X400 NATURAL</b>	
	10	1463960000	1	PIN D.6 GALV. W/CLIP	
	11	1463957000	1	BRACKET CABLE FIXING	
	12	909 5312 000	1	SPACER 8.2X12X13.5	
	13	145 2612 000	1	PULLEY	
	14	146 2475 000	1	CABLE RIGHT SIDE BROOM	
	15	146 2470 000	1	KNOB LOBES M6 FEMALE	
	16#	1466374000	1	KNOB KNURLED M6 FEMALE SIP	
	17	1464100000	1	HARDWARE SIDE BROOM KIT	

### LEFT SIDE BROOM SYSTEM

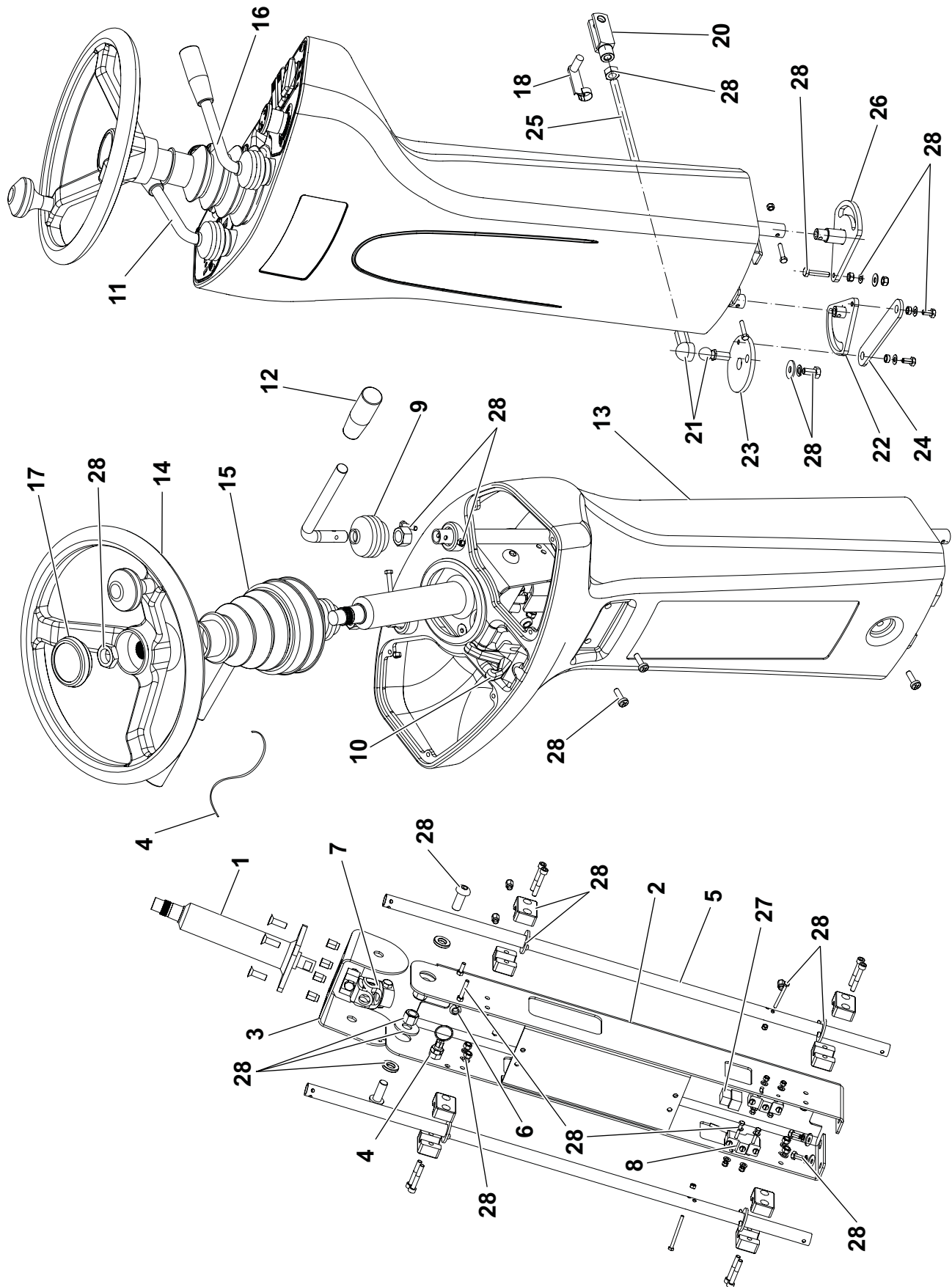




**LEFT SIDE BROOM SYSTEM**

KIT	ITEM	REF. NO.	QTY	DESCRIPTION	NOTE
	1	145 1792 000	1	PIN SIDE BROOM	
	2	145 1951 000	1	PIN SIDE BROOM	
	3	145 2644 000	1	SPRING 6.2X15X0.5	
	4	145 9624 000	1	SPLIT PIN 3X20	
	5	1463152000	1	SUPP. LEFT SIDE BROOM	
	6#	1467689000	1	REDUCTION GEARMOTOR 60W 24VLT KIT	
	7#	1467083000	1	CARBON BRUSH 2 PCS SET	
	8	1464355000	1	BRACKET GEAR FIXING	
	9#	1466140000	1	BROOM SIDE 180X400 MIX STEEL	
	<b>9*#</b>	<b>1466141000</b>	<b>1</b>	<b>BROOM SIDE 180X400 NATURAL</b>	
	10	1463960000	1	CLIP WITH PIN	
	11	1463957000	1	BRACKET CABLE FIXING	
	12	909 5312 000	1	SPACER 8.2X12X13.5	
	13	145 2612 000	1	PULLEY	
	14	146 2520 000	1	CABLE LEFT SIDE BROOM	
	15	146 2470 000	1	KNOB M6	
	16#	1466374000	1	HANDWHEEL	
	17	1464100000	1	SIDE BROOM HARDWARE KIT	
	18#	1467509000	1	BRACKET F REINFORCEMENT PLATE KIT	(1467510000) INSTALLATION INSTRUCTIONS UNTIL SN 3810154500010

STEERING SYSTEM



**STEERING SYSTEM**

KIT	ITEM	REF. NO.	QTY	DESCRIPTION	NOTE
	1#	1466525000	1	COLUMN STEERING SIP	
	2	1465515000	1	COLUMN STEERING KIT	UNTIL SN 3810172100044
	2#	1467671000	1	COLUMN STEERING KIT	STARTING FROM SN 3810172100045
	3	1465516000	1	SUPPORT STEERING COLUMN KIT	
	4	1466330000	1	PLUNGER M10 W/CABLE KIT	
	5	146 2452 000	2	SUPPORT	
	6	146 2450 000	2	TIE-ROD EYE D.8 M5X52MM	
	7#	1466319000	1	JOINT UNIVERSAL D.17 SIP	
	8#	1466506000	2	MICROSWITCH 10A 250V SIP	
	9	146 2456 000	2	BELLOWS RUBBER	
	10	146 2458 000	1	LEVER PLASTIC STEERING WHEEL ADJUSTM.	
	11	1463804000	1	LEVER RIGHT SIDE	
	12	146 2453 000	2	HANDLE CYLINDER 26X80 D.I. 14 PLAST.	
	13	146 2212 000	1	COVER.FRONT	
	14	146 2106 000	1	WHEEL. STEERING D.320	
	15	146 2457 000	1	BELLOW RUBBER	
	16	1463803000	1	LEVER LEFT SIDE	
	17#	1467031000	1	CAP SIP	
	18	145 4540 000	1	SPRING PIN M10X40 GALV.	
	20	145 9666 000	1	CLEVIS M10X40 GALV. DIN71752	
	21	145 9769 000	2	BALL JOINT M10	
	22#	1466531000	1	LEVER MAIN BROOM SIP	
	23#	1467696000	1	PLATE GALV. MAIN BROOM SIP	
	24	146 2467 000	1	LEVER MAIN BROOM	
	25	146 2468 000	1	ROD THREADED M10X410 DIN975	
	26#	1466532000	1	LEVER SIDE BROOM SIP	
	27	146 1646 000	1	RELAY 24V	
	28	1464292000	1	HARDWARE STEERING KIT	

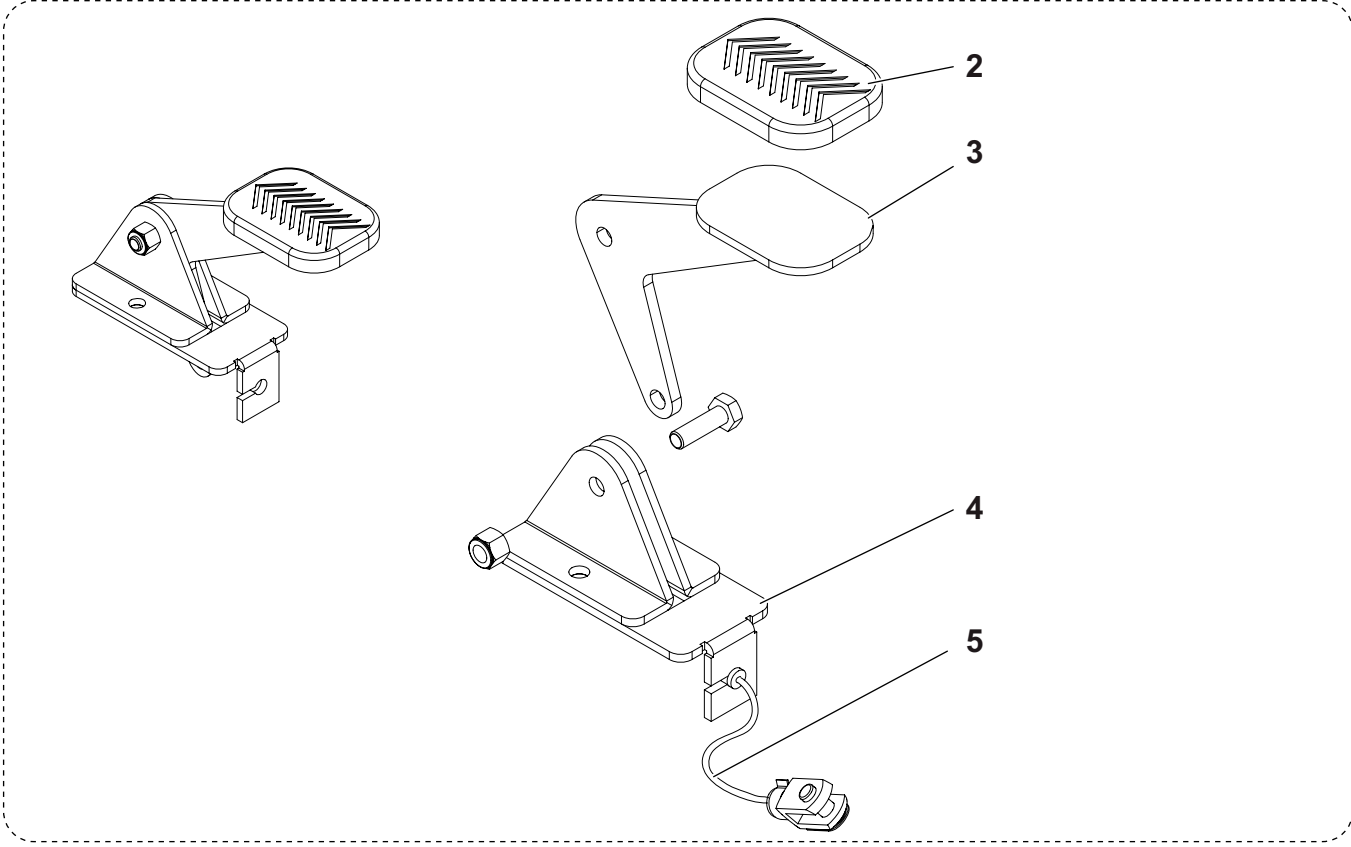


**FRONT WHEEL SYSTEM**

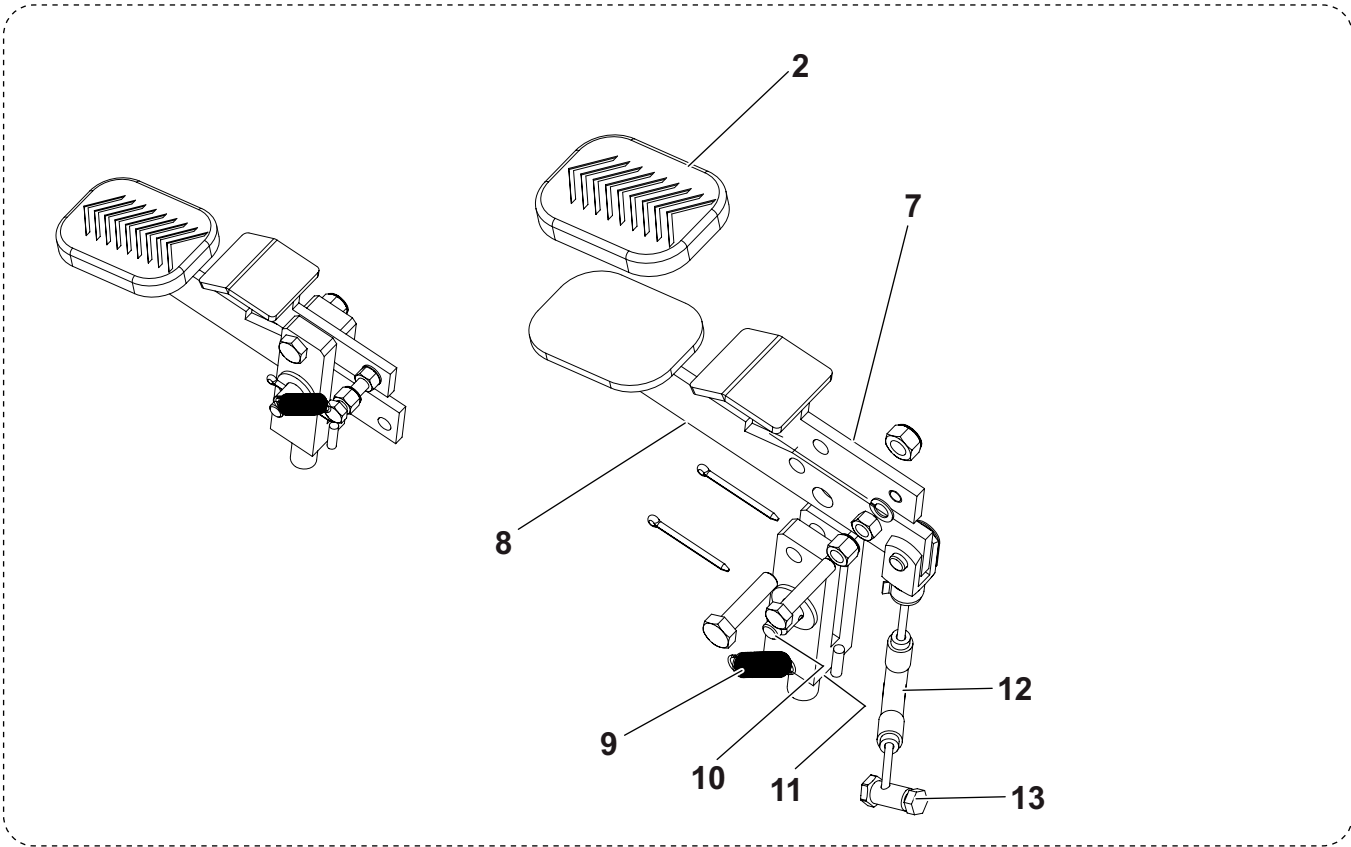
KIT	ITEM	REF. NO.	QTY	DESCRIPTION	NOTE
	1	146 0960 000	1	SHAFT STEERING	UNTIL SN 3810172100044
	1#	1467668000	1	SHAFT STEERING	STARTING FROM SN 3810172100045
	2	145 1747 000	1	FLANGE GALV. F BRAKE FRONT WHEEL	
	3#	9100001345	1	RING D 17 UNI7435 10 PCS SET	UNTIL SN 3810172100044
	4	145 2357 000	2	BEARING BALL 6207 2RS	
	5	146 2442 000	1	WHEEL FRONT	
	<b>5*</b>	<b>146 2745 000</b>	<b>1</b>	<b>WHEEL FRONT NON MARKING</b>	
	6	146 2438 000	1	SPACER	
	7	146 2437 000	1	SUPPORT FRONT WHEEL	
	8	146 2441 000	1	BLOCK FOR BRAKE	
	9	146 2440 000	1	PIN FRONT WHEEL	
	10	146 2439 000	1	PLATE SUPPORT STEERING	UNTIL SN 3810172100044
	10#	1467670000	1	PLATE SUPPORT STEERING	STARTING FROM SN 3810172100045
	11	146 2443 000	1	CHAIN ROLLER 3/8-73 P.+HL+CL	
	12	145 2585 000	1	WASHER METAL F STEERING SUPPORT FIX.	
	13	145 2714 000	1	SPROCKET T60 3/8	
	14	145 2587 000	1	FLANGE	
	15	145 2586 000	1	FLANGE	
	16	145 9505 000	1	BUSHING BBB 17x25x25	UNTIL SN 3810172100044
	17#	1467674000	1	BEARING SELF ALIGNING W/HOUSING KIT	STARTING FROM SN 3810172100045
	18	1464592000	1	SHOES BRAKE KIT	
	19#	1465612000	1	WHEEL CHAIN TENSIONER KIT	STARTING FROM S/N 3810134500053
	20	1464293000	1	HARDWARE FRONT WHEEL KIT	

PEDAL SYSTEM

1



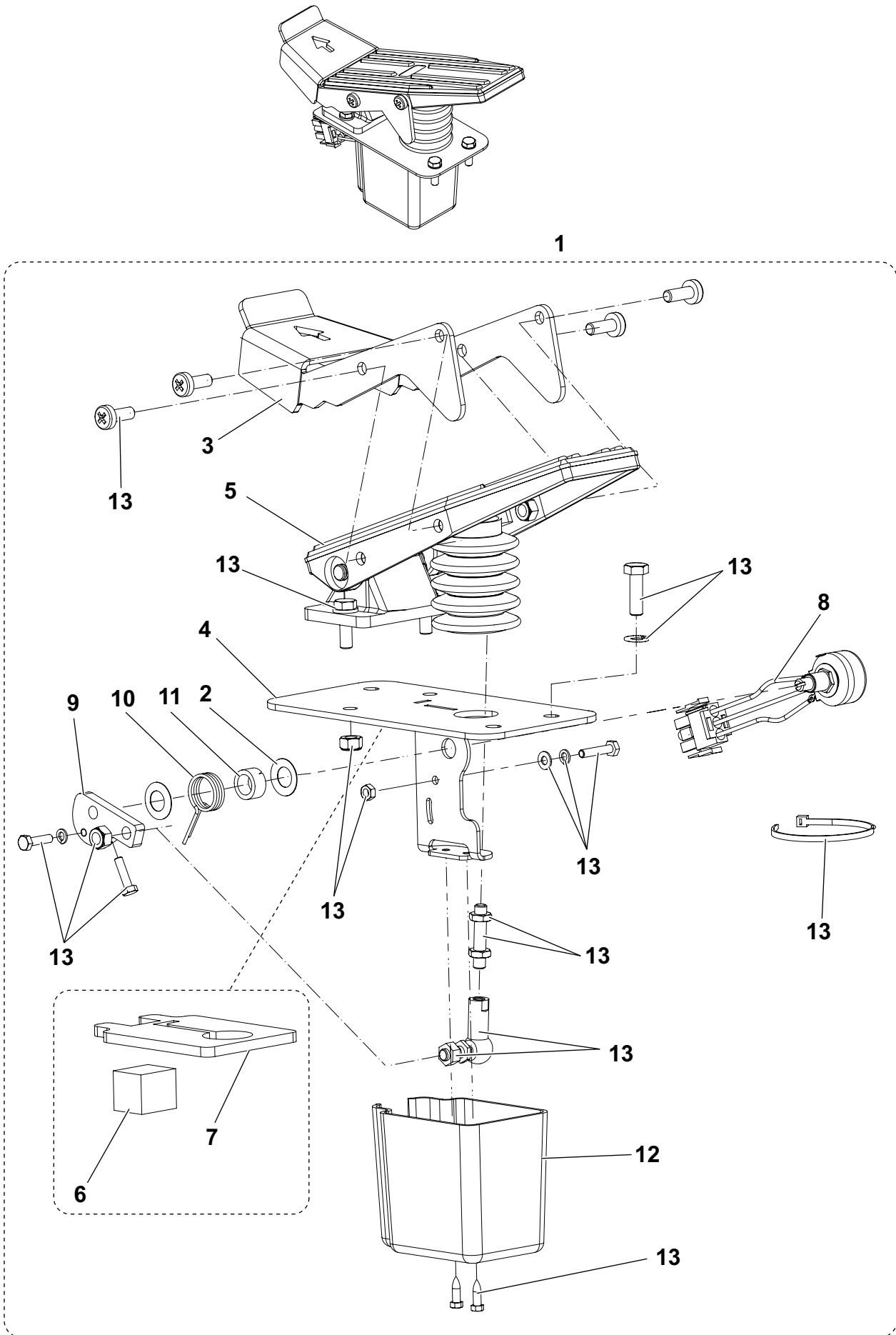
6



**PEDAL SYSTEM**

KIT	ITEM	REF. NO.	QTY	DESCRIPTION	NOTE
	1	146 2852 000	1	PEDAL SKIRT RAIS.DEVICE KIT	
	2	145 8478 000	2	COVER PEDAL	
	3	145 1841 000	1	PEDAL GALV. F SKIRT RAIS.DEVICE	
	4	145 1839 000	1	SUPPORT GALV. F PEDAL SKIRT RAIS.DEVICE	
	5	146 2477 000	1	CABLE SKIRT RAIS.DEVICE	
	6	146 2853 000	1	PEDAL BRAKE KIT	
	7	145 3490 000	1	PEDAL BRAKE	
	8	145 3472 000	1	PEDAL	
	9	145 9290 000	1	SPRING EXTENTION D.E.8.2 WIRE D.0.8	
	10	145 2541 000	1	PIN GALV. F PEDAL	
	11	145 2540 000	1	SUPPORT PEDAL	
	12	146 2463 000	1	CABLE BRAKE	
	13	146 2444 000	1	CLAMP CABLE	

PEDAL SYSTEM

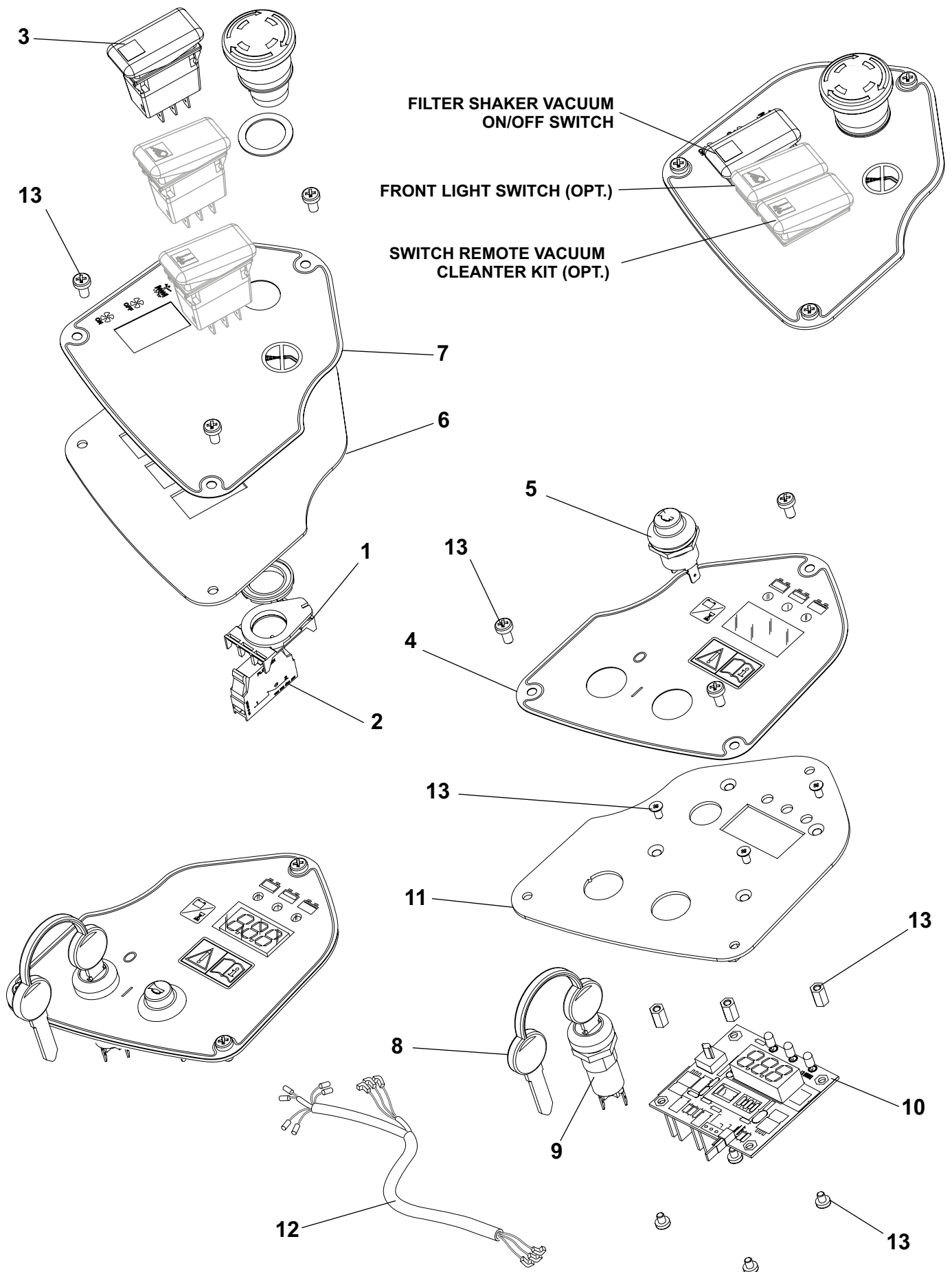




**PEDAL SYSTEM**

KIT	ITEM	REF. NO.	QTY	DESCRIPTION	NOTE
	1	146 2952 000	1	PEDAL SPEED CONTROL KIT	
	2	145 1147 000	2	BELLEVILLE WASHER 10.2X18.8X0.35 DIN2093	
	3	146 2929 000	1	BRACKET.SPEED CONTR.PEDAL	
	4	146 2930 000	1	SUPPORT.SPEED CONTR.PEDAL	
	5#	1467758000	1	PEDAL SPEED CONTROL SIP	
	6	146 2062 000	1	GASKET ADHESIVE 20X20 L. 24MM	
	7	146 2315 000	1	GASKET. PEDAL	
	8	146 2480 000	1	HARNESS DRIVE PEDAL	
	9	146 2882 000	1	LEVER POTENTIOMETER	
	10#	1467038000	1	SPRING TORSION WIRE D.1.5 D.I.16.5 SIP	
	11	146 2884 000	1	SPACER D10.3X15 H.7.5 PLASTIC	
	12	145 4086 000	1	COVER PEDAL PLASTIC	
	13	909 6834 000	1	HARDWARE.PEDAL FIXING KIT	

CONTROL PANELS SYSTEM



**CONTROL PANELS SYSTEM**

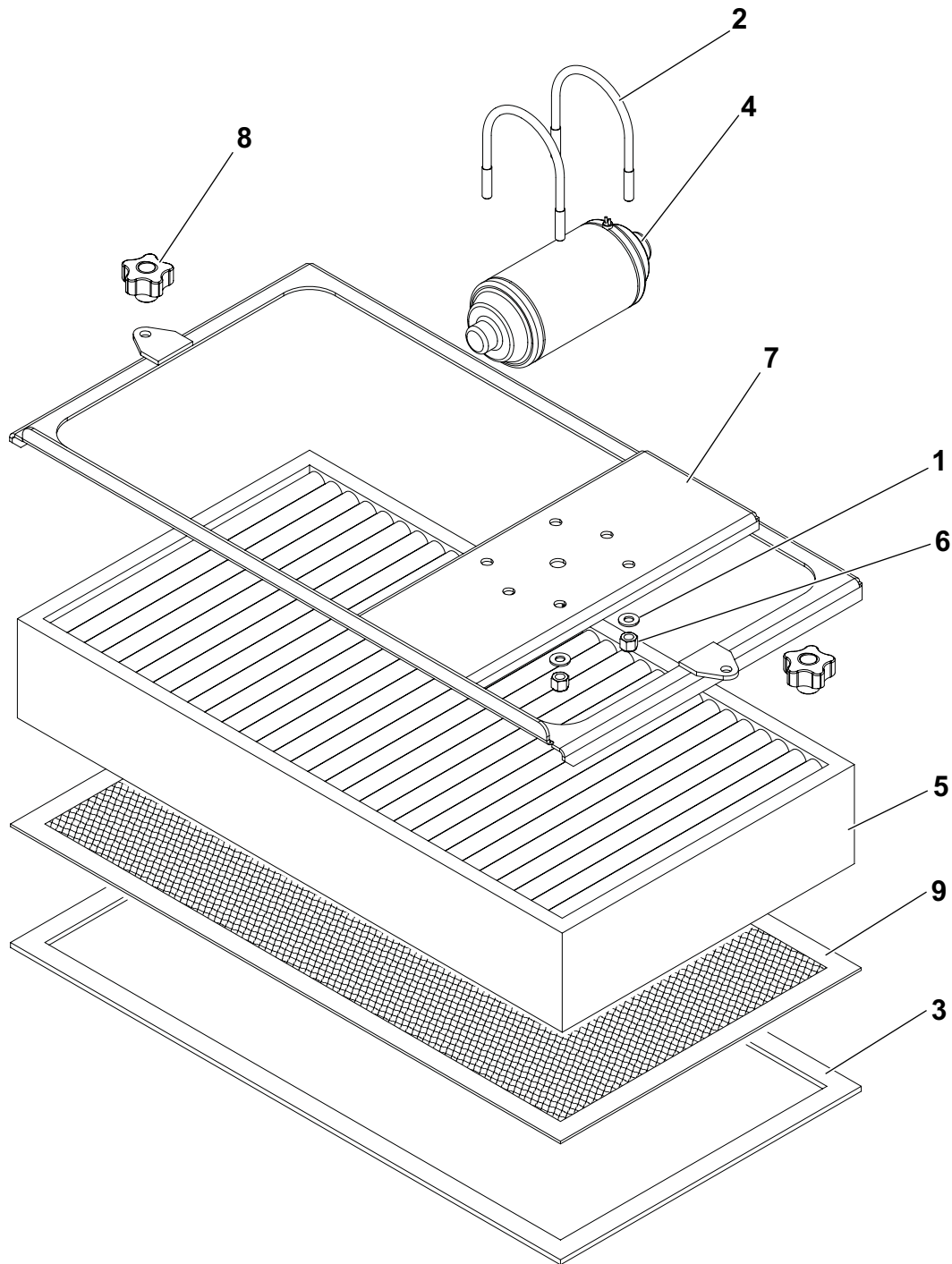
KIT	ITEM	REF. NO.	QTY	DESCRIPTION	NOTE
	1#	1466683000	1	SWITCH EMERGENCY KIT	
	2	146 1728 000	1	CONTACT BLOCK NC RED	
	3	146 2532 000	1	SWITCH	
	4	1463989000	1	DECAL CONTROL PANEL RT	
	5	145 9678 000	1	SWITCH HORN	
	6	146 2460 000	1	CONTROL PANEL LEFT	
	7	1463987000	1	DECAL CONTROL PANEL LT	
	8	146 2887 000	1	KEY 2 PCS	
	9#	9100001354	1	SWITCH IGNITION STARTER WITH CAP SIP	
	10	1466161000	1	CONTROLLER MAIN MACHINE KIT	(1465914000) INSTALLATION INSTRUCTIONS
	11	146 2459 000	1	CONTROL PANEL RIGHT	
	12	146 2489 000	1	HARNESS CONTROL PANEL	
	13	1464294000	1	HARDWARE CONTROL PAN.KIT	



**DRIVE SYSTEM**

KIT	ITEM	REF. NO.	QTY	DESCRIPTION	NOTE
	1	145 9776 000	2	KEY 6X6X35 UNI6604A	
	2	1463951000	1	BRIDGE REAR WHEELS	
	3	146 2435 000	2	SUPPORT DRIVE MOTOR	
	4#	1467558000	2	WHEEL CPL 3.00/4 SOLID RUBBER KIT	
	<b>4*</b>	<b>146 2746 000</b>	<b>1</b>	<b>WHEEL REAR NON MARKING</b>	
	5	1463228000	1	REDUCTION GEARMOTOR KIT	
	7#	1467697000	2	BEARING SELF ALIG. UCFL204 W/HOUSING SIP	
	8	L08603949	1	CARBON BRUSH 4 PCS SET	
	9	1464295000	1	HARDWARE DRIVE SYST.KIT	

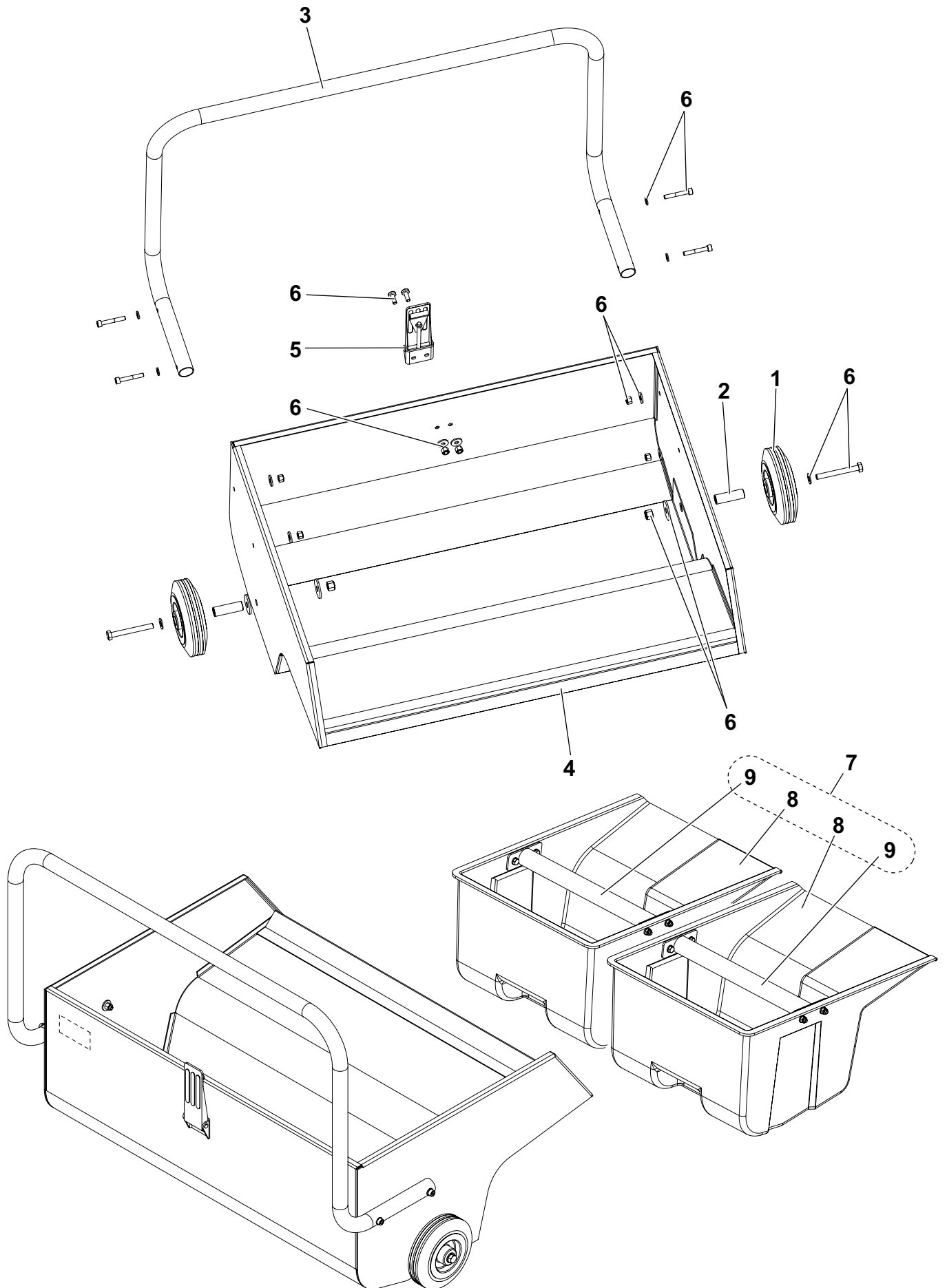
### DUST CONTROL SYSTEM



**DUST CONTROL SYSTEM**

KIT	ITEM	REF. NO.	QTY	DESCRIPTION	NOTE
	1#	33023208	1	WASHER PLAIN M8 ISO7089 10 PCS SET	
	2	1465997000	2	COLLAR METAL U M8 SIP	
	3	146 2729 000	1	GASKET ADHESIVE FOR FILTER KIT	
	4	146 2795 000	1	MOTOR FILTER SHAKER KIT	
	5	1463523000	1	FILTER PAPER PANEL	
	<b>5*</b>	<b>145 6013 000</b>	<b>1</b>	<b>FILTER POLYESTER ANTISTATIC</b>	
	<b>5*</b>	<b>146 2759 000</b>	<b>1</b>	<b>FILTER POLYESTER</b>	
	6	33023207	1	NUT LOCK HEX M8 ISO7040 10 PCS SET	
	7	146 2428 000	1	FRAME FILTERSHAKER MOTOR	
	8#	9100002017	2	KNOB M8 SIP	
	<b>9*</b>	<b>146 2731 000</b>	<b>1</b>	<b>PRE-FILTER</b>	

WASTE CONTAINER SYSTEM

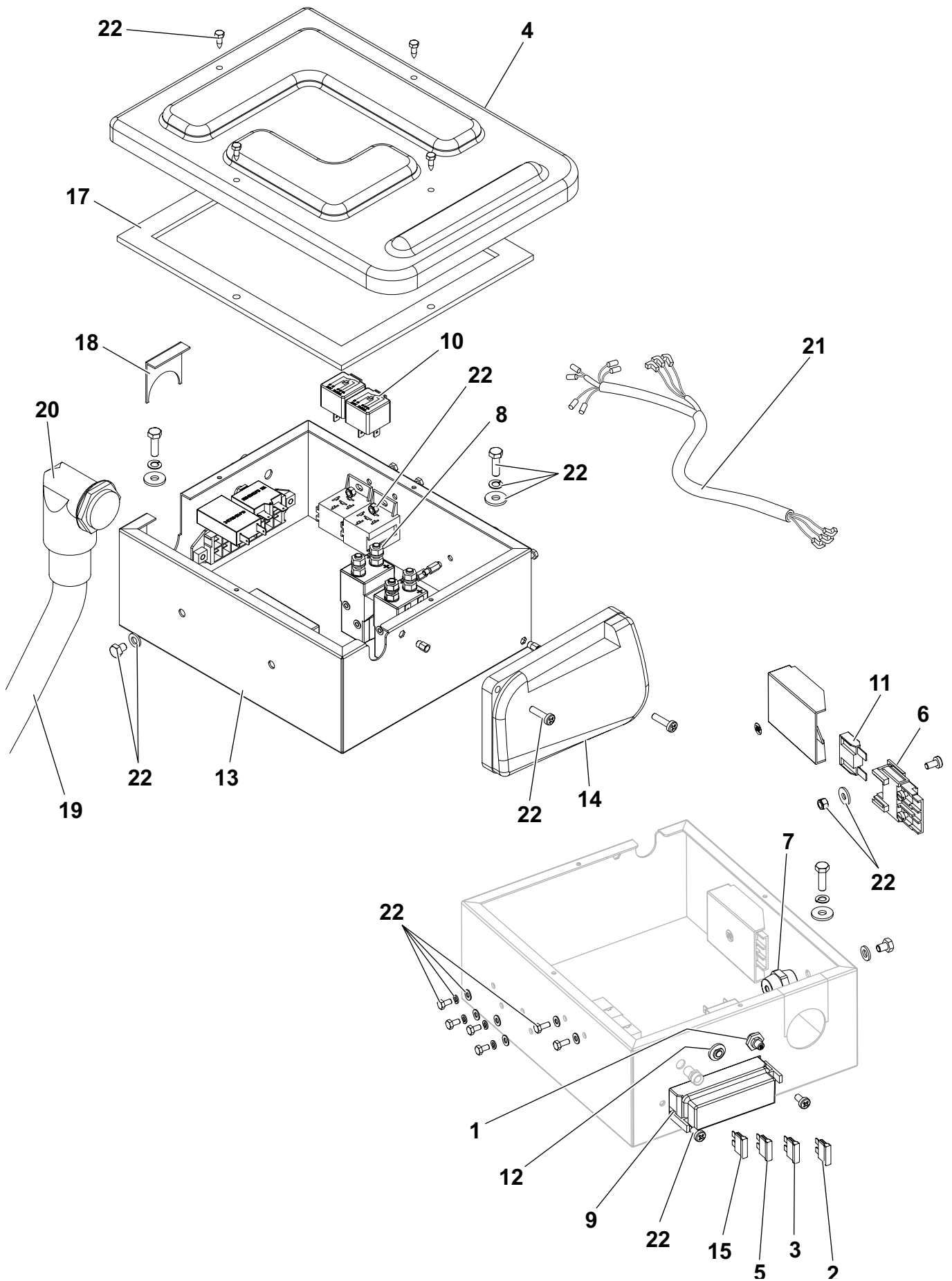




**WASTE CONTAINER SYSTEM**

KIT	ITEM	REF. NO.	QTY	DESCRIPTION	NOTE
	1	145 5116 000	2	WHEEL	
	2	145 5118 000	2	BUSH D.10X15 H.47 GALV. WHEEL	
	3	1463958000	1	HANDLE DIRT CONTAINER	
	4	1463948000	1	CONTAINER WASTE MET. GREY	
	5	145 9330 000	1	HOOK	
	6	1464296000	1	HARDWARE WASTE CONT.KIT	
	<b>7*</b>	<b>1463981000</b>	<b>1</b>	<b>MINI CONTAINERS KIT</b>	
	8	1463973000	2	MINI CONTAINER DIRT	
	9	1464212000	2	HANDLE MINI CONTAINER	

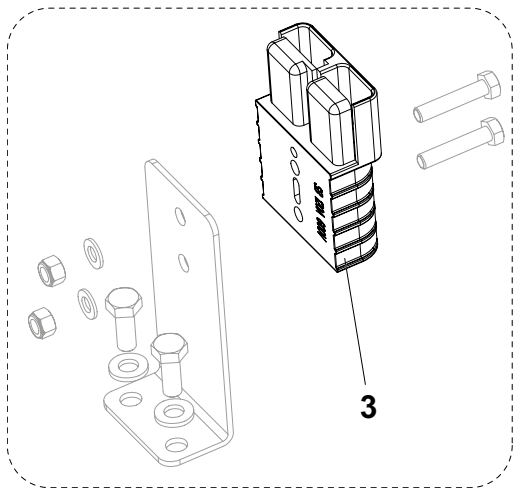
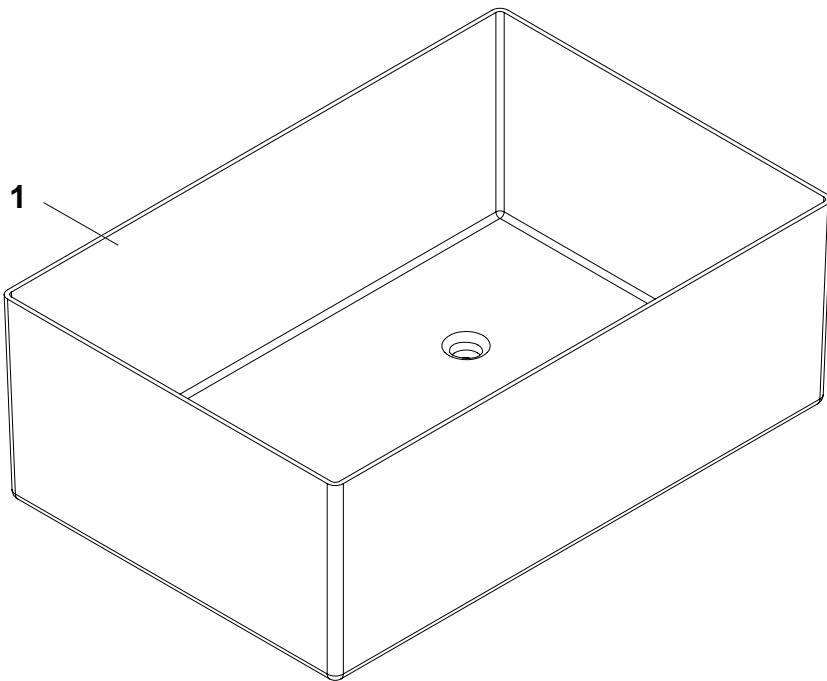
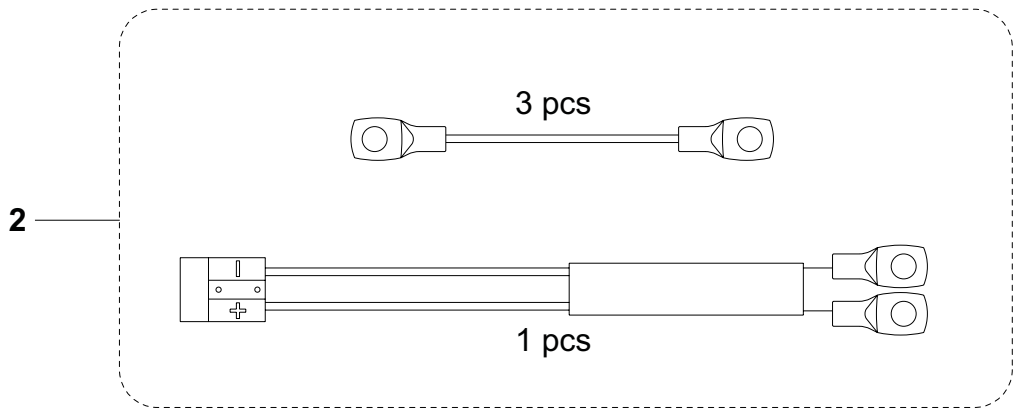
### ELECTRICAL COMPONENTS SYSTEM



**ELECTRICAL COMPONENTS SYSTEM**

KIT	ITEM	REF. NO.	QTY	DESCRIPTION	NOTE
	1	L08812633	1	CIRCUIT BREAKER 10A	
	2	145 8513 000	1	FUSE BLADE 30A UL	
	3	145 0227 000	1	FUSE BLADE 40A	
	4	146 2484 000	1	COVER BOX ELEC.COMPONENTS	
	5	145 8514 000	2	FUSE BLADE 25A	
	6	146 0659 000	1	HOLDER MAXIFUSE	
	7	146 0708 000	1	INSULATOR M6 WHITE	
	8	146 0719 000	1	SWITCH ELECTROMAGNETIC 24V	
	9	146 1170 000	1	HOLDER FUSE 8 WAYS	
	10	145 3712 000	2	RELAY 24V	
	11	146 2486 000	1	FUSE BLADE 70A	
	12	909 5706 000	1	CIRCUIT BREAKER 30A	
	13	1463962000	1	BOX ELECTRIC COMPONENTS	
	14#	1466173000	1	CONTROLLER DRIVE WHEEL SIP	
	15	145 9853 000	2	FUSE BLADE 15A	
	17	146 2802 000	1	GASKET ELECTRIC BOX	
	18	1463961000	1	PLATE FOR HARNESS	
	19#	1464164000	1	HARNESS MACHINE BATTERY	
	20	1463157000	1	GROMMET D.15X22	
	21	1464165000	1	HARNESS ELECTRONIC BOX BATTERY	
	22	1464297000	1	HARDWARE WIRING FIX.KIT	

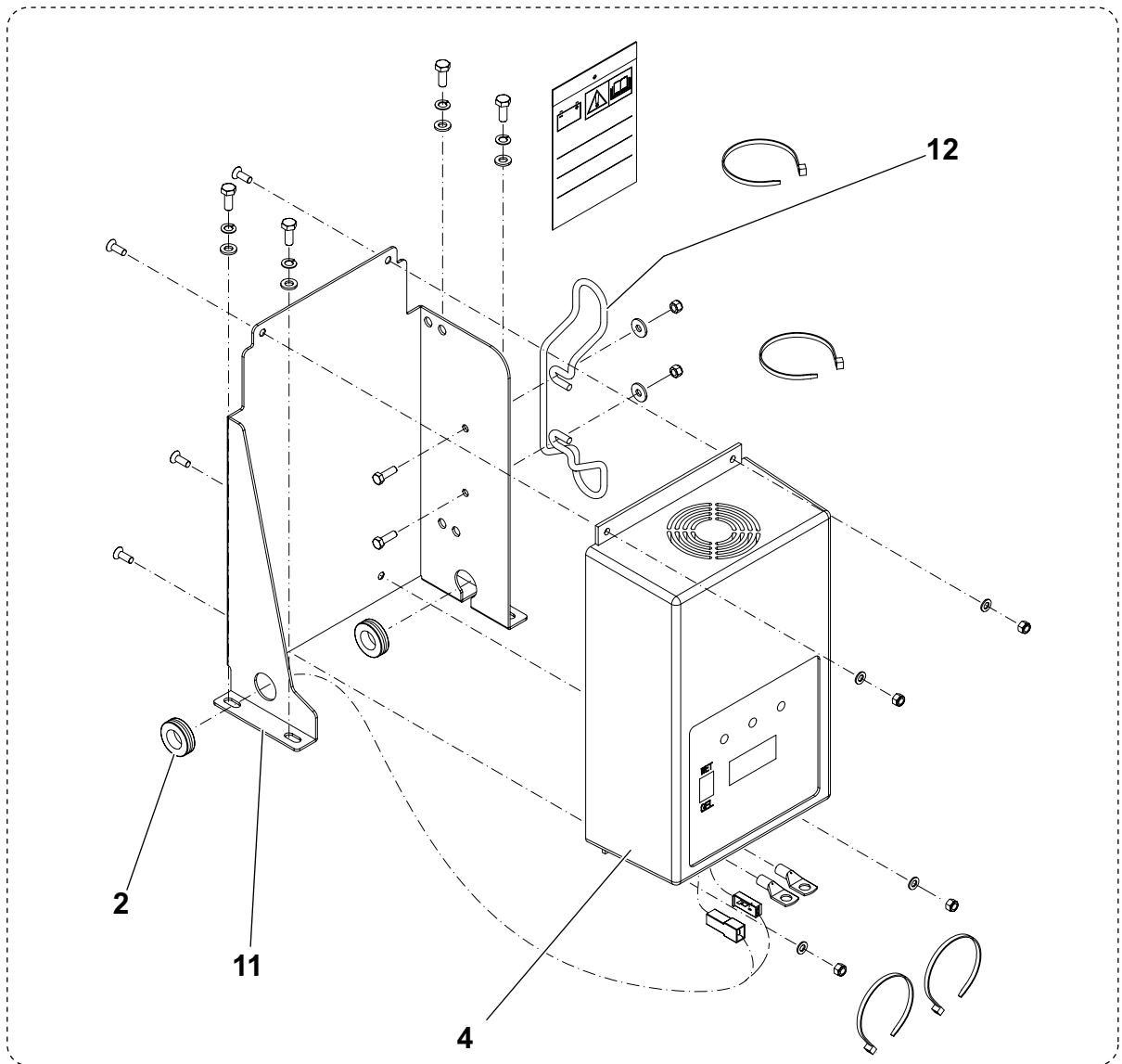
ELECTRICAL COMPONENTS



**ELECTRICAL COMPONENTS**

KIT	ITEM	REF. NO.	QTY	DESCRIPTION
	1	145 4692 000	1	CONTAINER BATTERY
	<b>1*</b>	<b>146 2791 000</b>	<b>1</b>	<b>BOX BATTERY KIT</b>
	2	146 2790 000	1	HARNESS BATTERY
	3	146 1986 000	1	CONNECTOR 120A

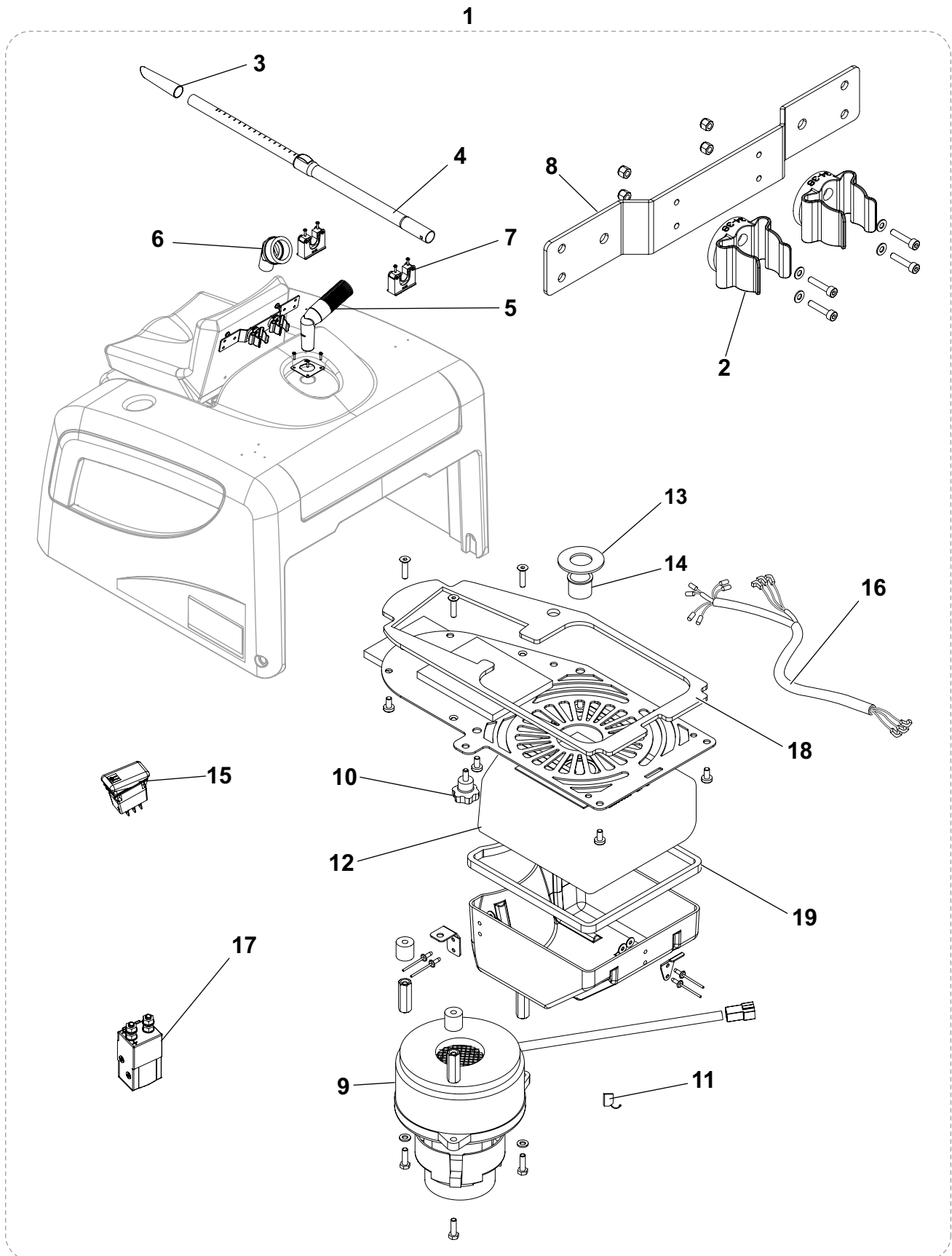
# BATTERY CHARGER SYSTEM



**BATTERY CHARGER SYSTEM**

KIT	ITEM	REF. NO.	QTY	DESCRIPTION	NOTE
	1	146 2823 000	1	CHARGER BATT. ON BOARD 24V 25A 115V KIT	
	2	145 1237 000	2	GROMMET D.22	
	4	146 2132 000	1	CHARGER BAT. CPL. 110V	
	[5]	146 2141 000	1	FUSE 15A	
	[6]	146 2140 000	1	CARD ELECTRONIC BATTERY CHARGER	
	[7]#	1466172000	1	CONTROLLER DISPLAY SIP	
	[8]	146 2145 000	1	CABLE	
	[9]	146 2142 000	1	FAN COOLING	
	[10]	146 0801 000	1	SWITCH WET/GEL	
	11	146 2311 000	1	BRACKET	
	12#	1466317000	1	CABLE SUPPORT KIT	

## VACUUM CLEANER

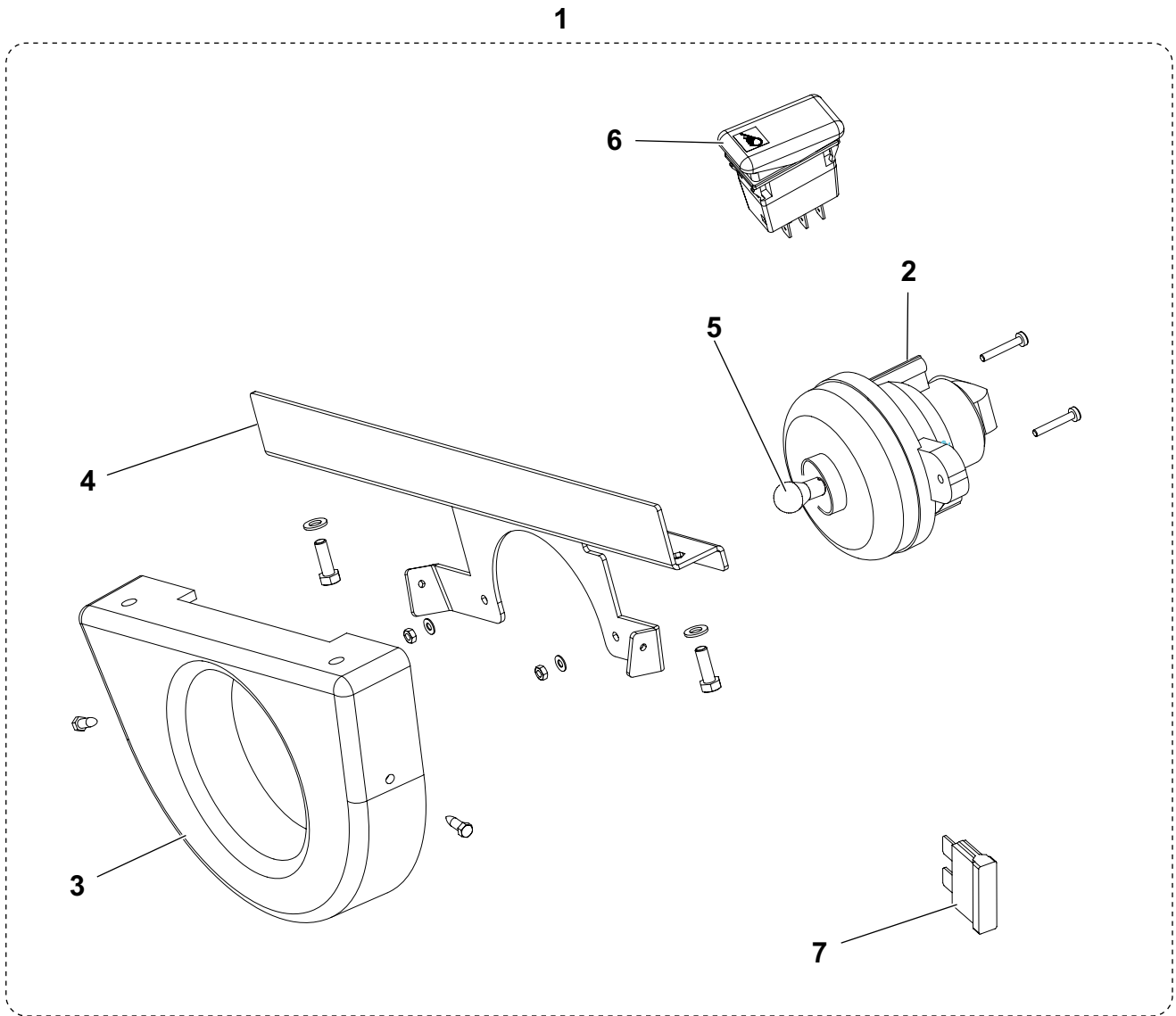




**VACUUM CLEANER**

KIT	ITEM	REF. NO.	QTY	DESCRIPTION	NOTE
	1*	146 2524 000	1	VACUUM CLEANER KIT	(146 2523 000) INSTALLATION INSTRUCTIONS
	2	146 2288 000	2	HOLDER TOOL D.34-38 PLASTIC	
	3	81140900	1	CREVICE NOZZLE KIT	
	4	011 8130 500	1	TELESCOPIC TUBE ALUMINIUM	
	5	140 5691 000	1	HOSE CPL.32MM PLASTIC END	
	6#	140 8244 500	1	BRUSH NOZZLE D32	
	7	146 2289 000	2	HOLDER TOOL D.30-40 PLASTIC	
	8	146 2291 000	1	BRACKET. TOOL MOUNTING	
	9	146 2133 000	1	MOTOR VACUUM 500W 24V W/CONN.AND TER	
	10	1466153000	2	KNOB LOBED M6X15 SIP	
	11	909 5074 000	1	CARBON BRUSH 2 PCS SET	
	12	78602600	1	DUST BAG 5 PCS COMPACT GO COUPE	
	13	146 2898 000	1	GASKET VAC HOSE	
	14	L08812351	1	BUSHING FLANGED PLASTIC FILTER-VAC MOT.	
	15	146 1973 000	1	SWITCH ROCKER W/ASPIRATOR ROCKER KIT	
	16	146 2522 000	1	HARNESS VACUUM CLEANER	
	17	146 0719 000	1	SWITCH ELECTROMAGNETIC 24V	
	18	146 1980 000	1	GASKET VACUUM PLATE	
	19	146 2118 000	1	GASKET RUBBER L.750MM SIP	

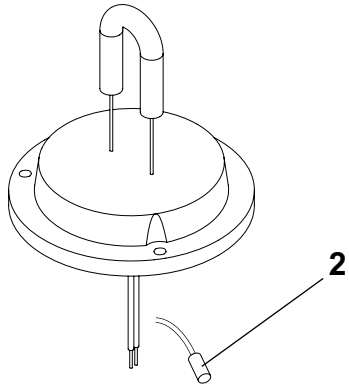
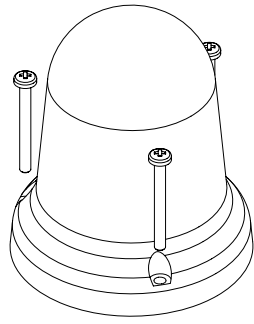
WORKING LIGHT



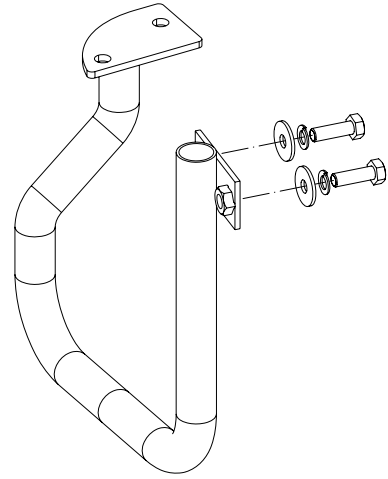
**WORKING LIGHT**

KIT	ITEM	REF. NO.	QTY	DESCRIPTION	NOTE
	1*	1463972000	1	KIT WORKING LIGHT	(1463974000) INSTALLATION INSTRUCTIONS
	2	146 1985 000	1	LIGHT	
	3	146 2528 000	1	PROTECTION WORKING LIGHT	
	4	1464038000	1	LIGHT SUPPORT PLATE	
	5	145 5518 000	1	LAMP 24V	
	6	146 1974 000	1	SWITCH	
	7#	1467034000	1	FUSE 10A	

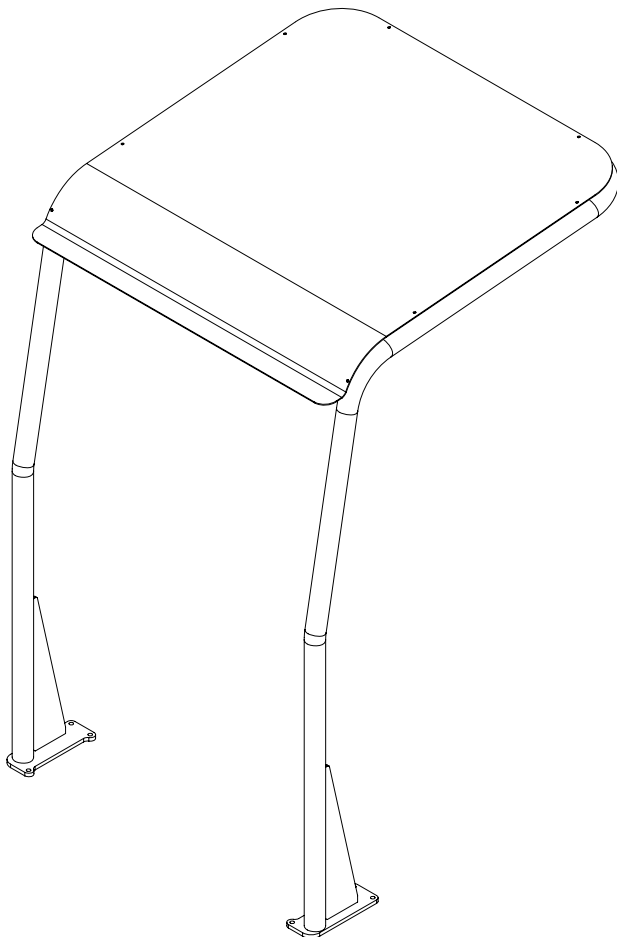
FLASHING BEACON - BROOM BUMPER - OVERHEAD GUARD



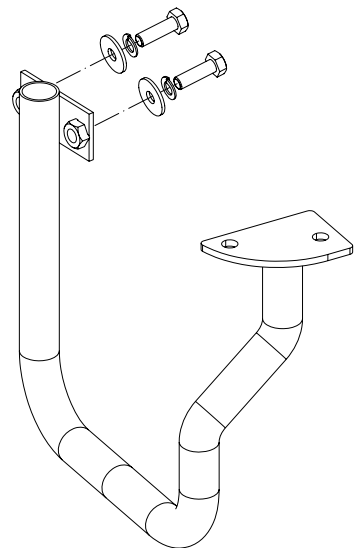
1



4



7



5

**FLASHING BEACON - BROOM BUMPER - OVERHEAD GUARD**

KIT	ITEM	REF. NO.	QTY	DESCRIPTION	NOTE
	1*	146 2692 000	1	BEACON FLASHING KIT	(146 2693 000) INSTALLATION INSTRUCTIONS
	2	145 3738 000	1	TERMINAL BULLET M INSULATED 0.25/1 MMQ	
	3*	1464058000	1	PROTECTION RIGHT BROOM KIT	(1464060000) INSTALLATION INSTRUCTIONS
	4*	1464105000	1	PROTECTION LEFT BROOM KIT	(1464060000) INSTALLATION INSTRUCTIONS
	5*	146 2735 000	1	GUARD OVERHEAD KIT	(146 2738 000) INSTALLATION INSTRUCTIONS



**WIRING DIAGRAM**

KEY	DESCRIPTION	NOTE
BAT	24V BATTERY	
BE1	BEACON (OPT)	
BZ1	BACK-UP ALARM / HORN	
C1	BATTERY CONNECTOR	
C2	CHARGER SECONDARY CONNECTOR	
CH1	BATTERY CHARGER	
EB1	HOUR METER AND BATTERY DISPLAY	
EB2	DRIVE ELECTRONIC BOARD	
ES1	MAIN BROOM ELECTROM. SWITCH	
ES2	SHAKER RELAIS	
ES3	VACUUM RELAIS	
ES4	REMOTE VAC. EL. SWITCH (OPT)	
ES5	SIDE BROOM RELAIS	
FA	MAIN BROOM CIRCUIT BREAKER	
FB	SIDE BROOMS CIRCUIT BREAKER	
FT	DRIVE FUSE (70 A)	
F1	SERVICE (MAIN) FUSE (15 A)	
F2	SHEAKER FUSE (40 A) (OPT)	
F3	REMOTE VACUUM FUSE (40 A) (OPT)	
F4	VACUUM FUSE (30 A)	
F5	ALARM AND BEACON FUSE (10 A) (OPT)	
F6	WORKING LIGHT FUSE (10 A) (OPT)	
K1	KEY	
LD1	DRIVE DIGNOSTIC LED	
L1	WORKING LIGHT (OPT)	
M1	MAIN BROOM MOTOR	
M2	DRIVE MOTOR	
M3	SHEAKER MOTOR	
M4	RIGHT BROOM MOTOR	
M5	LEFT BROOM MOTOR (OPT)	
M6	VACUUM MOTOR	
M7	REMOTE VACUUM MOTOR (OPT)	
P1	HORN BUTTON	
R1	DRIVE SPEED POTENTIOMETER	
R2	LED RESISTOR	
SWS	SAFETY SWITCH	
SW1	BROOM MICROSWITCH	
SW2	VACUUM / SHEAKER SWITCH	
SW3	REMOTE VACUUM SWITCH (OPT)	
SW4	SEAT MICROSWITCH	
SW5	SIDE BROOMS MICROSWITCH	
SW6	WORKING LIGHT SWITCH (OPT)	

KEY	COLOUR
BK	BLACK
BU	LIGHT BLUE
BN	BROWN
GN	GREEN
GY	GREY
OG	ORANGE

KEY	COLOUR
PK	PINK
RD	RED
VT	VIOLET
WH	WHITE
YE	YELLOW

**RECOMMENDED SPARE PARTS**

REF. NO.	QTY	DESCRIPTION	NOTE
<b>NORMAL WEAR</b>			
# 1466140000	2	BROOM SIDE 180X400 MIX STEEL	
145 4879 000	1	BROOM MAIN 300X700 CHEVR. 6R PPL 0.5-0.7	
1464062000	1	SKIRT FRONT PU BLACK	
145 5927 000	2	SKIRT SIDE	
145 1971 000	1	SKIRT REAR	
1463523000	1	FILTER PAPER PANEL	
<b>ORDINARY MAINTENANCE</b>			
145 1851 000	1	BELT TIMING HTD 5M 15 710	
146 2477 000	1	CABLE SKIRT RAIS.DEVICE	
146 2520 000	1	CABLE LEFT SIDE BROOM	
146 2475 000	1	CABLE RIGHT SIDE BROOM	
1463959000	1	CABLE MAIN BROOM	
146 2729 000	1	GASKET ADHESIVE FOR FILTER KIT	
146 0741 000	1	GASKET BULB RUBBER L.2030MM SIP	
1463977000	1	GASKETS HOPPER KIT	
1464432000	1	CARBON BRUSH 4 PCS SET	
# 1467083000	1	CARBON BRUSH 2 PCS SET	
L08603949	2	CARBON BRUSH 4 PCS SET	
909 5074 000	1	CARBON BRUSH 2 PCS SET	
146 2486 000	1	FUSE BLADE 70A	
145 0227 000	1	FUSE BLADE 40A	
145 8514 000	1	FUSE BLADE 25A	
145 8513 000	1	FUSE BLADE 30A UL	
<b>EXTRA ORDINARY MAINTENANCE</b>			
# 1467558000	2	WHEEL CPL 3.00/4 SOLID RUBBER KIT	
146 2442 000	1	WHEEL FRONT	
146 2795 000	1	MOTOR FILTER SHAKER KIT	
# 9100000855	1	SPRING GAS 30 KG SIP	
1466161000	1	CONTROLLER MAIN MACHINE KIT	
146 2887 000	1	KEY 2 PCS	
# 1466173000	1	CONTROLLER DRIVE WHEEL SIP	
146 2792 000	1	MOTOR BROOM MAIN KIT	
# 1467688000	1	REDUCTION GEARMOTOR 60W 24V RT KIT	
# 1467689000	1	REDUCTION GEARMOTOR 60W 24VLT KIT	
# 1466506000	2	MICROSWITCH 10A 250V SIP	
146 2532 000	1	SWITCH	
909 5706 000	1	CIRCUIT BREAKER 30A	
L08812633	1	CIRCUIT BREAKER 10A	
146 2952 000	1	PEDAL SPEED CONTROL KIT	
146 1646 000	1	RELAY 24V	
146 0719 000	1	SWITCH ELECTROMAGNETIC 24V	
146 2480 000	1	HARNESS DRIVE PEDAL	
146 2463 000	1	CABLE BRAKE	



**ACCESSORIES / OPTIONALS**

	REF. NO.	QTY	DESCRIPTION	NOTE
#	1466141000	1	BROOM SIDE 180X400 NATURAL	
	145 4957 000	1	BROOM MAIN 300X700 CHEVR. 6R PPL 0.5-0.7	
	145 6080 000	1	BROOM MAIN 300X700 CHEVR. 6R NATURAL	
	146 2746 000	2	WHEEL REAR NON MARKING	
	146 2745 000	1	WHEEL FRONT NON MARKING	
	146 2731 000	1	PRE-FILTER	
	145 6013 000	1	FILTER POLYESTER ANTISTATIC	
	146 2759 000	1	FILTER POLYESTER	
	146 2735 000	1	GUARD OVERHEAD KIT	
	1464105000	1	PROTECTION LEFT BROOM KIT	
	1464058000	1	PROTECTION RIGHT BROOM KIT	
	1464101000	1	CARPET KIT	
	146 2692 000	1	BEACON FLASHING KIT	
	146 2744 000	1	SKIRTS NON MARKING KIT	
	1463972000	1	KIT WORKING LIGHT	
	1463981000	1	MINI CONTAINERS KIT	
	146 2524 000	1	VACUUM CLEANER KIT	
	146 2791 000	1	BATTERY FIXING KIT	
	146 2900 000	1	SEAT W/ SAFETY BELTS	

9435 Winnetka Avenue North  
Brooklyn Park, MN 55445  
[www.advance-us.com](http://www.advance-us.com)  
Phone: 800-989-2235  
Fax: 800-989-6566  
©2018 Nilfisk, Inc.

