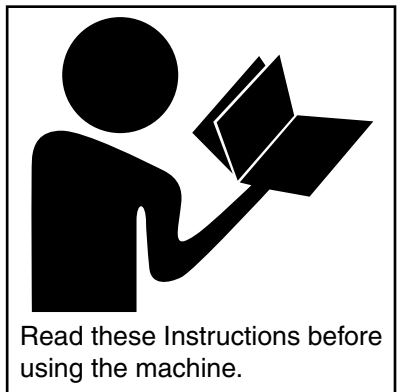
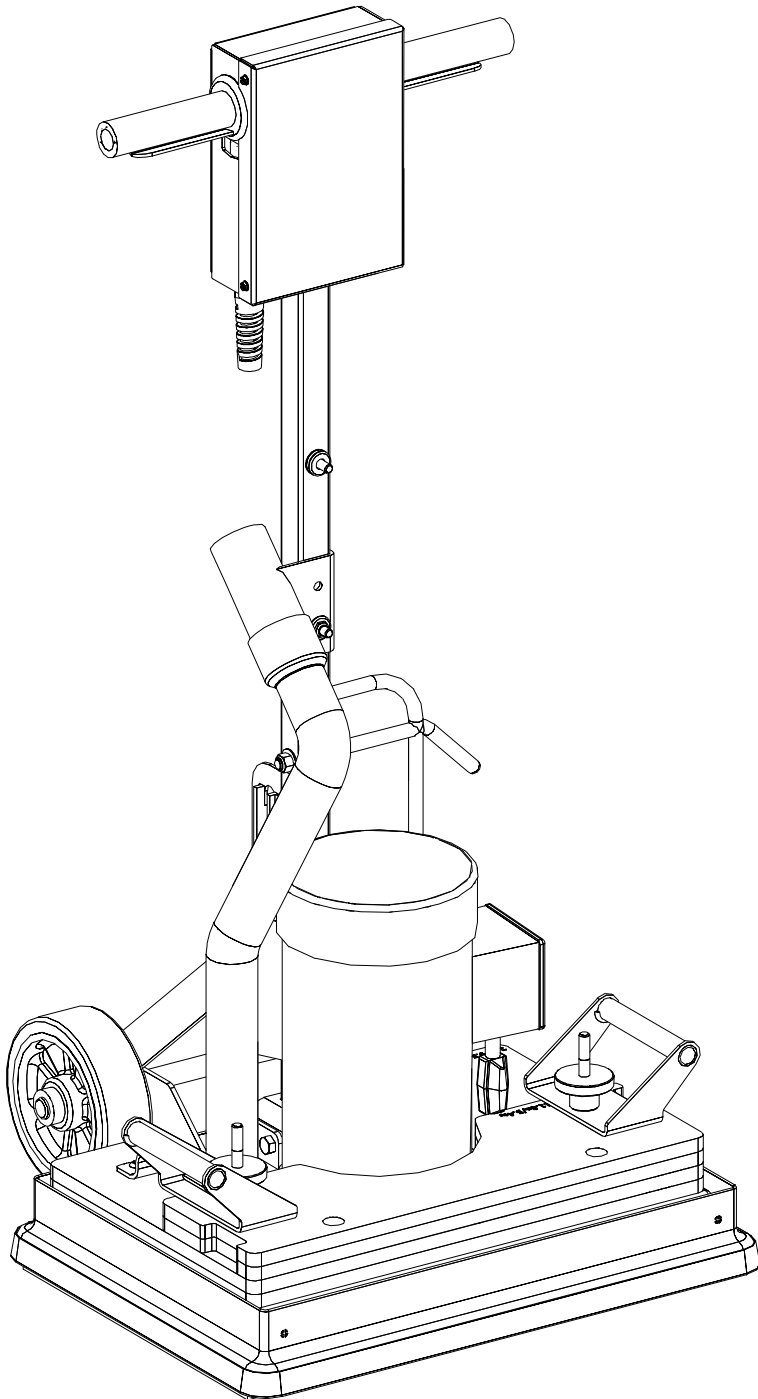


# TOMCAT<sup>®</sup>

# EDGE<sup>®</sup>

## Operating Instructions (EN) & Parts Manual



www.tomcatequip.com  
1711 South Street  
Racine, WI 53404 (USA)  
(800) 450-9824 | (+001) 262-681-6470  
© 2017 RPS Corporation

Scan With Phone for more Information



V17.108  
TC-EDGESTICK-OP-EN

## INTRODUCTION

This manual is furnished with each new machine. This manual will allow the Operator to get the best performance out of your RPS manufactured Scrubber-Drier, Sweeper, Burnisher, or Orbital Scrubber. Read this manual thoroughly before operating or servicing the machine.

This machine will provide excellent performance, but the best results will be obtained at the most minimum costs if:

- The machine is regularly maintained - per the machine Preventative Maintenance instructions provided.
- The machine is operated with reasonable care and caution.
- The machine is maintained with manufacturer supplied parts.

## ABOUT THIS MANUAL

**TABLE OF CONTENTS:** Tells you where to look in the manual.

**SAFETY MESSAGES:** Section contains important information regarding hazard or unsafe practices of the machine. Levels of hazards are identified that could result in product or personal injury, or severe injury resulting in death.

**OPERATION CONTROLS / MACHINE COMPONENTS:** Shows you the different machine controls and features.

**MACHINE SETUP:** Tells you how to setup machine from un-crating to installing Pads.

**MACHINE OPERATION:** Section is to familiarize the operator with the operation and function of the machine.

**MAINTENANCE:** This section contains preventative maintenance to keep the machine and it's components in good working condition. They are listed in this general order:

- Scrub Pads
- Service Schedule
- Machine Trouble Shooting

**TROUBLE SHOOTING:** A list of common problems that may occur.

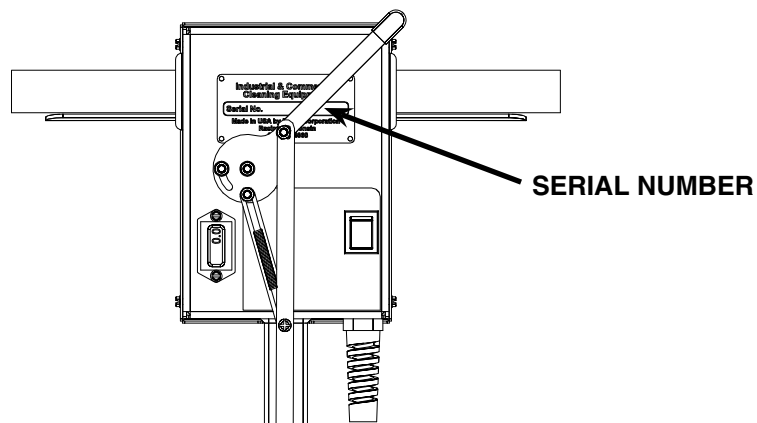
**MACHINE SPECS:** Tells you Machine Specifications for the various parts of the machine.

**MACHINE INSTALL FORM:** Should be filled out upon machine installation and faxed to 1-866-632-6961 or on-line at [www.rpscoperation.com](http://www.rpscoperation.com).

**WARRANTY POLICY:** Tells you coverage, exclusions and limitations to warranty.

**PARTS:** Exploded views of the machine with part breakdowns.

**NOTE:** The serial number of your machine is located on the back of the handlebars.



AS OUR POLICY IS ONE OF CONSTANT IMPROVEMENT - ALL INFORMATION AND SPECIFICATIONS ARE SUBJECT TO CHANGE WITHOUT NOTICE.

## TABLE OF CONTENTS

<b>Table of Contents</b> .....	3	<b>Common Wear Parts</b> .....	11
<b>Safety Messages</b> .....	4	EDGE Pads and Screens:.....	11
<b>Operation Controls</b> .....	6	EDGE Diamonds For Polishing Marble/Terrazzo:.....	11
<b>Machine Setup</b> .....	7	EDGE Isolator Replacement Kits:.....	12
Installing EDGE pads:.....	7	BackPack Accessories:.....	12
Pre-Cleaning Checklist:.....	7	<b>PARTS SECTION</b> .....	13
Operating - Scrubbing:.....	7	<b>Handlebar Versions</b> .....	14
<b>Machine Operation</b> .....	7	<b>Locking Handlebar</b> .....	15
<b>Maintenance</b> .....	8	<b>Scrubdeck Assembly</b> .....	16
Daily Maintenance:.....	8	<b>Scrubdeck Weights</b> .....	17
Weekly Maintenance:.....	8	<b>Water Tank and Handlebar</b> .....	18
Monthly maintenance:.....	8	<b>Isolated Handlebars</b> .....	19
Yearly Maintenance:.....	8	<b>Onboard Vacuum</b> .....	20
Storing Machine:.....	8		
<b>EDGE PM Records</b> .....	9		
<b>Motor Information</b> .....	10		

## SAFETY MESSAGES

You will see four kinds of safety reminders in this manual:

<p><b>! WARNING</b></p> <p>WARNING indicates a potentially hazardous situation which, if not avoided, could result in death or serious injury.</p>
<p><b>! CAUTION</b></p> <p>CAUTION indicates a potentially hazardous situation which, if not avoided, could result in minor or moderate injury or damage to this machine or nearby objects. CAUTION also can be used to alert against unsafe practices.</p>
<p><b>NOTICE</b></p> <p>NOTICE indicates information considered important, but not hazard-related. This safety message may be related to property damage or warranty warnings.</p>

Your safety, and that of others, is very important. Operating this machine safely is an important responsibility.

### **DO NOT OPERATE THIS MACHINE:**

- Unless you are trained and authorized to do so
- Unless you have read and understood this Operator's Manual
- On surfaces with greater than a 2% grade unless this machine is equipped with a functional parking brake
- On surfaces with greater than an 8% grade at any time
- On Loading Docks

### **WHEN OPERATING THIS MACHINE:**

- Remove loose objects from the floor that could be projected from the oscillating Pad
- Keep your hands and feet away from the oscillating Pad
- Do not operate this machine where flammable liquids are present
- Use caution when maneuvering close to walls

### **BEFORE LEAVING THE MACHINE:**

- Turn the machine *OFF* and unplug the power cord

### **BEFORE SERVICING THE MACHINE:**

- Unplug the power cord

**! WARNING**

Do not operate this machine around fuels, solvents, flammable floor finishes, thinners, wood dust or any flammable materials. Cigarette lighters, pilot lights, electrical sparks and all other sources of ignition should be extinguished or avoided. Work areas should be well ventilated.

**! WARNING**

Always wear safety goggles when operating this machine to avoid eye injury from debris projected from the oscillating Pad.

**! WARNING**

To avoid electrical shock, do not use this machine if it has been rained on or sprayed with water.

**! WARNING**

To avoid electrical shock, unplug the power cord before adjusting the Handlebar height or replacing the Pad.

**! WARNING**

Always turn off this machine and unplug the power cord before leaving it unattended. Do not allow untrained persons to operate this machine.

**! WARNING**

Always wear a dust mask when operating this machine to avoid inhaling dust created by the oscillating Pad. Inhaling dust created by this machine can cause serious respiratory injury.

**! CAUTION**

To avoid personal injury and/or damage to this machine, the persons lifting the machine should grasp the lifting bars on the base of the machine with one hand, and the handle with the other.

**! CAUTION**

Always unplug the power cord and wrap the cord on the cord wrap and handle before attempting to lift this machine.

**! WARNING**

To avoid electrical shock, do not pull on the power cord to move the machine or unplug the power cord from the electrical outlet.

**! WARNING**

Do not remove, paint over or destroy warning decals. If warning decals become damaged, call 1-262-681-3583 for free replacements.

**! WARNING**

To avoid electrical shock, do not operate this machine over electrical floor outlets.

**! WARNING**

Dress safely. Keep hands, feet and loose clothing away from moving parts on this machine.

**! WARNING**

To avoid electrical shock, always keep the power cord clear of the oscillating Pad and in good condition. Always lift the power cord over the machine.

**! WARNING**

Never operate this machine under the influence of alcohol or drugs. Do not allow anyone under the age of 18 to operate this machine.

**! WARNING**

This machine weighs over 130 pounds. Do not attempt to lift this machine alone. Two persons are required to lift this machine.

**! CAUTION**

Always raise and lock the handle into position before attempting to lift this machine. Always leave the pad on the machine before transporting the machine to avoid damage to the pad face.

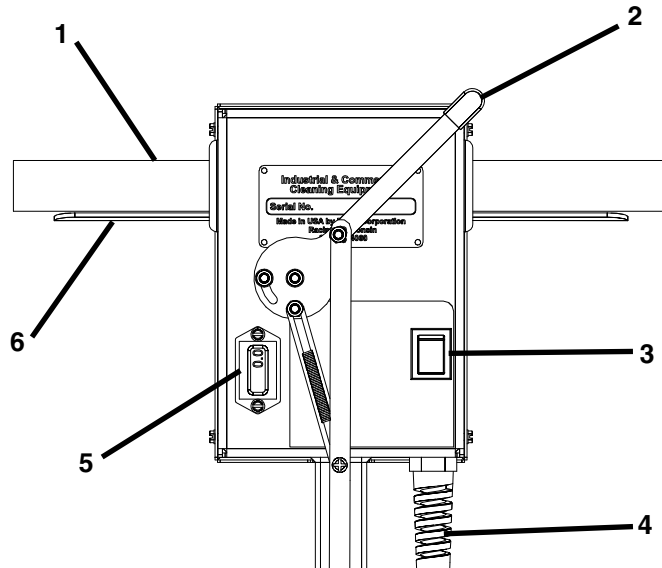
**! CAUTION**

Tilt the machine onto its wheels and transport it slowly and carefully. Do not operate this machine if any parts have been damaged or removed.

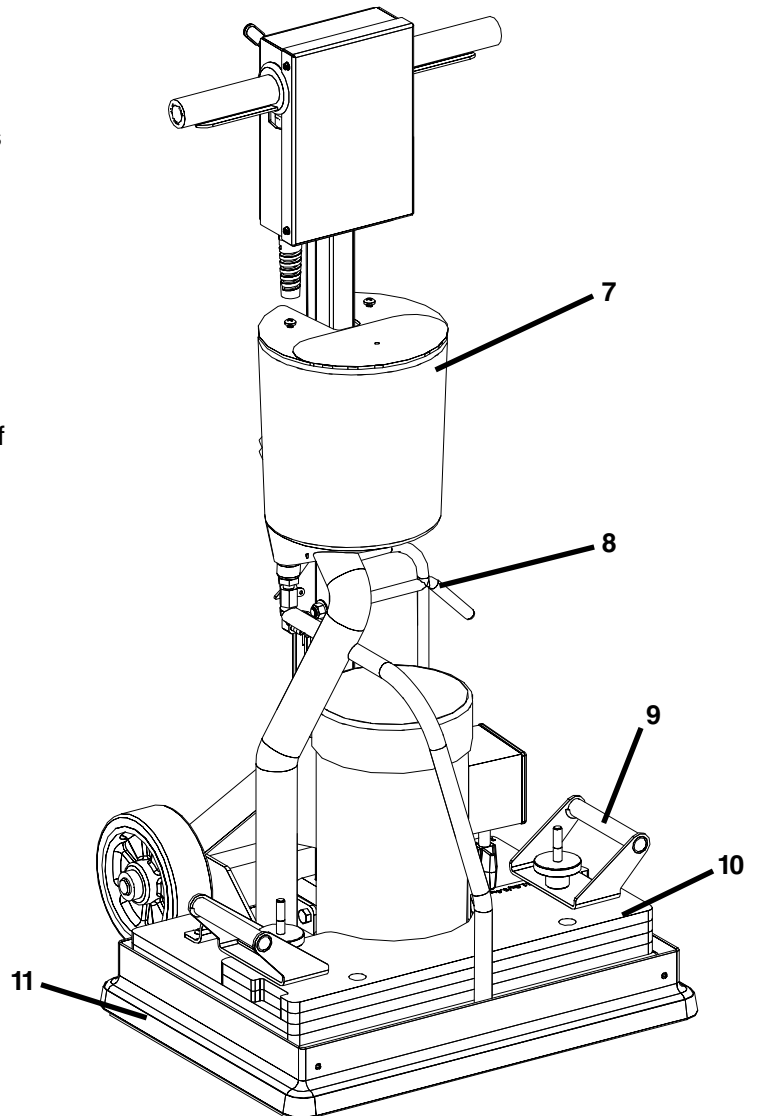
**! CAUTION**

Alterations to this machine may result in personal injury or property damage, and WILL void the warranty.

## OPERATION CONTROLS



1. **HANDLEBAR:** Foam padded handlebars provide ergonomic support
2. **SOLUTION CONTROL LEVEL (OPTIONAL):** Controls solution flow (*Down = RELEASE, Up = OFF*)
3. **MAIN POWER SWITCH (OPTIONAL):** Turns the machine *ON* and *OFF*
4. **POWER CORD:** Hospital grade 50 ft cord
5. **HOUR METER (OPTIONAL):** Shows the total amount of hours that the machine has been used
6. **HANDLEBAR TRIGGER:** Depressing the trigger activates the Scrubdeck motor
7. **WATER SOLUTION TANK (OPTIONAL):** 5 Quart solution tank for allowing water dispersion on the deck level
8. **SWIVEL CORD WRAP:** Rotate the cord wrap to allow for easy coiling and uncoiling of the Power cord
9. **LIFT HANDLES (OPTIONAL):** Allows two persons to lift machine
10. **SLOTTED WEIGHT PLATES (OPTIONAL):** 12.5 or 22.5 lb weight plates for different Pad and application usage
11. **DUST SKIRT (OPTIONAL):** Skirt around outside of Scrubdeck helps control dust and water during usage



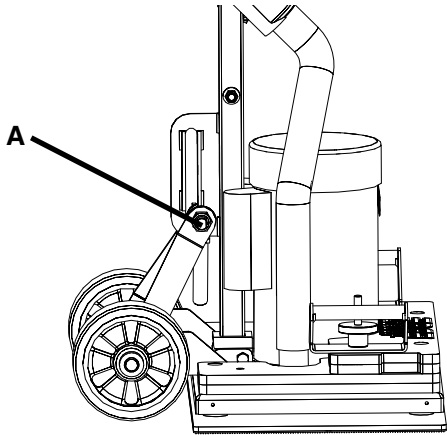
**INSTALLING EDGE PADS:**

To install or replace a Pad:

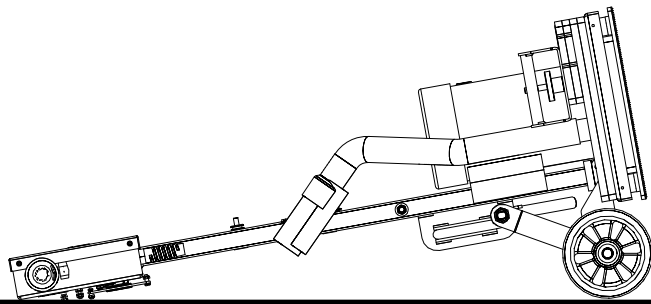
**NOTICE**

Before installing or replacing any Pad, disconnect the EDGE Scrubber from its power source.

1. Lock handle (A) in the upright position (SEE BELOW).



2. Tilt machine back until the handle rests on the floor (SEE BELOW).



3. Remove existing Pad and replace with new Pad - ensure proper 1/2" overhang on all edges of Grip Face.
4. Press Pad firmly into place.
5. Return machine to upright position.

**NOTICE**

NEVER place aggressive Pads (Maroon Prep, Dominator HD Strip, etc.) directly onto the Grip Face. Always use Red or Blue Spacer pad to prevent Grip Face damage.

**PRE-CLEANING CHECKLIST:**

Read and understand the Safety Messages section on Pages 3 and 4 before operating the machine.

6. Check and make sure that there is electrical outlets available for use or large gauge extension cords.
7. Check the condition of the Pads or Brushes.
8. If there is debris on the floor area that is about to be scrubbed - pre-sweep area.

**OPERATING - SCRUBBING:**

1. Move machine to work location. Never transport or store the machine without a Pad to protect the grip face.
2. Check the Pad. If it has become reduced to a thickness of less than 1/2", replace the Pad. Pad will depend based off of the application needs, contact your Local Servicing Dealer for correct Pads for your application.
3. Connect machine cord to power source. When scrubbing an area, move so that you are moving away from the power supply. This will help avoid entanglement with the cord as well as reduce the need to move do a different power source.
4. Adjust the handlebars to a comfortable position. Lock the handlebar into position. The best operating position is at arms length to help with control of machine and to improve operator comfort. Maintain the machine flat on the floor for ease of operation. Raising or lowering the handlebar can cause the machine to pull to the right or left, and uneven pressure/wear on the pad surface. A neutral handlebar position will provide a neutral operation and uniform contact of the Pad to the floor surface.
5. Squeeze the Handlebar trigger with both hands to start the machine. Release the Handlebar trigger to stop the machine.

**NOTICE**

Releasing the Handlebar trigger will immediately stop the machine.

## MAINTENANCE

### **DAILY MAINTENANCE:**

1. Remove the clean Pads / Brushes. Never use soiled Pads / Brushes when cleaning. Replace Pads / Brushes when they become packed with residue.
2. Drain and rinse Tanks thoroughly and flush out solution feed to Scrubdeck (*If applicable to your model*).
3. Inspect Vacuum Hose for any objects obstructing the air flow.
4. Wipe down machine if needed. Use a non-abrasive, non-solvent cleaner or a clean damp cloth.
5. Store in a clean area.

### **WEEKLY MAINTENANCE:**

6. Flip EDGE pads.
7. Drain and rinse tanks thoroughly. To thoroughly flush out any solution chemicals in solution line valves, refill Solution Tank with a few gallons of warm, clean water and run the machine until Tank is empty.

### **MONTHLY MAINTENANCE:**

1. Check Scrubhead for wear.
2. Check machine for water leaks and loose nuts and bolts.

### **YEARLY MAINTENANCE:**

Call your local dealer for yearly maintenance.

### **STORING MACHINE:**

1. Be sure to flush the tanks out completely. To thoroughly flush out any solution chemicals in solution line and valves, refill Solution Tank with a few gallons of warm clean water and run machine until Tank is empty.
2. Tip Scrubdeck to alleviate pressure on the Grip Face or Pads for extended periods of time.



## EDGE PM RECORDS

### CUSTOMER INFORMATION

CUSTOMER		EMAIL	
ADDRESS			PHONE
CITY	STATE	ZIP	CONTACT

### MACHINE INFORMATION

MODEL #:	SERIAL #:
WORK ORDER#:	HOUR METER:

### DECK CONDITION

EDGE PAD GRIP FACE	GOOD	WORN	NEEDS REPLACEMENT
SPACER PAD	GOOD	WORN	NEEDS REPLACEMENT

### CHECK OPERATION AND CONDITION OF:

	IN SPEC	REPAIR	PROBLEM
TRIGGER KEY SWITCH (OPTIONAL)			
SOLUTION ON/OFF LEVER (OPTIONAL)			
SCRUBDECK MOTOR			
INSPECT AC CORD (REPLACE IF DAMAGED)			
INSPECT EDGE OF ALUMINUM DECK (REPORT IF DAMAGED)			
VACUUM MOTOR PERFORMANCE (OPTIONAL)			

### VISUALLY INSPECT

	IN SPEC	REPAIR	PROBLEM
VACUUM HOSES (OPTIONAL)			
SOLUTION HOSES (OPTIONAL)			
DUST SKIRTS (OPTIONAL)			
MACHINE WHEELS			

### MEASURE GAP AT 4 CORNERS

	FRONT RIGHT	FRONT LEFT	BACK RIGHT	BACK LEFT
BETWEEN ALUMINUM AND STEEL DECKS				

### VISUALLY INSPECT

	IN SPEC	REPAIR	PROBLEM
VACUUM HOSES (OPTIONAL)			
SOLUTION HOSES (OPTIONAL)			
DUST SKIRTS (OPTIONAL)			
MACHINE WHEELS			

### COMMENTS

SERVICING DISTRIBUTOR: \_\_\_\_\_

TECHNICIAN'S NAME: \_\_\_\_\_ DATE: \_\_\_\_\_ SIGNATURE: \_\_\_\_\_

CUSTOMER'S NAME: \_\_\_\_\_ DATE: \_\_\_\_\_ SIGNATURE: \_\_\_\_\_

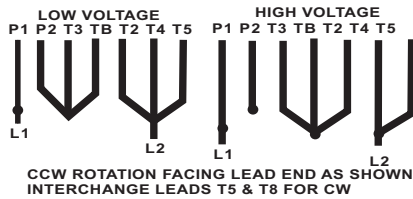
## MOTOR INFORMATION



CAT. NO: 117536.00  
 MODEL: M6K28FC3A  
 CUST: PN:  
 DUTY: CONT  
 AMB: 40°C  
 FR: 56CZ  
 THERMALLY PROTECTED

DATE: G12B  
 CC:  
 TYPE: KF  
 ENCL: TEFC  
 DESIGN: I

HZ:	60	50
HP/KW:	1 1/2 / 1.12	1 1/2 / 1.12
RPM:	3450	2850
VOLT:	115/230	100/200-220
FLA:	13.2/6.6	15.6/7.8-7.5
SFA:	14.8/17.4	18/9-8.4
SF: 1.15	EFF: 75.5	FL PF: 99(0.99)
		IP:



COOLING CODE: .41  
 PROT. CODE:  
 INVERTER TYPE:  
 SPD RANGE:  
 INV. LOAD:

NP, BF1461412-1, 122060009

READ WARNING LABEL ON MOTOR BEFORE CONNECTING, INSTALLING OR SERVICING FAILURE TO FOLLOW ALL SAFETY INFORMATION CAN RESULT IN PERSONAL INJURY OR DEATH.



There is a sticker with the above information on the motor of your EDGE Stick machine unit. Below are explanations for the units of measurement.

### FLA = Full Load Ampere Rating

Line current drawn by motor while operating under full load at supply voltage indicated. On dual voltage motors, higher voltage amps are one-half lower voltage amps.

### SFA = Service Factor Amps

Current drawn by the motor when operated at service factor load. Unless motor is operated extensively at service factor load (not recommended), use full load current when selecting circuit protection.

### SF = Service Factor

The service factor shown on the motor nameplate indicates the amount of continuous overload the motor can be subjected to, under nameplate conditions, without damaging the motor. When the voltage and frequency are at the same values as shown on the motor nameplate, the motor may be overloaded up to the horsepower indicated by multiplying the rated horsepower by the service factor. When operated at service factor load, the motor may have an efficiency, power factor, and speed slightly different from those shown on the nameplate.

A motor designed to operate at its nameplate horsepower rating has a service factor of 1.0. This means the motor can operate at 100% of its rated horsepower. Some applications may require a motor to exceed the rated horsepower. In these cases a motor with a service factor of 1.15 can be specified. The service factor is a multiplier that may be applied to the rated power. A 1.15 service factor motor can be operated 15% higher than the motor's nameplate horsepower. The 30 HP motor with a 1.15 service factor, for example can be operated at 34.5 HP. It should be noted that any motor operating continuously at a service factor greater than 1 will have a reduced life expectancy compared to operating it at its rated horsepower. In addition, performance characteristics, such as full load RPM and full load current, will be affected.

### EF = Efficiency Factor

AC motor efficiency is expressed as a percentage. It is an indication of how much input electrical energy is converted to output mechanical energy. The nominal efficiency of this motor is 93.6%. The higher the percentage the more efficiently the motor converts the incoming electrical power to mechanical horsepower. A 30 HP motor with a 93.6% efficiency would consume less energy than a 30 HP motor with an efficiency rating of 83%. This can mean a significant savings in energy cost. Lower operating temperature, longer life, and lower noise levels are typical benefits of high efficiency motors.

### FLPF = Full Load Power Factor

The ratio of real or true power and the apparent power that is supplied  $[PF = P(\text{watts})/S(\text{va})]$

**COMMON WEAR PARTS**

**EDGE PADS AND SCREENS:**

<b>DESCRIPTION</b>	<b>28"×14" SCRUBDECK</b>	<b>20"×14" SCRUBDECK</b>	<b>13"×19"</b>
White Pad	EDGE-4054	EDGE-4005	N/A
Red Pad	EDGE-4053	EDGE-4004	N/A
Blue Pad	EDGE-4052	EDGE-4003	N/A
Green Pad	EDGE-4051	EDGE-4002	N/A
Black Pad	EDGE-4050	EDGE-4001	N/A
White Driver Pad	EDGE-4058	EDGE-4025	EDGE-4019
60 Grit Sand Screen	EDGE-4059	EDGE-4026	EDGE-4020
80 Grit Sand Screen	EDGE-4060	EDGE-4027	EDGE-4021
100 Grit Sand Screen	EDGE-4061	EDGE-4028	EDGE-4022
120 Grit Sand Screen	EDGE-4062	EDGE-4029	EDGE-4023
150 Grit Sand Screen	EDGE-4063	EDGE-4030	EDGE-4024
20 Grit Sand Paper	N/A	EDGE-4031	N/A
36 Grit Sand Paper	N/A	EDGE-4032	N/A
60 Grit Sand Paper	N/A	EDGE-4033	N/A
80 Grit Sand Paper	N/A	EDGE-4034	N/A
100 Grit Sand Paper	N/A	EDGE-4035	N/A
100 Grit Diamond Polishing Pad	N/A	EDGE-4012	N/A
400 Grit Diamond Polishing Pad	N/A	EDGE-4013	N/A
800 Grit Diamond Polishing Pad	N/A	EDGE-4014	N/A
1500 Grit Diamond Polishing Pad	N/A	EDGE-4015	N/A
3000 Grit Diamond Polishing Pad	N/A	EDGE-4016	N/A
6000 Grit Diamond Polishing Pad	N/A	EDGE-4070	N/A
Tile/Grout Renovator Pad	EDGE-4048	EDGE-4018	N/A
Microfiber Pad	N/A	EDGE-4036	N/A
Abrader Plate	N/A	N/A	EDGE-4011
Dominator HD Strip Pad	EDGE-4055	EDGE-4006	N/A
Maroon ECO Prep Pad	EDGE-4056	EDGE-4007	N/A
Remover Burnishing Pad	EDGE-4057	EDGE-4008	N/A
Porko Burnishing Pad	N/A	EDGE-4017	N/A
Velcro Pad	N/A	300-4023	N/A

**EDGE DIAMONDS FOR POLISHING MARBLE/TERRAZZO:**

<b>DESCRIPTION</b>	<b>PART NUMBER</b>
30 Grit Diamond Strip	300-30GRIT4
50 Grit Diamond Strip	300-50GRIT4
100 Grit Diamond Strip	300-100GRIT4
200 Grit Diamond Strip	300-200GRIT4
400 Grit Diamond Strip	300-400GRIT4
800 Grit Diamond Strip	300-800GRIT4
1500 Grit Diamond Strip	300-1500GRIT4
3000 Grit Diamond Strip	300-3000GRIT4

**EDGE ISOLATOR REPLACEMENT KITS:**

DESCRIPTION	PART NUMBER
Kit for 20" AC Stick Machines	EDGE-7217
Kit for 28" AC Stick Machines	EDGE-7221
Kit for 28" DC Stick Machines	EDGE-7218
Kit for 32" DC Stick Machines	EDGE-7219
Kit for 20" DC Machines	EDGE-7209
Kit for 24" DC Machines	EDGE-7209
Kit for 28" DC Machines	EDGE-7210
Kit for 32" DC Machines	EDGE-7216
Bracket Kit for DC Machines	EDGE-7220

**EDGE GRIP FACE:**

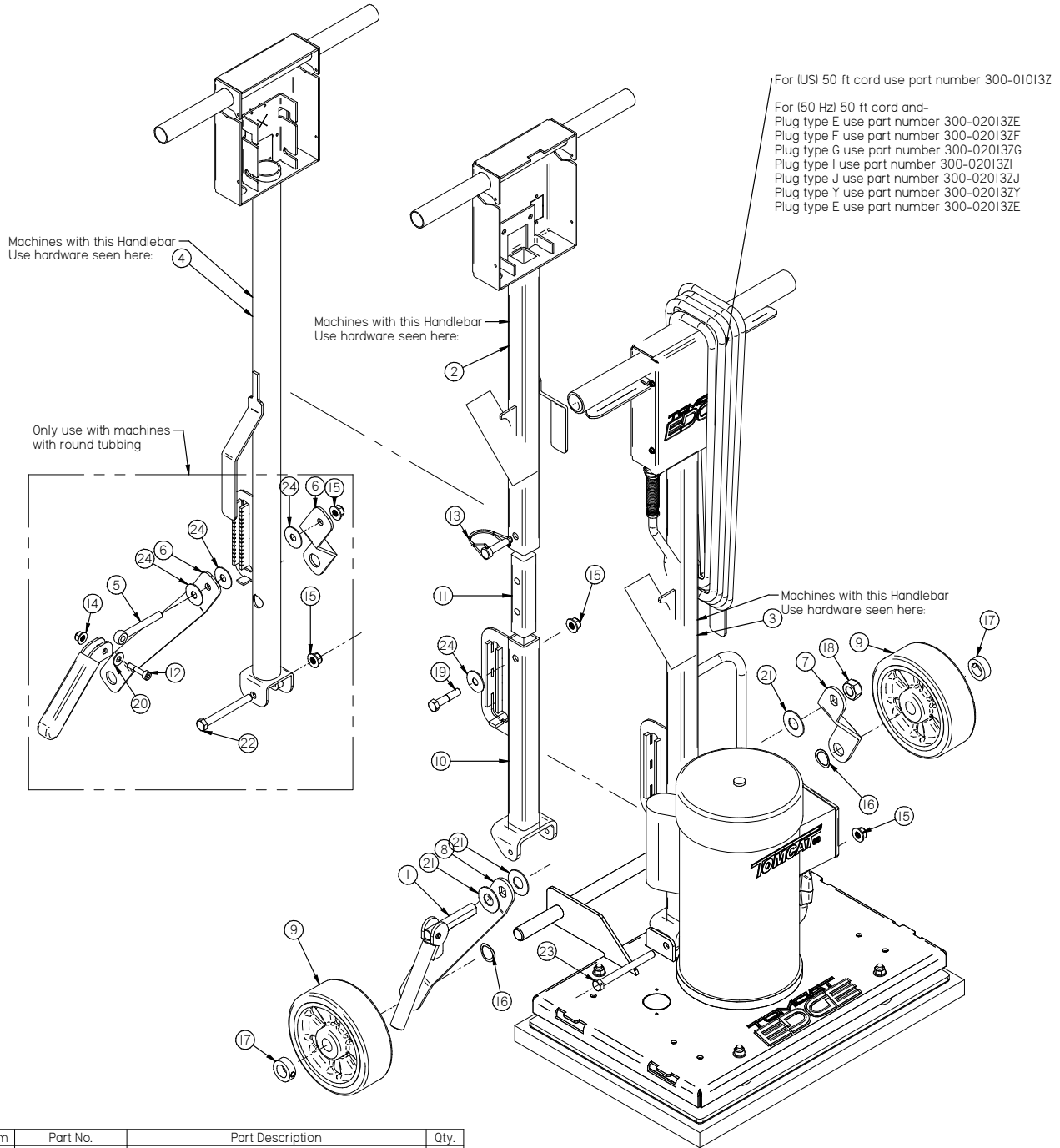
DESCRIPTION	PART#
20" Velcro Grip Face	300-1037
28" Velcro Grip Face	300-1039
20" Mighty Lok Grip Face	300-01037Z
28" Mighty Lok Grip Face	300-01037Z

**BACKPACK ACCESSORIES:**

DESCRIPTION	PART #
Micro Lined Filter Bag 6 Qt, Standard (10pk)	800-5210
Micro Lined Filter Bag 10 Quart, Standard (10pk)	800-5211
Micro Lined Filter Bag 2 Ply 6 Qt, Ultra (10pk)	800-5310
Micro Lined Filter Bag 2 Ply 10 Qt, Ultra (10pk)	800-5311
Micro Lined Filter Bag 3 Ply 6 Qt, Ultimate HEPA (10pk)	800-5410
Micro Lined Filter Bag 3 Ply 10 Qt, Ultimate HEPA (10pk)	800-5411
Cloth Bag w/ Gasket, 6 Quart	800-6021
Cloth Bag w/ Gasket, 10 Quart	800-6020
HEPA Dome Filter	800-9130

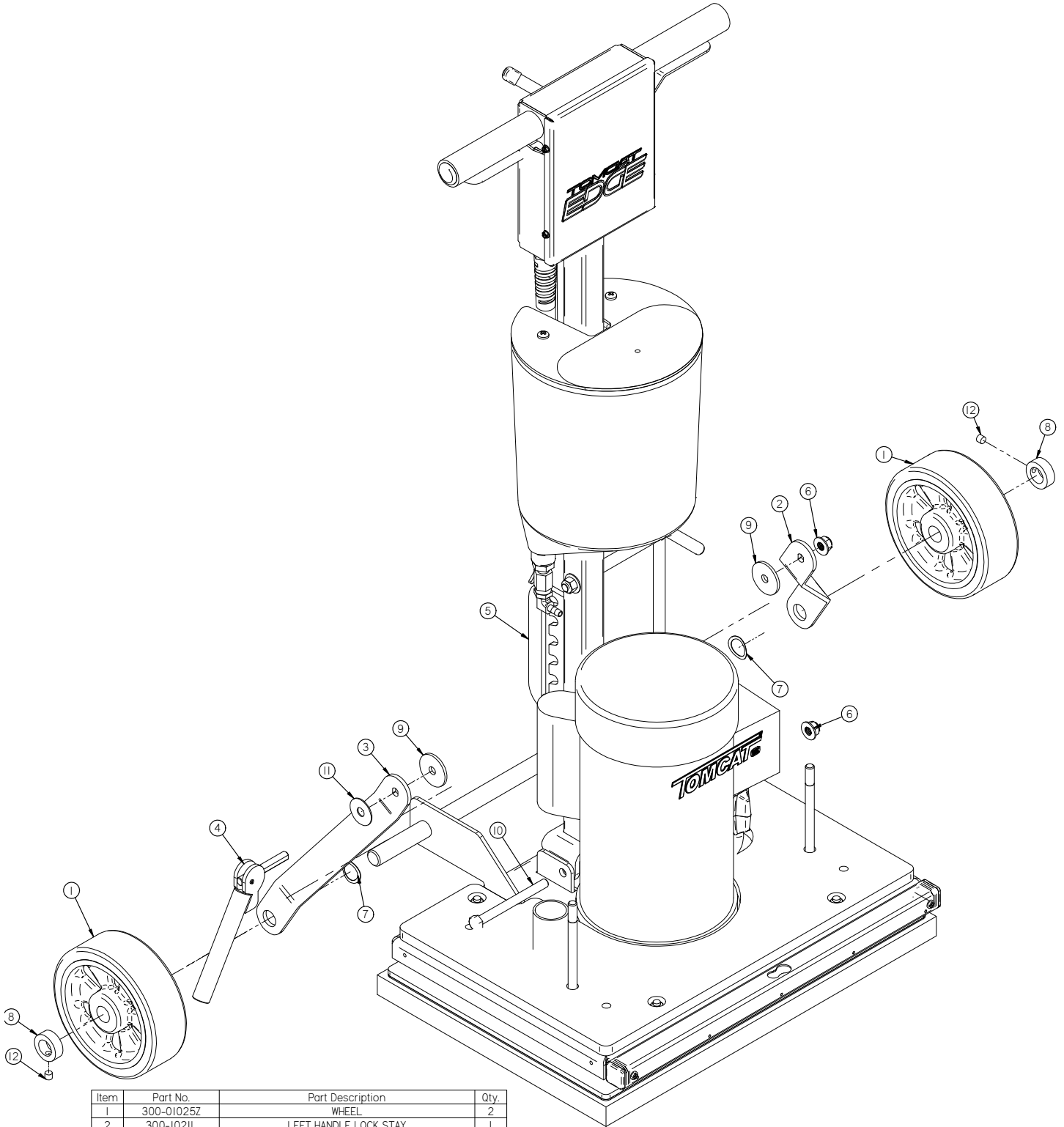
# **PARTS SECTION**

# HANDLEBAR VERSIONS



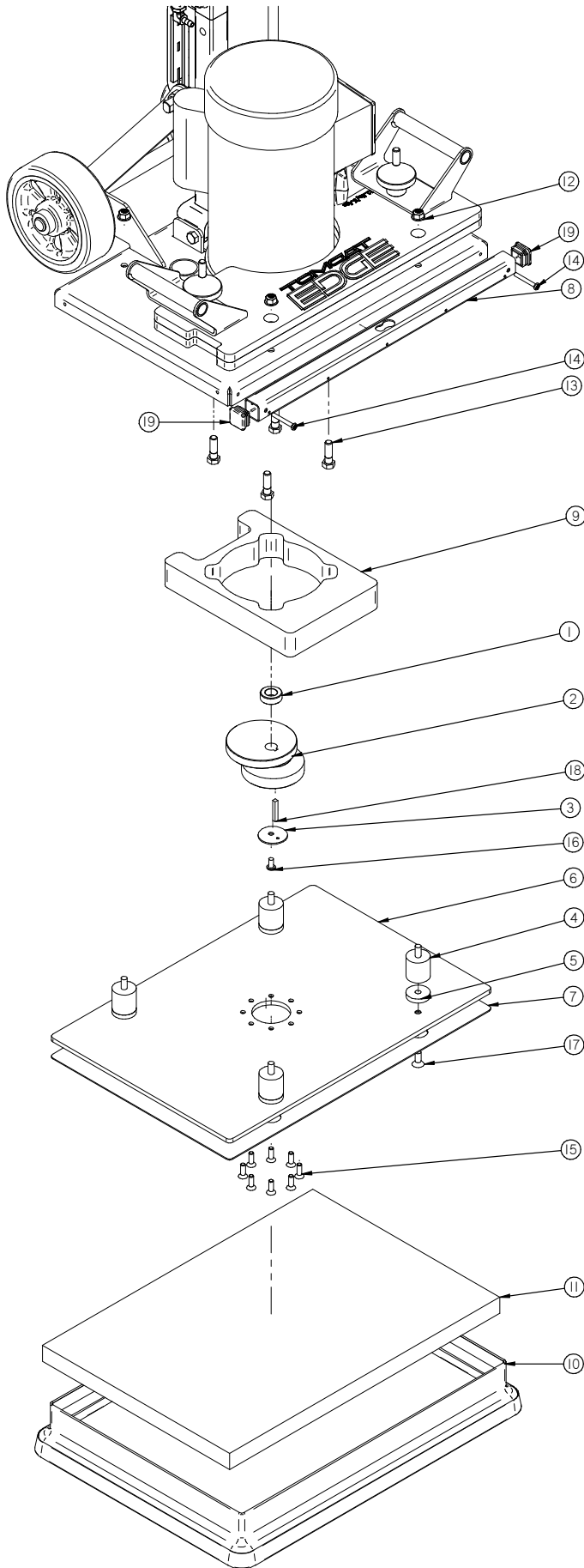
Item	Part No.	Part Description	Qty.
1	280-1023	HANDLE BAR CLAMP	1
2	300-01015Z	HANDLE BAR (2 PIECE SQ. TUBE)	1
3	300-01015Z	HANDLE BAR II (PIECE SQ. TUBE)	1
4	300-01015Z	HANDLE BAR (ROUND TUBE)	1
5	300-01020Z	HANDLE LOCK EYE BOLT	1
6	300-01021Z	HANDLE LOCK STAY	2
7	300-01021ZL	LEFT HANDLE LOCK STAY	1
8	300-01021ZR	RIGHT HANDLE LOCK STAY	1
9	300-01025Z	WHEEL	2
10	300-03015Z	LOWER HANDLE BAR	1
11	300-03016Z	HANDLE BAR COUPLER	1
12	H-	SHCS 5/16-18 X 1-1/4 SS	1
13	H-0120678	.375 ZINK ROUND DOUBLE WIRE SNAPPER PIN,par	1
14	H-0167031	FLANGED NYLOK 5/16-18	1
15	H-0167032	FLANGED NYLOK 3/8-16	4
16	H-05231	WW 3/4 ID X 10D SS	2
17	H-33376	SHAFT COLLAR, 3/4" ID X 9/16 LG	2
18	H-37036	NYL 5/8"- 11	1
19	H-70110	HCS 3/8"- 16 X 1-3/4" SS	1
20	H-71015	FW 5/16 ID X 3/4 OD SS	1
21	H-71025	FW 5/8 ID X 1-1/2 OD SS	3
22	H-71193	HCS 3/8"- 16 X 3-1/2" SS	1
23	H-71193	HCS 3/8"- 16 X 4" SS	1
24	H-71216	FNW 3/8 ID X 1-1/4 OD SS	4

# LOCKING HANDLEBAR



Item	Part No.	Part Description	Qty.
1	300-01025Z	WHEEL	2
2	300-1021L	LEFT HANDLE LOCK STAY	1
3	300-1021R	RIGHT HANDLE LOCK STAY	1
4	300-1023	HANDLE BAR CLAMP	1
5	300-2015	HANDLE BAR (NEW LOCKING)	1
6	H-0167032	FLANGED NYLOK 3/8-16	2
7	H-05231	WW 3/4 ID X 10D SS	2
8	H-33376	SHAFT COLLAR, 3/4" ID X 9/16 LG	2
9	H-4440024	FW 3/8" X 1-1/2" NYLON	2
10	H-71193	HCS 3/8"-16 X 4" SS	1
11	H-71216	FNW 3/8 ID X 1-1/4 OD SS	1
12	H-81983	5/16" X 1/4" KURL SET SCREW	2

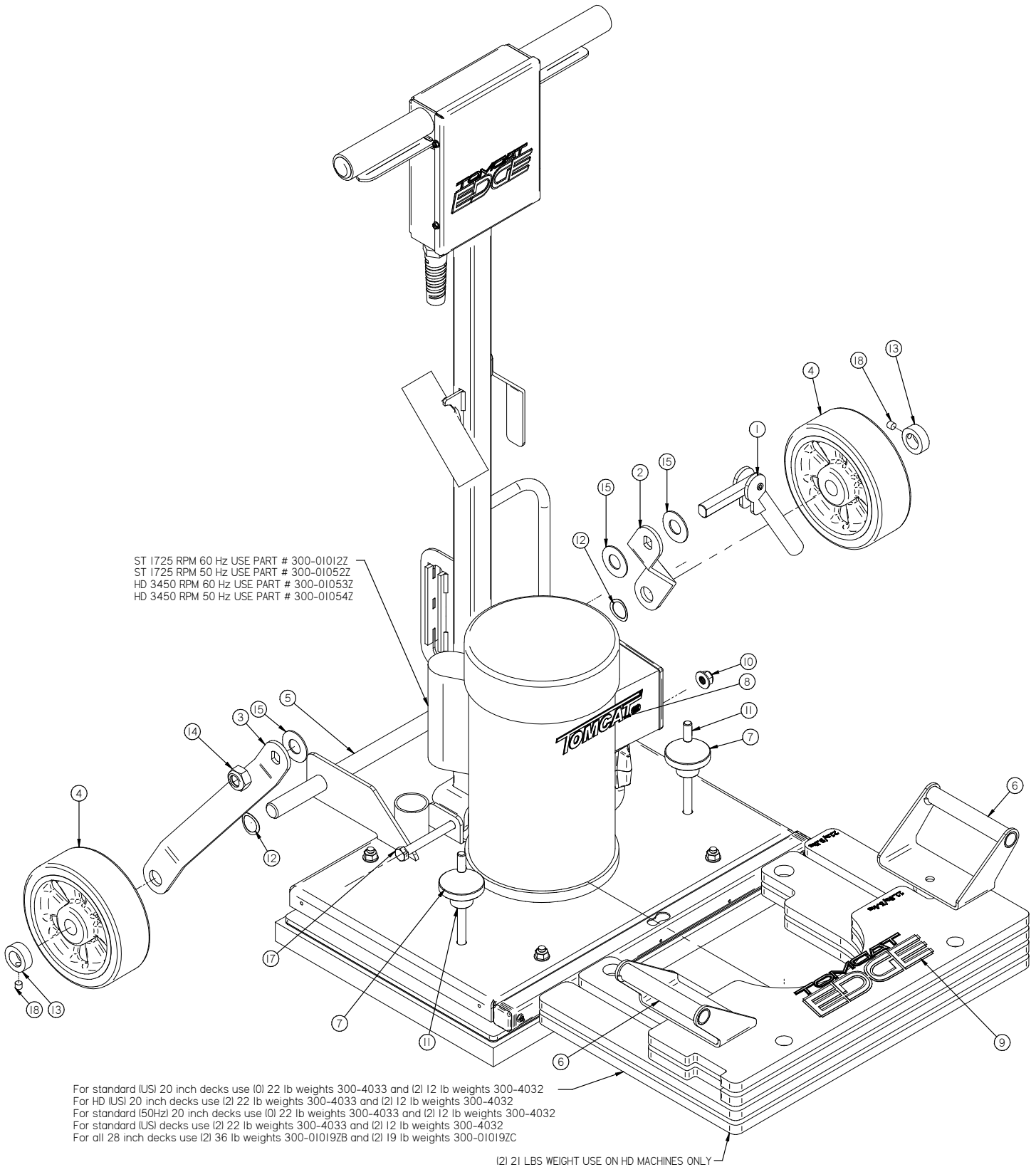
## SCRUBDECK ASSEMBLY



Item	Part No.	Part Description	Qty.
1	300-01016Z	MOTOR SHAFT SPACER	1
2	300-01028ZA	20" ECCENTRIC BEARING ASSEMBLY	1
3	300-01030Z	CRUSH WASHER	1
4	300-01032Z	RUBBER ISOLATOR	4
5	300-01033Z	20 & 28" SPACER	4
6	300-01034Z	20 INCH ALUMINUM PAD DRIVER	1
7	300-01037Z	GRIP FACE	1
8	300-03026Z	SOLUTION FEED TUBE (20")	1
9	300-1072	1-1/2" BEARING GASKET	1
10	300-4012	20" FEED TUBE DUST CURTAIN	1
11	EDGE-4004	RED PAD 14" X 20"	1
12	H-0167031	FLANGED NYLOK 5/16-18	4
13	H-70107	HCS 3/8" - 16 X 1-1/4" SS	4
14	H-72554	PPH #10-32 X 1-1/2"	2
15	H-72708	FHP 1/4" - 20 X 3/4"	8
16	H-73752	BHSCS 1/4 - 20 X 1/2" SS	1
17	H-73907	FHSCS 5/16"- 18 X 3/4" SS	4
18	H-K14320	3/16" X 1 1/4" KEY	1
19	M-9565K51	1.0 X 1.0 SQ TUBE PLUG	2

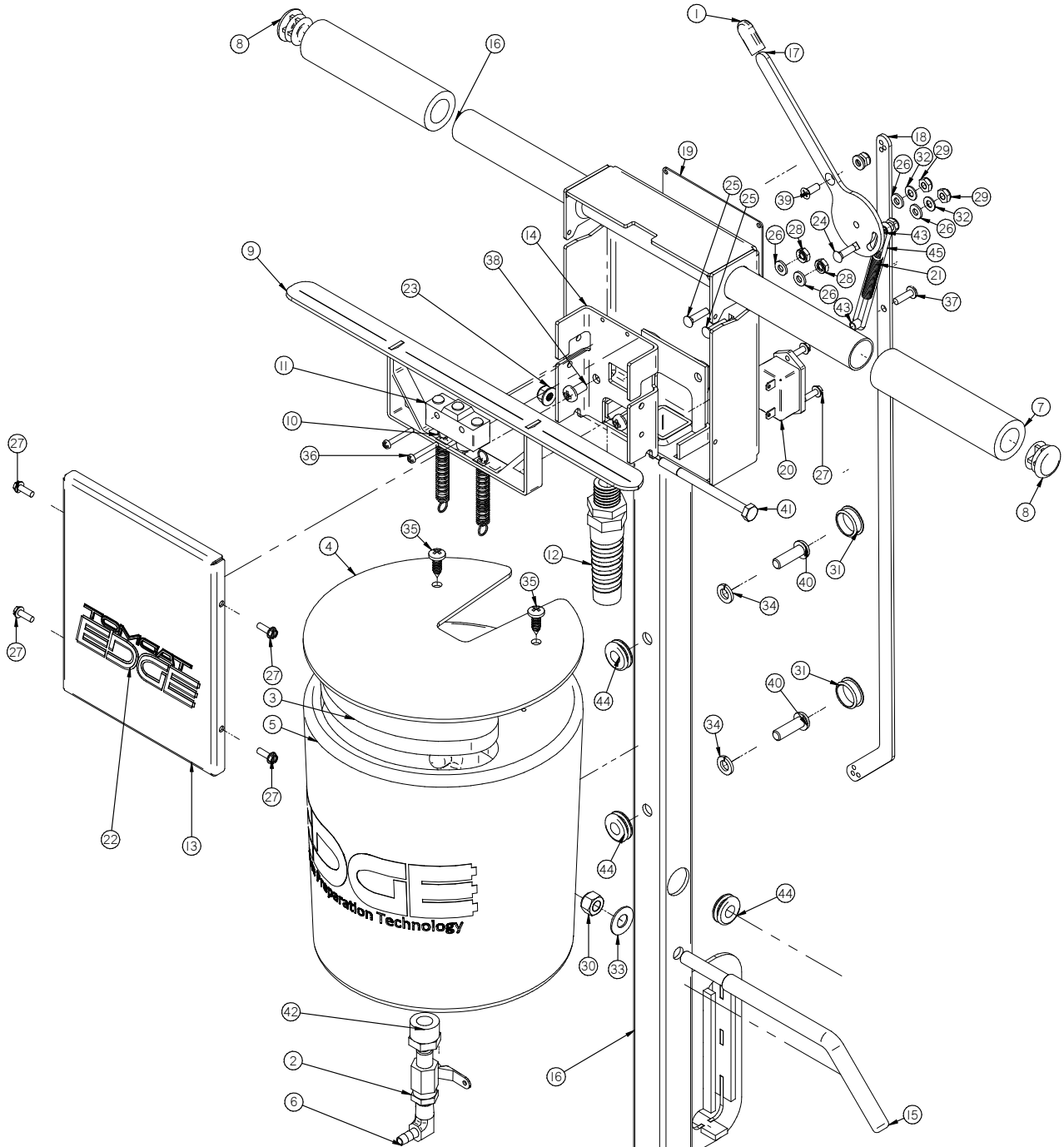


# SCRUBDECK WEIGHTS



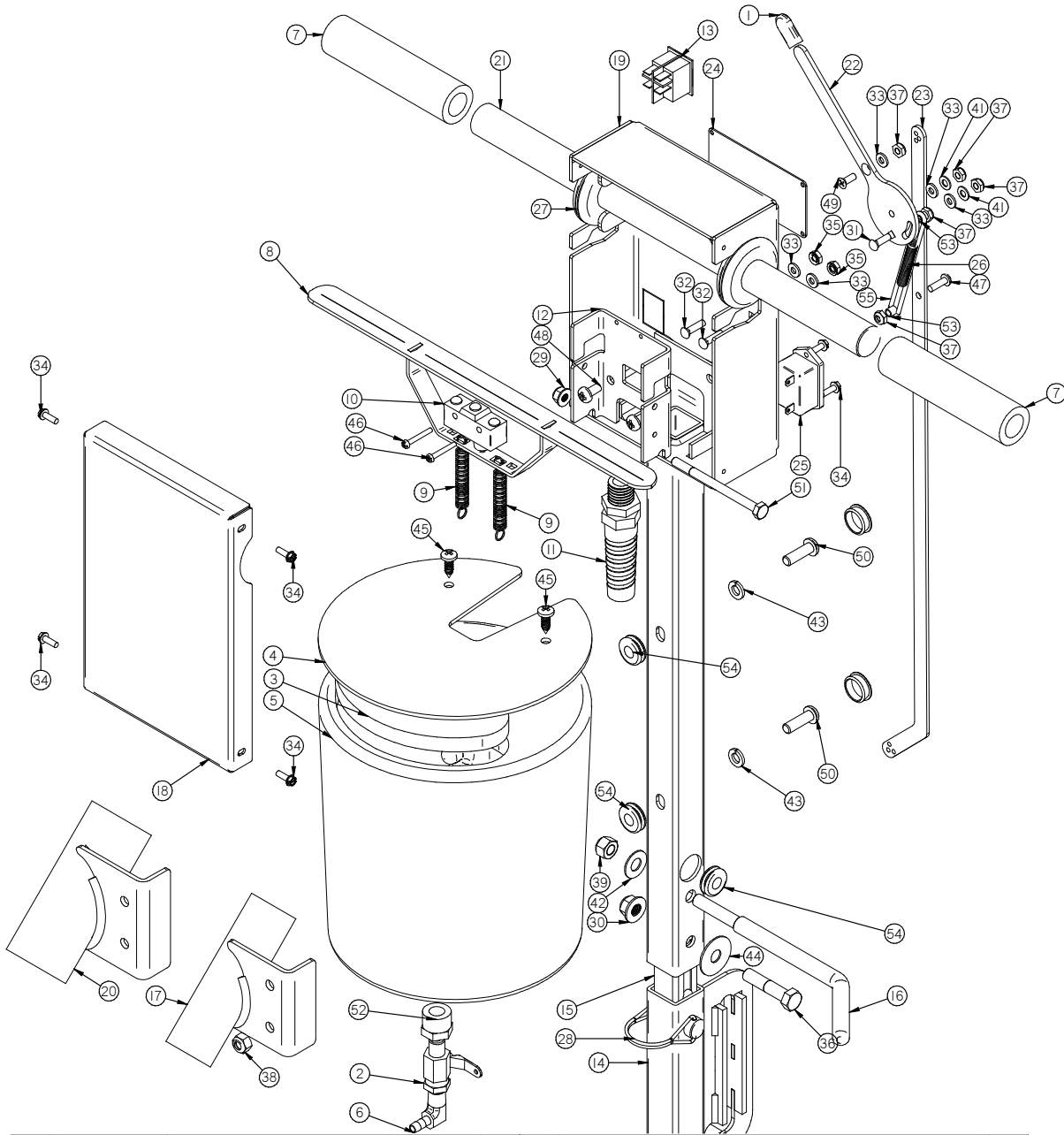
Item	Part No.	Part Description	Qty.	Item	Part No.	Part Description	Qty.
1	280-1023	HANDLE BAR CLAMP	1	10	H-0167032	FLANGED NYLOK 3/8-16	1
2	300-01021ZL	LEFT HANDLE LOCK STAY	1	11	H-0172941	HCS 3/8"- 16 X 5" FULL THREAD SS	2
3	300-01021ZR	RIGHT HANDLE LOCK STAY	1	12	H-05231	WW 3/4 ID X 10D SS	2
4	300-01025Z	WHEEL	2	13	H-33376	SHAFT COLLAR, 3/4" ID X 9/16 LG	2
5	300-05027Z	20" BASE FOR SQ. HANDLEBAR	1	14	H-37036	NYL 5/8"- 11	1
6	300-1020	LIFT HANDLE	2	15	H-71025	FW 5/8 ID X 1-1/2 OD SS	3
7	300-5786	3/8-16 KNOB	2	16"	H-71067	LW 3/8" SS	2
8	370-7203	TOMCAT STICKER	1	17	H-71193	HCS 3/8"- 16 X 4" SS	1
9	EDGE-7204	8 INCH EDGE STICKER	1	18	H-81983	5/16" X 1/4" KURL SET SCREW	2

# WATER TANK AND HANDLEBAR



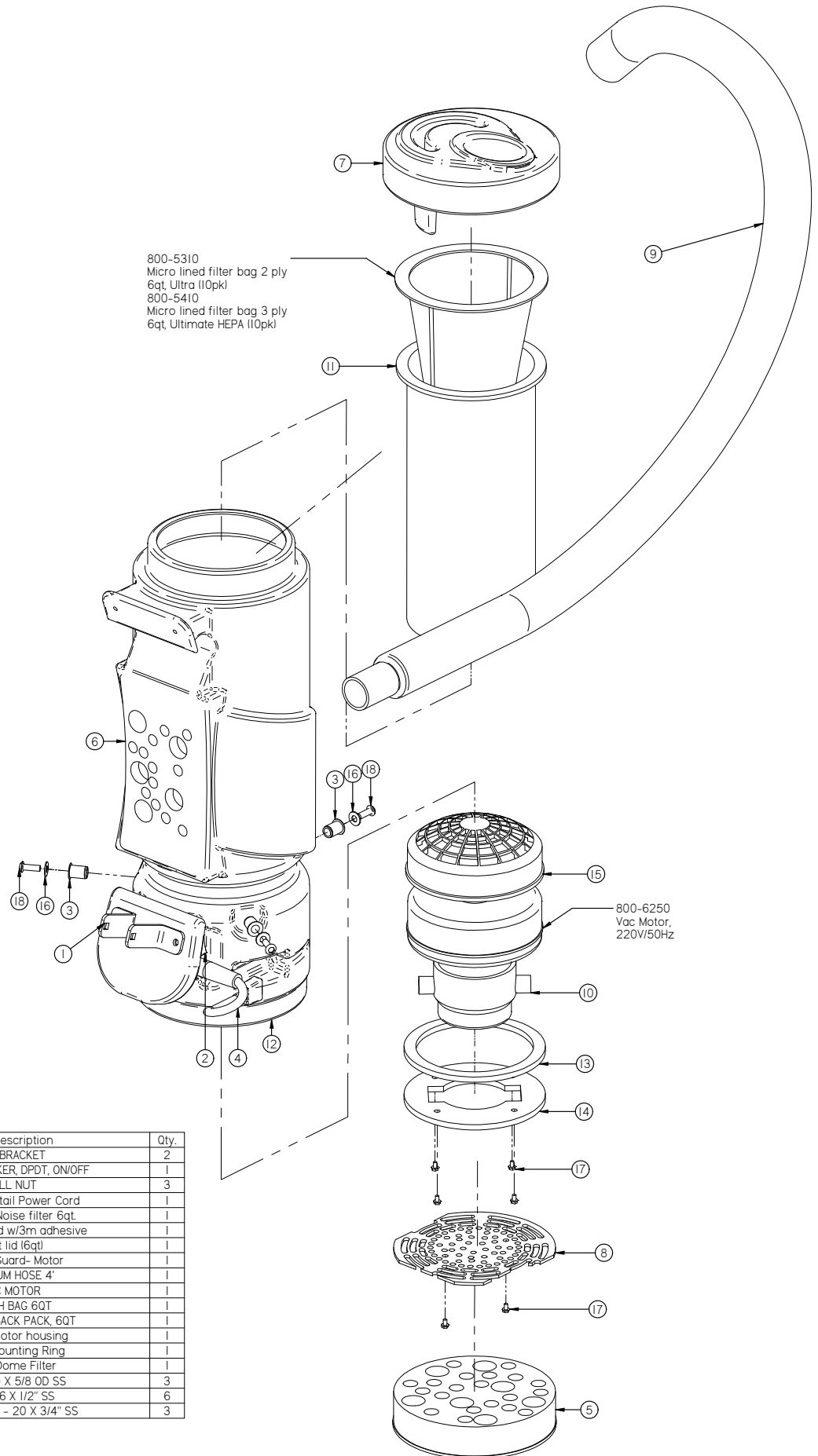
Item	Part No.	Part Description	Qty.	Item	Part No.	Part Description	Qty.
1	150-4480	HANDLE GRIP (BLUE)	1	24	H-0172519	CB #10-32 X 5/8" SS	1
2	170-4158	1/4" NPT VALVE	1	25	H-0172520	CB #10-32 X 3/4" SS	2
3	280-1070	TANK LID GASKET	1	26	H-11107629	FW #10 NYLON	5
4	280-1401	TANK LID	1	27	H-32404	FB #8-32 X 3/4"	6
5	280-4140	SOLUTION TANK	1	28	H-37408	KN #10-32	2
6	290-4149	1/4" NPT X 1/4" BARB X 90 DEG	1	29	H-70858	NYLOK #10-32 SS	5
7	300-01001Z	HAND GRIP	2	30	H-70862	NYLOK 3/8"-16 SS	1
8	300-01002Z	HANDLE PLUG	2	31	H-70888	HOLE PLUG 3/4"	2
9	300-01003Z	SWITCH BAR	1	32	H-71009	FW #10 SS	2
10	300-01004Z	SWITCH SPRING	2	33	H-71017	FW 3/8 ID X 7/8 OD SS	1
11	300-01005Z	MICRO SWITCH	1	34	H-71065	LW 5/16" SS	2
12	300-01006Z	CORD STRAIN RELIEF	1	35	H-71893	1/4 X 3/4 SELF TAPPING SCREW	2
13	300-01007Z	COVER	1	36	H-72390	PPH #6-32 X 1" MS S/S	2
14	300-01008Z	SWITCH ACTUATOR GUIDE	1	37	H-72517	PPH #10-32 X 5/8" SS	1
15	300-04042Z	CORD WRAP	1	38	H-72586	PPH 1/4-20 X 1/2" SS	2
16	300-05015Z	HANDLE BAR (1 PIECE SQ. TUBE)	1	39	H-72682	FHP #10-32 X 1/2" SS	1
17	300-2005	VALVE LEVER	1	40	H-73780	BHSCS 5/16-18 X 1	2
18	300-2006	PULL ROD	1	41	H-77017	HCS 1/4" - 20 X 3.5" SS	1
19	4-101	SERIAL NUMBER PLATE	1	42	M-4429K422	.50 MNPT X .25 FNPT BRASS	1
20	8-262	HOUR METER	1	43	M-6391K122	.25 OD X .1875 ID X .25 LG SLEEVE	2
21	8-436	DOWN PRESSURE CONTROL SPRING	1	44	M-9307K23	GROMMET, 3/8 ID X 7/8 OD X 1/8 TH.	3
22	EDGE-7203	5 INCH EDGE STICKER	1	45	M-9452K66	.125 X 2.25 X 2.5 O-RING	1
23	H-0167030	FLANGED NYLOK 1/4-20	1				

# ISOLATED HANDLEBARS



Item	Part No.	Part Description	Qty.	Item	Part No.	Part Description	Qty.
1	150-4480	HANDLE GRIP (BLUE)	1	29	H-0167030	FLANGED NYLOK 1/4-20	1
2	170-4158	1/4" NPT VALVE	1	30	H-0167032	FLANGED NYLOK 3/8-16	1
3	280-1070	TANL. LID GASKET	1	31	H-0172519	CB #10-32 X 5/8" SS	1
4	280-1401	TANK LID	1	32	H-0172520	CB #10-32 X 3/4" SS	2
5	280-4140	SOLUTION TANK	1	33	H-11107629	FW #10 NYLON	5
6	290-4149	1/4" NPT X 1/4" BARB X 90 DEG	1	34	H-32404	FB #8-32 X 3/4"	6
7	300-01001Z	HAND GRIP	2	35	H-37408	KN #10-32	2
8	300-01003Z	SWITCH BAR	1	36	H-70110	HCS 3/8"- 16 X 1-3/4" SS	1
9	300-01004Z	SWITCH SPRING	2	37	H-70858	NYLOK #10-32 SS	5
10	300-01005Z	MICRO SWITCH	1	38	H-70861	NYLOK 5/16" - 18 SS	1
11	300-01006Z	CORD STRAIN RELIEF	1	39	H-70862	NYLOK 3/8"-16 SS	1
12	300-01008Z	SWITCH ACTUATOR GUIDE	1	40*	H-70888	HOLE PLUG 3/4"	2
13	300-0234	SWITCH, ROCKER, DPDT, ON/OFF	1	41	H-71009	FW #10 SS	2
14	300-03015Z	LOWER HANDLE BAR SQ. TUBE	1	42	H-71017	FW 3/8 ID X 7/8 OD SS	1
15	300-03016Z	HANDLE BAR COUPLER	1	43	H-71065	LW 5/16" SS	2
16	300-04042Z	CORD WRAP	1	44	H-71216	FNW 3/8 ID X 1-1/4 OD SS	1
17	300-05018Z	VAC HOSE COUPLER	1	45	H-71893	1/4 X 3/4 SELF TAPPING SCREW	2
18	300-06007Z	COVER	1	46	H-72390	PPH #6-32 X 1" MS S/S	2
19	300-06017Z	UPPER ISOLATED HANDLE BAR	1	47	H-72517	PPH #10-32 X 5/8" SS	1
20	300-06018Z	VAC HOSE COUPLER	1	48	H-72586	PPH 1/4-20 X 1/2" SS	2
21	300-06019Z	SOLID ISOLATED HANDLE BAR	1	49	H-72682	FHP #10-32 X 1/2" SS	1
22	300-2005	VALVE LEVER	1	50	H-73780	BHSCS 5/16-18 X 1	2
23	300-2006	PULL ROD	1	51	H-77017	HCS 1/4"- 20 X 3.5" SS	1
24	4-101	SERIAL NUMBER PLATE	1	52	M-4429K422	.50 MNPT X .25 FNPT BRASS	1
25	8-262	HOUR METER	1	53	M-6391K122	.25 OD X .1875 ID X .25 LG SLEEVE	2
26	8-436	DOWN PRESSURE CONTROL SPRING	1	54	M-9307K23	GROMMET, 3/8 ID X 7/8 OD X 1/8 TH.	3
27	H-	GROMMET, 1" ID X 2.0" OD BUNA-N	2	55	M-9452K66	.125 X 2.25 X 2.5 O-RING	1
28	H-0120678	.375 ZINK ROUND DOUBLE WIRE SNAPPER PIN,par	1				

# ONBOARD VACUUM



Item	Part No.	Part Description	Qty.
1	300-1008	VAC BRACKET	2
2	800-0234	SWITCH, ROCKER, DPDT, ON/OFF	1
3	800-1012	WELL NUT	3
4	800-1014	17 inch Pigtail Power Cord	1
5	800-1137	Dual Cell Noise filter 6qt.	1
6	800-1431	Backrest Pad w/3m adhesive	1
7	800-1450	Inlet lid 16qt	1
8	800-2140	Finger Guard- Motor	1
9	800-4074	VACUUM HOSE 4'	1
10	800-5250	VAC MOTOR	1
11	800-6021	CLOTH BAG 6QT	1
12	800-7006	HOUSING BACK PACK, 6QT	1
13	800-7080	Gasket Motor housing	1
14	800-7340	Motor Mounting Ring	1
15	800-9130	HEPA Dome Filter	1
16	H-71013	FW 1/4 ID X 5/8 OD SS	3
17	H-72904	STS #6 X 1/2" SS	6
18	H-73754	BHSCS 1/4 - 20 X 3/4" SS	3

**BLANK**  
THIS PAGE WAS INTENTIONALLY LEFT BLANK

**TOMCAT**<sup>®</sup>

1711 South Street  
Racine, WI 53404  
[www.tomcatequip.com](http://www.tomcatequip.com)  
Tel. US: 800-450-9824  
Tel. Int: (001) 262-681-6470