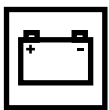
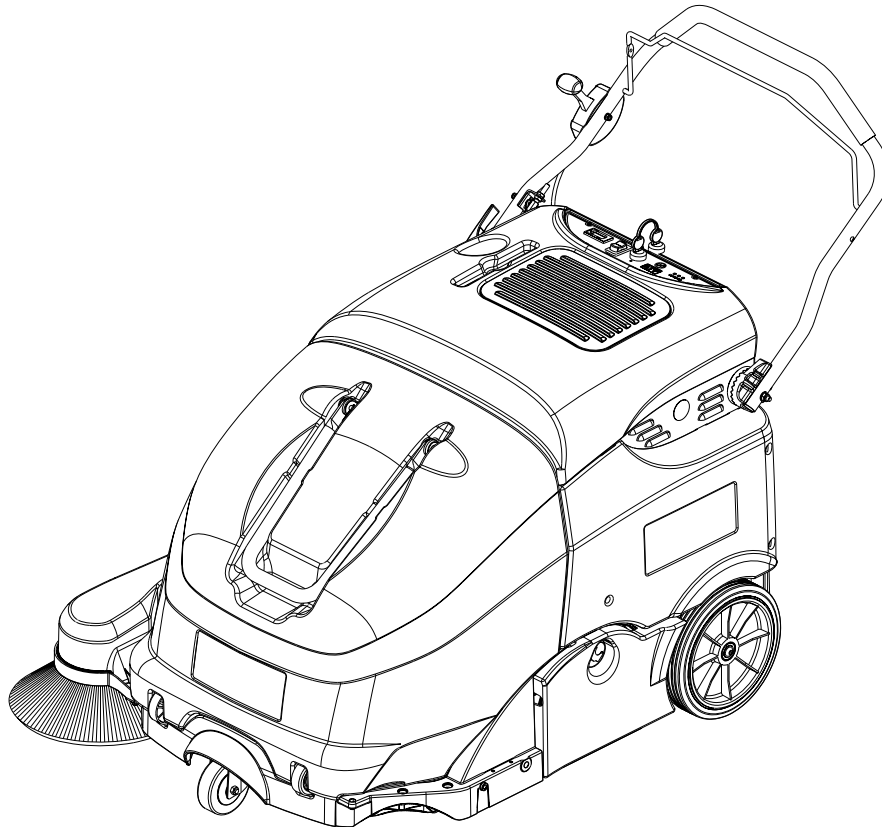


SW900

Parts list

08/2013 Revised 01/2018
(C)
FORM NO. 1465375000



Model No.:
9084112010

TABLE OF CONTENTS

GENERAL VIEW	2
CHASSIS SYSTEM.....	4
FRAME SYSTEM.....	6
SKIRT SYSTEM.....	8
COVERS SYSTEM.....	10
CONTROL PANEL SYSTEM.....	12
HANDLE SYSTEM.....	14
TRASMISSION SYSTEM.....	16
WHEELS SYSTEM.....	18
MAIN BROOM SYSTEM.....	20
RIGHT BROOM.....	22
LEFT BROOM (OPTIONAL).....	24
FILTER SYSTEM.....	26
FILTER SHAKER MANUAL.....	28
HOPPER SYSTEM.....	30
ELECTRICAL SYSTEM.....	32
WIRING DIAGRAM.....	34
RECOMMENDED PARTS.....	36
ACCESSORIES/OPTIONALS.....	37

WHEN ORDERING PARTS

- Use the part numbers from the “REF. NO.” columns in this parts list. If the “REF. NO.” column is blank; look under the “KIT” column to identify which kit contains the part in question, then use the kit callout, for example “K1”, to find the “REF. NO.” for that kit.
- Specify the model number and serial number of the machine.
- Use the space below to record the model and serial number for future reference.

Model No.

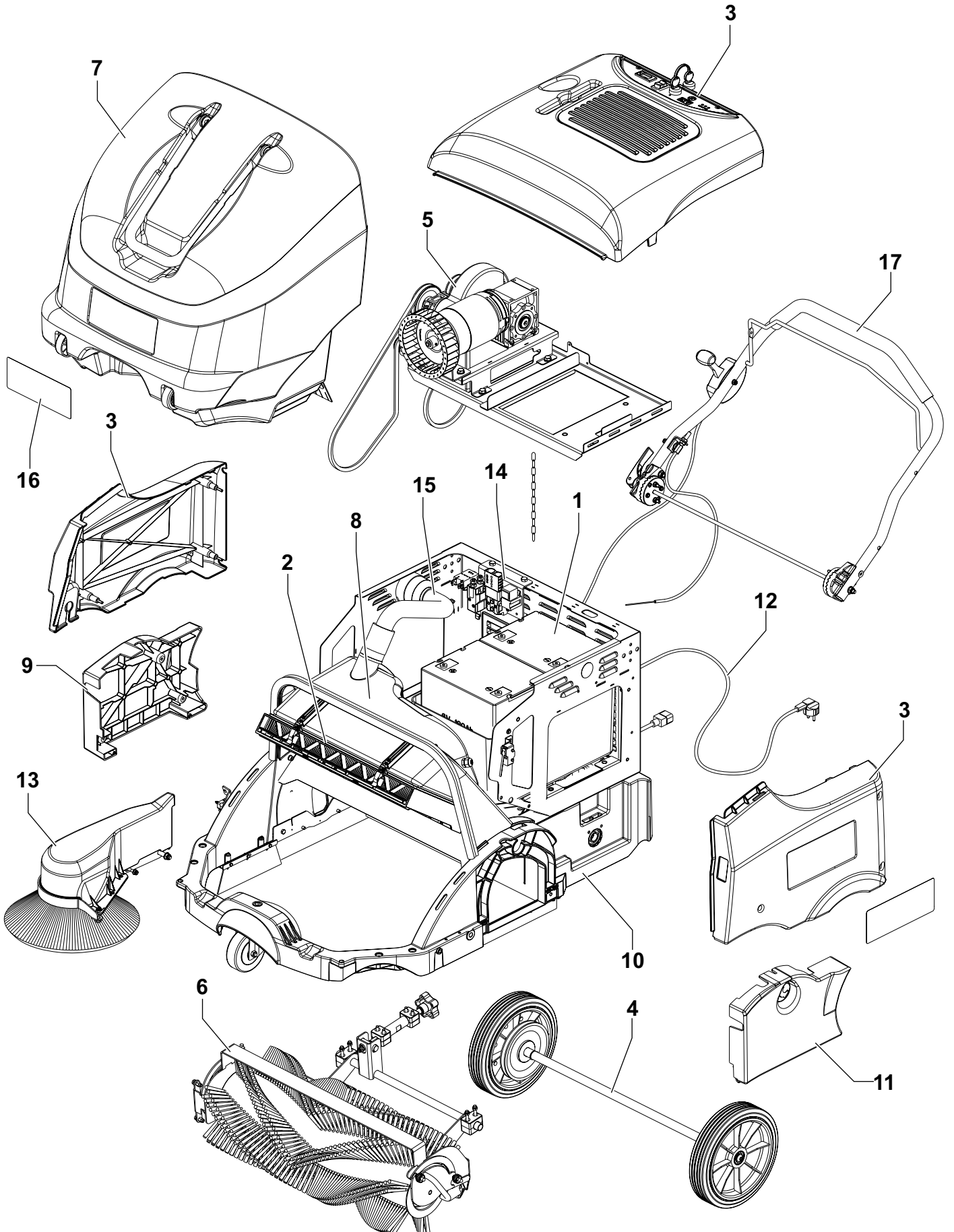
Serial No.

* = Optional

= Modified item No. or New item No.

[] = Not shown

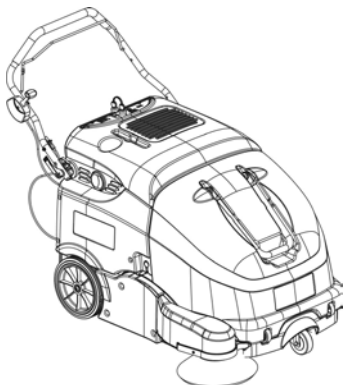
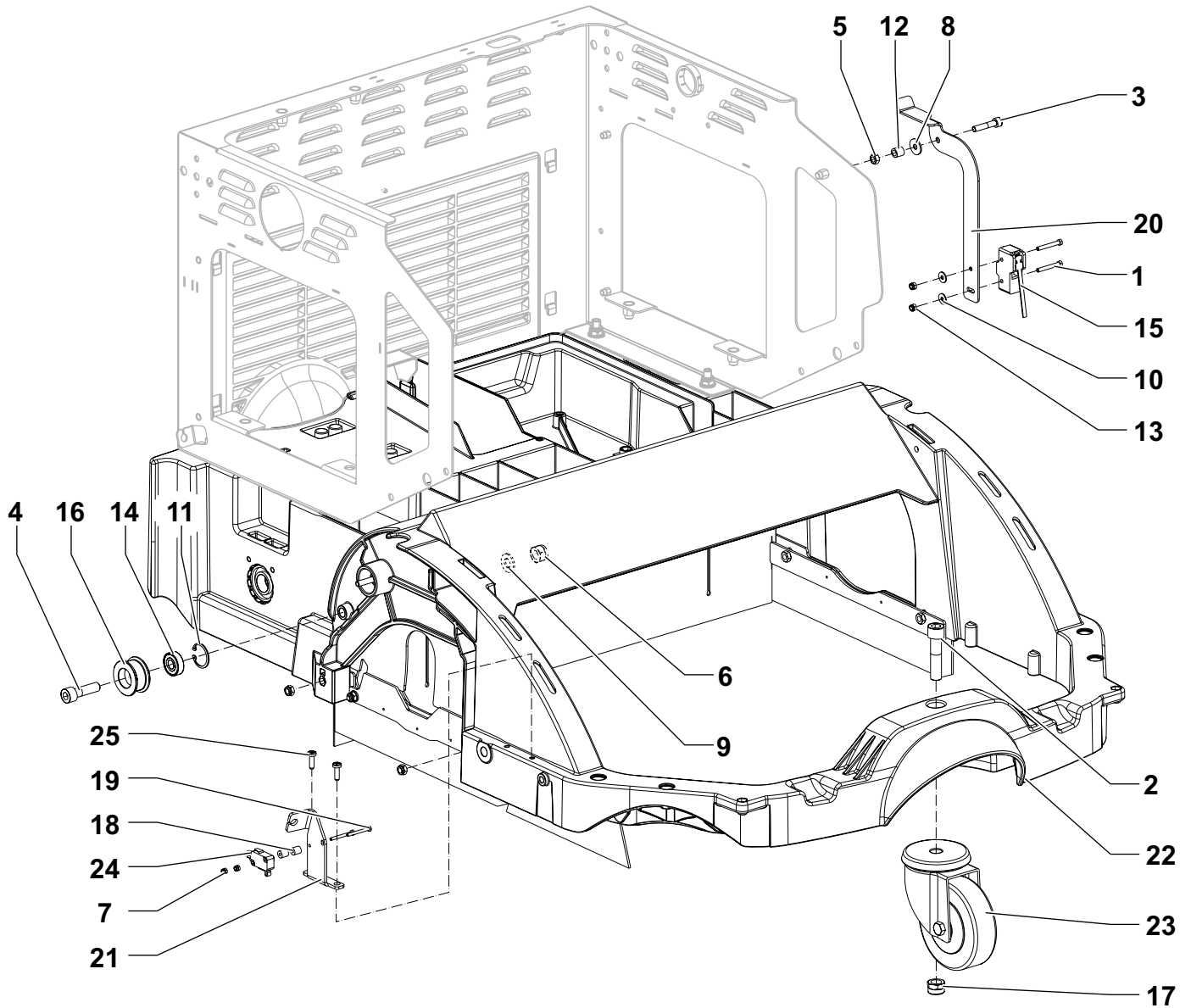
GENERAL VIEW



GENERAL VIEW

KIT	ITEM	REF. NO.	QTY	DESCRIPTION	NOTE
	1*	80564400	1	BATT. 12V-105AH GEL MONOBLOC	
	1*	80564600	1	BATT. 6V-110AH WET TUBULAR MONOBLOC	
	1*	80564000	2	BATT. 6V-180AH GEL MONOBLOC	
	1*#	80563211	2	BATT. 6V-175Ah WET Tubular Monobloc	
	2	-	1	FILTER ASSEMBLY	
	3	-	1	COVERS PROTECTION ASSEMBLY	
	4	-	1	WHEELS TRACTION ASSEMBLY	
	5	-	1	TRANSMISSION ASSEMBLY	
	6	-	1	CENTRAL BROOM ASSEMBLY	
	7	-	1	HOPPER ASSEMBLY	
	8	-	1	SHAKER ELECTRIC FILTER ASSEMBLY	
	9	-	1	HATCH RIGHT ASSEMBLY	
	10	-	1	CHASSIS ASSEMBLY	
	11	-	1	HATCH LEFT ASSEMBLY	
	12	-	1	BATTERY CHARGER ASSEMBLY	
	13	-	1	BROOM RIGHT SIDE ASSEMBLY	
	14	-	1	WIRING SYSTEM ASSEMBLY	
	15	-	1	WET BY-PASS ASSEMBLY	
	16	1465459000	1	DECALS SW900 33 KIT	
	17	-	1	HANDLE BAR ASSEMBLY	

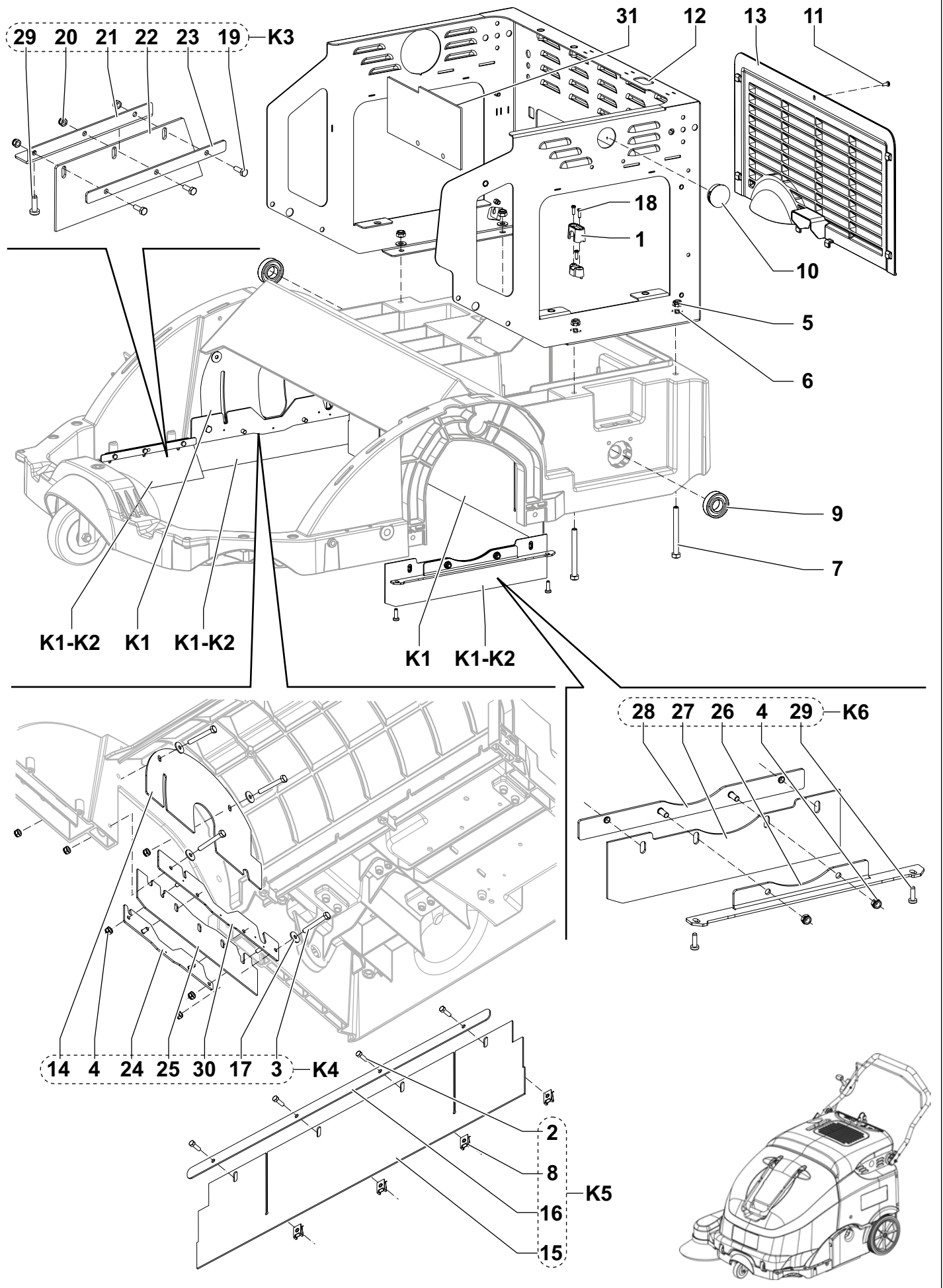
CHASSIS SYSTEM



CHASSIS SYSTEM

KIT	ITEM	REF. NO.	QTY	DESCRIPTION	NOTE
K1	1		2	SCREW M4X30 UNI5739	
K1	2		1	SCREW M12X50 UNI5931 SS	
K1	3		1	SCREW M6X30 UNI5931	
K1	4		1	SCREW M10X35 UNI5931	
K1	5		1	NUT SELF L. M6 UNI7474	
K1	6		1	NUT SELF L. M10 UNI7473	
K1	7		2	NUT SELF L. M3 UNI7474	
K1	8		1	WASHER 6X18 UNI6592	
K1	9		1	WASHER M10 UNI6592	
K1	10		2	WASHER 4X12 UNI6593	
K1	11		1	RING D 26 UNI7437	
K1	12		1	SPACER 6.5X10X10	
K1	13		2	NUT SELF L. M4 UNI7474	
K1	14		1	BALL BEARING 6000 2RS	
	15#	1466506000	1	MICROSWITCH 10A 250V SIP	
K1	16		1	ROLLER BELT TENSIONER	
K1	17		1	NUT SELF L. M12 UNI7474	
K1	18		2	SPACER 3X8X9	
K1	19		2	SCREW M3X30 UNI5737	
	20	1464998000	1	BRACKET FOR CONTAINER-COVER SWITCH	
	21	1465013000	1	SUPPORT RIGHT SIDE BROOM SWITCH	
	22	1465015000	1	CHASSIS	
	23	909 6602 000	1	WHEEL CASTOR D.100X30 GALV.	
	24#	9100000792	1	MICROSWITCH 16A 250V SIP	
K1	25		2	SCREW CYL HD 5X16 SELF L.	
	[K1]	1465461000	1	HARDWARE CHASSIS KIT	

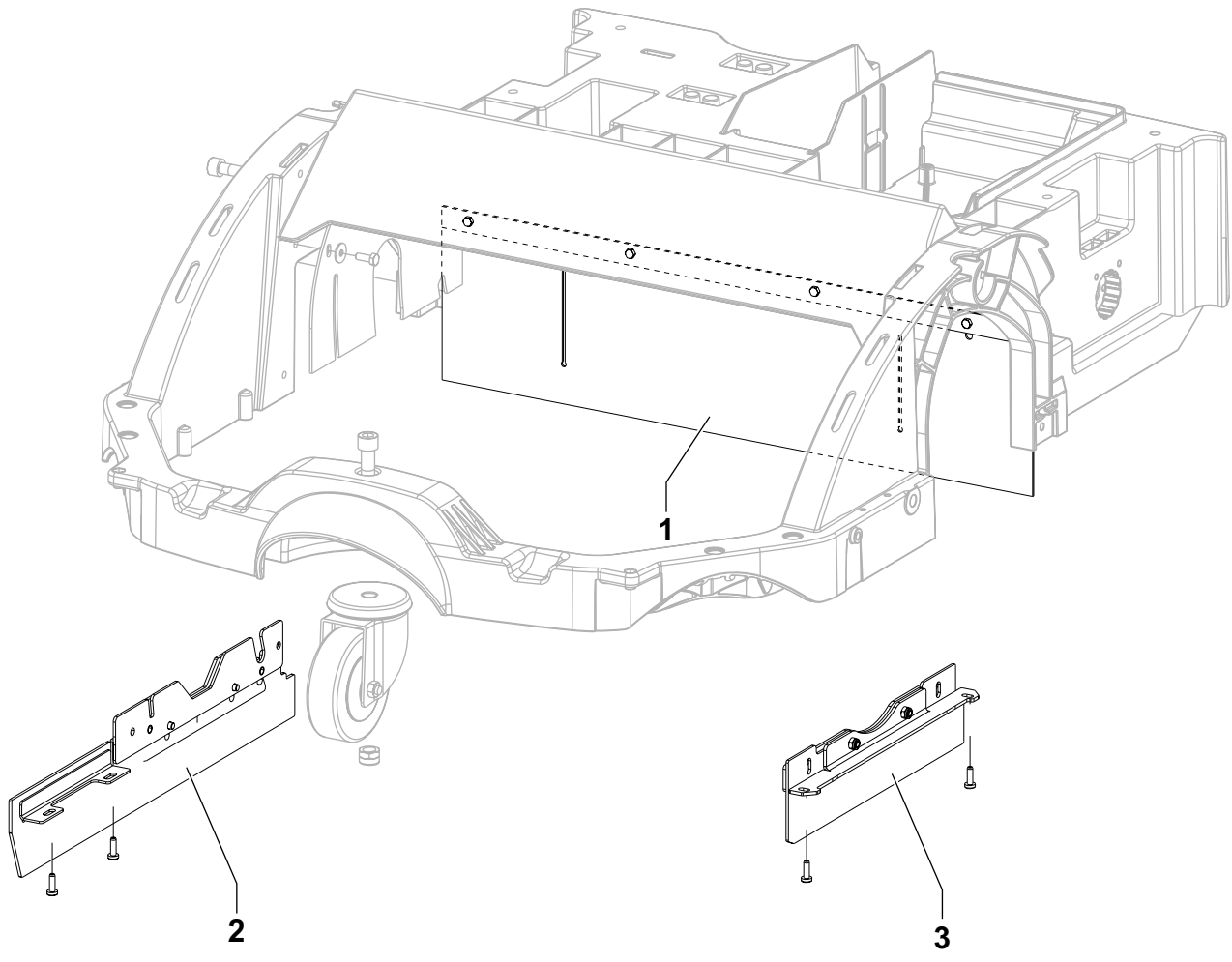
FRAME SYSTEM



FRAME SYSTEM

KIT	ITEM	REF. NO.	QTY	DESCRIPTION	NOTE
K7	1		1	CAP BRACKET	
K5-7	2		4	SCREW M5X16 UNI5739	
K4-7	3		4	SCREW M6X45 UNI5739	
K4-7	4		6	NUT SELF L. M6 UNI7474	
K7	5		4	NUT SELF L. M8 UNI7474	
K7	6		4	WASHER M8 UNI6592	
K7	7		4	SCREW M8X75 UNI5739	
K5-7	8#	1467722000	2	CLIP GALV.FOR SCREW M5 2 PCS SET	
K7	9		2	BEARING BALL 6004 2RS	
	10	145 9835 000	1	PLUG DOME PLASTIC BLACK D.38.1	
K7	11		1	SCREW THREAD ROLLING M4X12	
	12	1464654000	1	CHASSIS REAR	UNTIL S/N SEE WEB PARTS
	12#	1467619000	1	PANEL MET. BLACK F CHASSIS SIP	STARTING FROM S/N SEE WEB PARTS
	13	1464655000	1	GRID REAR VENTING	
K1-4	14		1	PROTECTION RUBBER RIGHT SIDE	
K1-5	15		1	SKIRT, REAR	
K5-7	16		1	PLATE REAR FLAP	
K4-7	17		2	WASHER 6X18 UNI6592	
K7	18		3	SCREW 3.5X12	
K3-7	19		3	SCREW M4X12 UNI5739	
K3	20		3	NUT SELF L. M4 UNI7474	
K3	21		1	SUPPORT FOR RECYCLING SKIRT	
K1-3	22		1	SKIRT RECYCLING	
K3	23		1	PLATE FOR RECYCLING SKIRT	
K4	24		1	PLATE FOR RIGHT SKIRT EXTERNAL	
K1-4	25		1	SKIRT RIGHT SIDE	
K6	26		1	PLATE FOR LEFT SKIRT EXTERNAL	
K1-6	27		1	SKIRT LEFT SIDE	
K6	28		1	PLATE FOR LEFT SKIRT INTERNAL	
K3-6	29		4	SCREW CYL HD 5X16 SELF L.	
K4	30		1	PLATE FOR RIGHT SKIRT INTERNAL	
	31#	1467621000	1	COVER PLASTIC REAR F SLOTS KIT	STARTING FROM S/N SEE WEB PARTS
	K1	1465463000	1	SKIRTS KIT	UNTIL S/N 3810152500015
	K2*	1465541000	1	SKIRTS NO MARKING KIT	
	K3	1465595000	1	SKIRTS RECYCLING KIT	UNTIL S/N 3810152500015
	K4	1465596000	1	SKIRT RIGHT SIDE KIT	UNTIL S/N 3810152500015
	K5	1465597000	1	SKIRT REAR KIT	UNTIL S/N 3810152500015
	K6	1465598000	1	SKIRT LEFT SIDE KIT	UNTIL S/N 3810152500015
	[K7]	1465462000	1	HARDWARE REAR CHASSIS KIT	

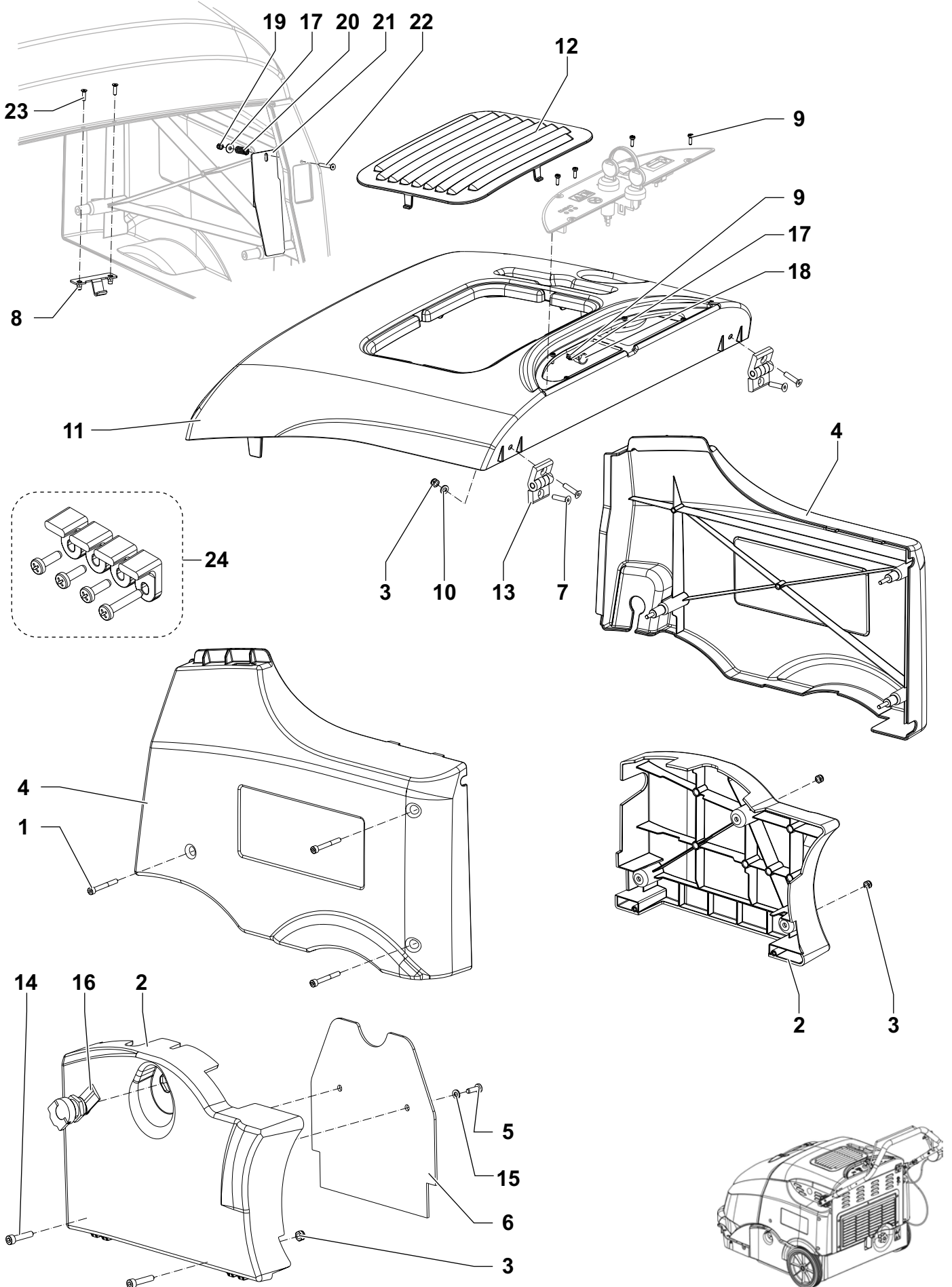
SKIRT SYSTEM



SKIRT SYSTEM

KIT	ITEM	REF. NO.	QTY	DESCRIPTION	NOTE
	1	1465597000	1	SKIRT REAR KIT	UNTIL S/N 3810152500015
	1#	1466491000	1	SKIRT CENTRAL REAR KIT	STARTING FROM S/N 3810152500016 - SEE TSB-FC-2015-014
	2	1465596000	1	SKIRT RIGHT SIDE KIT	UNTIL S/N 3810152500015
	2	1465595000	1	SKIRTS RECYCLING KIT	UNTIL S/N 3810152500015
	2#	1466488000	1	SKIRT RECYCLING RT SIDE KIT	(1466484000) INSTALLATION INSTRUCTIONS STARTING FROM S/N 3810152500016 - SEE TSB-FC-2015-014
	3	1465598000	1	SKIRT LEFT SIDE KIT	UNTIL S/N 3810152500015
	3#	1466490000	1	SKIRT LT SIDE KIT	FOR ONE SIDE BROOM ONLY STARTING FROM S/N 3810152500016 - SEE TSB-FC-2015-014
	3#	1466489000	1	SKIRT RECYCLING LT SIDE KIT	FOR TWO SIDE BROOM ONLY (1466485000) INSTALLATION INSTRUCTIONS STARTING FROM S/N 3810152500016 - SEE TSB-FC-2015-014
	[4]	1465463000	1	SKIRTS KIT	INCLUDED POS. 1,2,3 - UNTIL S/N 3810152500015

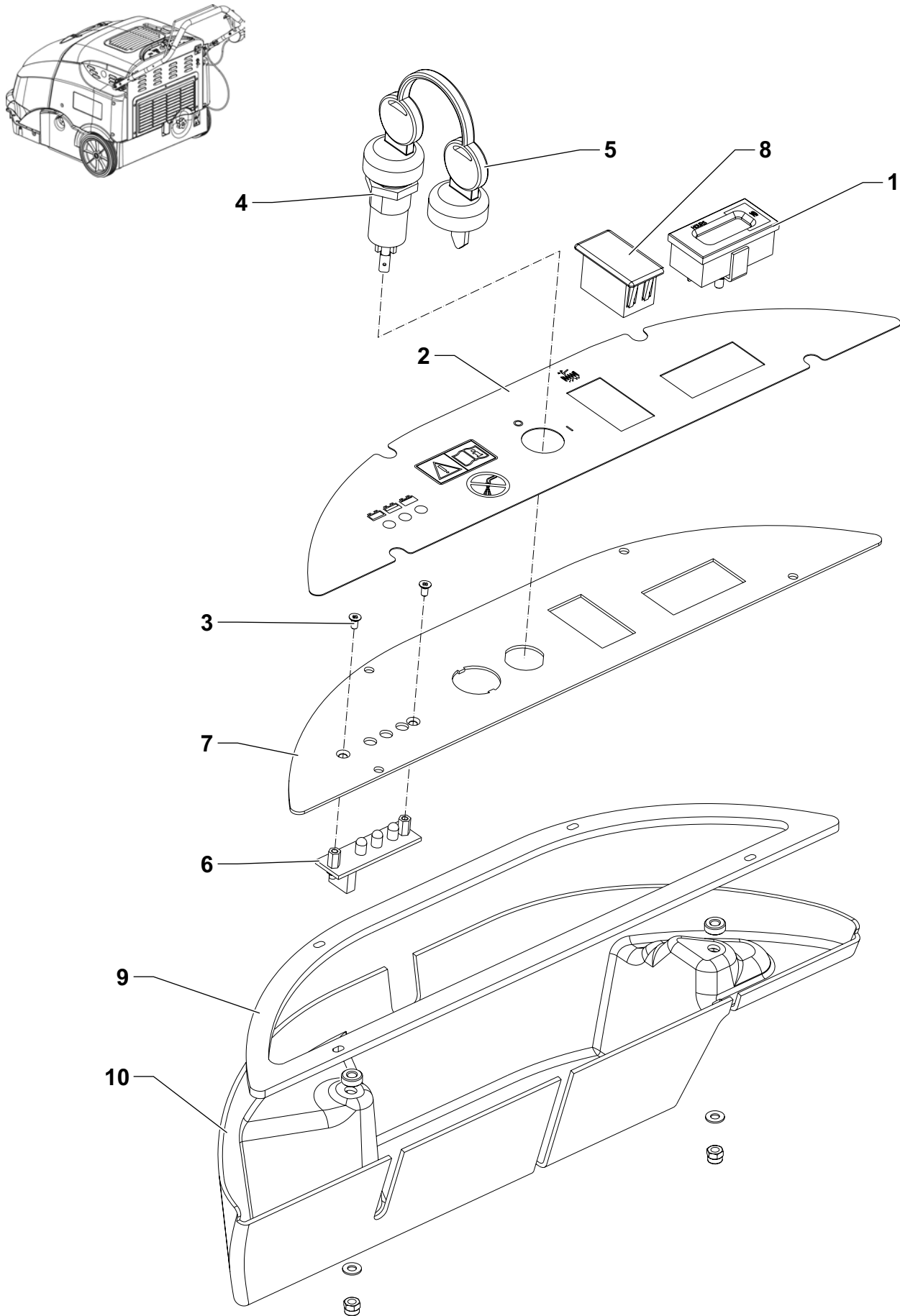
COVERS SYSTEM



COVERS SYSTEM

KIT	ITEM	REF. NO.	QTY	DESCRIPTION	NOTE
K1	1		6	SCREW M5X35 UNI5931	
	2	1465545000	1	COVER UPPER BLACK KIT	
K1	3		5	NUT SELF L. M6 UNI7474	
	4	1465546000	1	COVERS SIDE GREY KIT	
K1	5		2	SCREW CYL HD 5X16 SELF L.	
	6	1465104000	1	SKIRT PROTECTION	
K1	7		4	EXCHANGE HEAT	
	8	1465482000	1	HOOK FOR BONNET CLOSING	
K1	9		5	SCREW 3.5X12	
K1	10		2	WASHER 6X24X2 UNI6593	
	11#	1466000000	1	COVER UPPER PLASTIC GREY SIP	
	12	1464696000	1	COVER UPPER FOR BATTERY	
K1	13		2	HINGE PLASTIC	
K1	14		2	SCREW M6X40 UNI5739	
K1	15		2	WASHER 5X15 UNI6593	
	16	1464896000	1	LATCH WITH FOLD AWAY	
K1	17		2	WASHER 4X12 UNI6593	
K1	18		1	CLAMP.CABLE	
K1	19		1	NUT SELF L. M4 UNI7474	
K1	20		1	SPRING	
	21	1465527000	1	PROTECTION POLY FOR MICROSWITCH	
K1	22		1	SCREW M4X30 UNI5933	
K1	23		2	SCREW M4X14 UNI7688	
	24#	1465920000	1	FIXING COVER KIT	
	[K1]	1465464000	1	HARDWARE COVERS KIT	

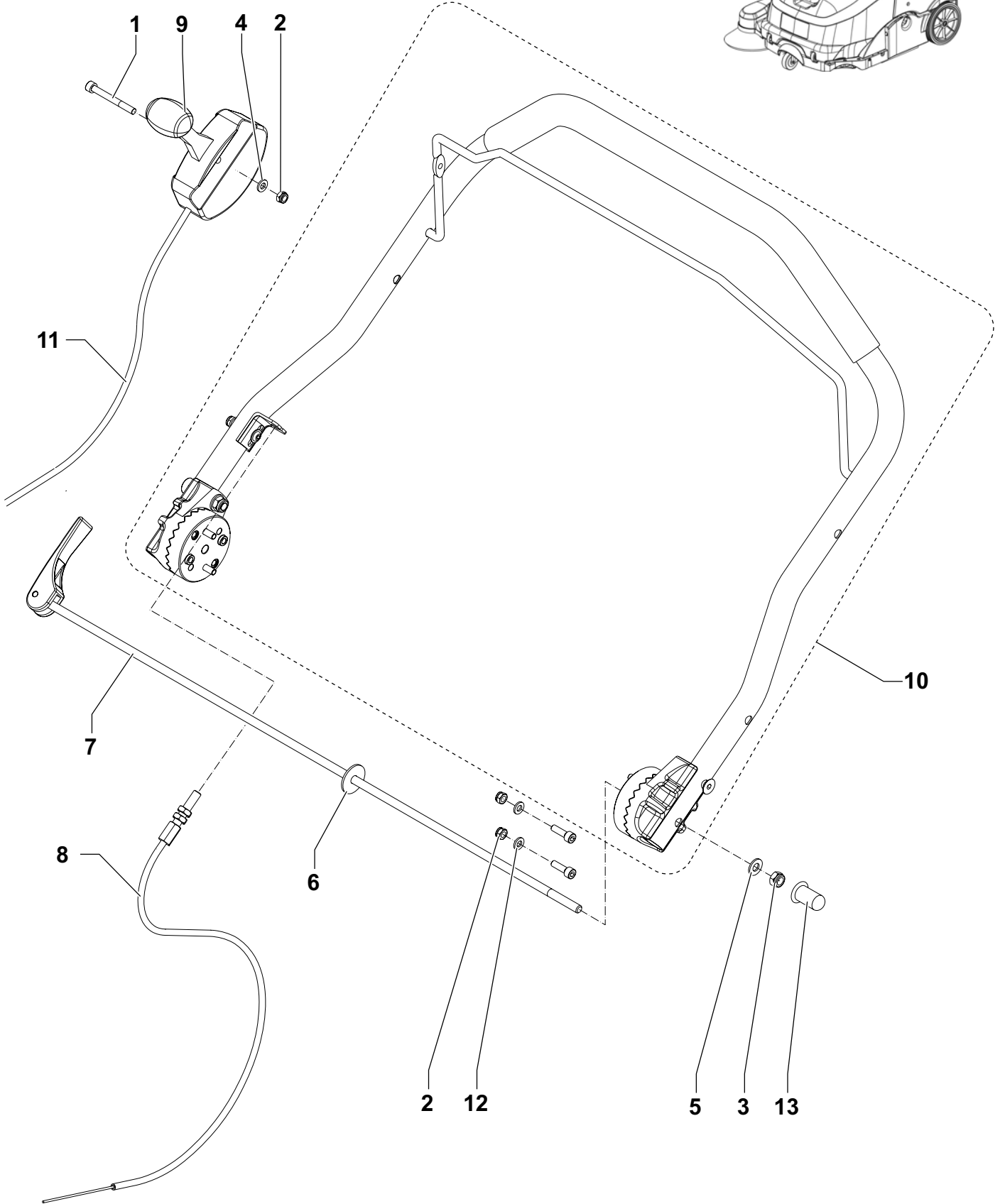
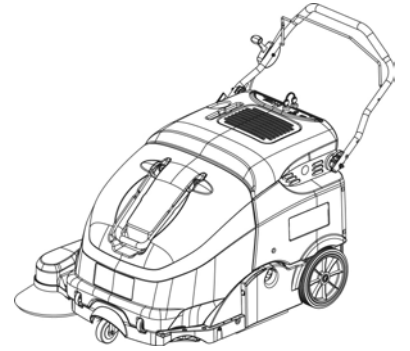
CONTROL PANEL SYSTEM



CONTROL PANEL SYSTEM

KIT	ITEM	REF. NO.	QTY	DESCRIPTION	NOTE
	1*#	9096951000	1	COUNTER HOUR 24V KIT	
	2#	1465010000	1	DECAL CONTROL PANEL	
	3	909 5284 000	2	SCREW M3X6 UNI7688	
	4#	9100001354	1	SWITCH IGNITION STARTER WITH CAP SIP	
	5#	146 2887 000	1	KEY 2 PCS	
	6	146 3073 000	1	BOARD LED	
	7	1464765000	1	PANEL CONTROL	UNTIL S/N SEE WEB PARTS
	7#	1467613000	1	PANEL CONTROL GALV. KIT	STARTING FROM S/N SEE WEB PARTS
	8#	909 5836 000	1	CAP	
	9#	1467612000	1	GASKET F CONTROL PANEL SIP	STARTING FROM S/N SEE WEB PARTS
	10#	1467614000	1	COVER PLASTIC F PANEL CONTROL KIT	STARTING FROM S/N SEE WEB PARTS

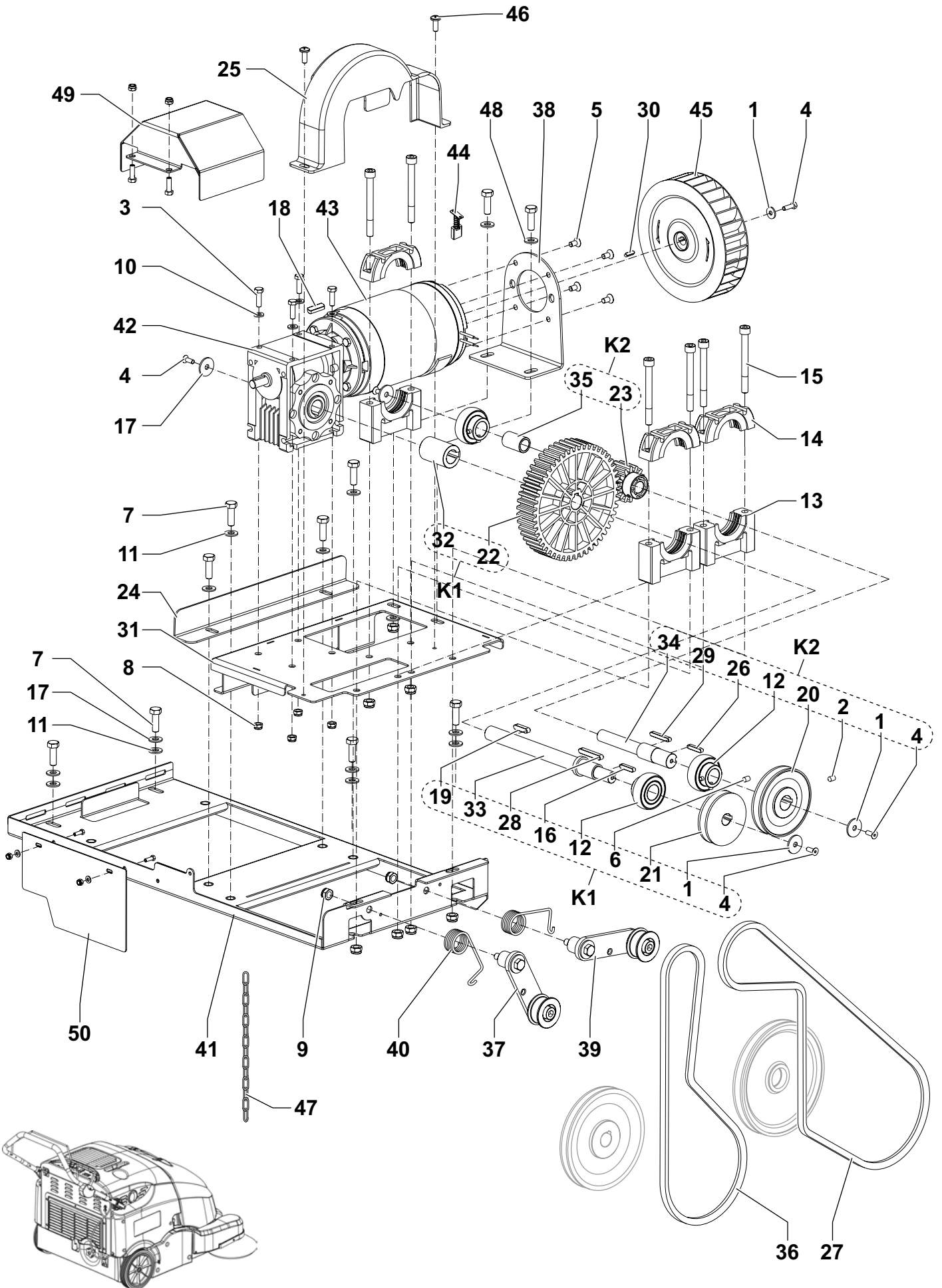
HANDLE SYSTEM



HANDLE SYSTEM

KIT	ITEM	REF. NO.	QTY	DESCRIPTION	NOTE
K1	1		1	SCREW M6X55 UNI5931 D.6X55	
K1	2		6	NUT SELF L. M6 UNI7474	
K1	3		1	NUT SELF L. M8 UNI7474	
K1	4		1	WASHER M6 UNI6592	
K1	5		1	WASHER M8 UNI6592	
K1	6		1	WASHER 8X32X2	
	7	1464673000	1	LEVER HANDLE RELEASE	
	8	1464908000	1	CABLE TRACTION	
	9	1465017000	1	LEVER RIGHT SIDE BROOM CONTROL	
	10	1465222000	1	HANDLE BAR STRAIGHT	
	11	1465532000	1	CABLE FOR SIDE BROOM LEVER	
K1	12		4	WASHER 6X18 UNI6592	
	13#	1467588000	1	CAP PLASTIC F THREAD SIP	
	[K1]	1465466000	1	HARDWARE HANDLE KIT	

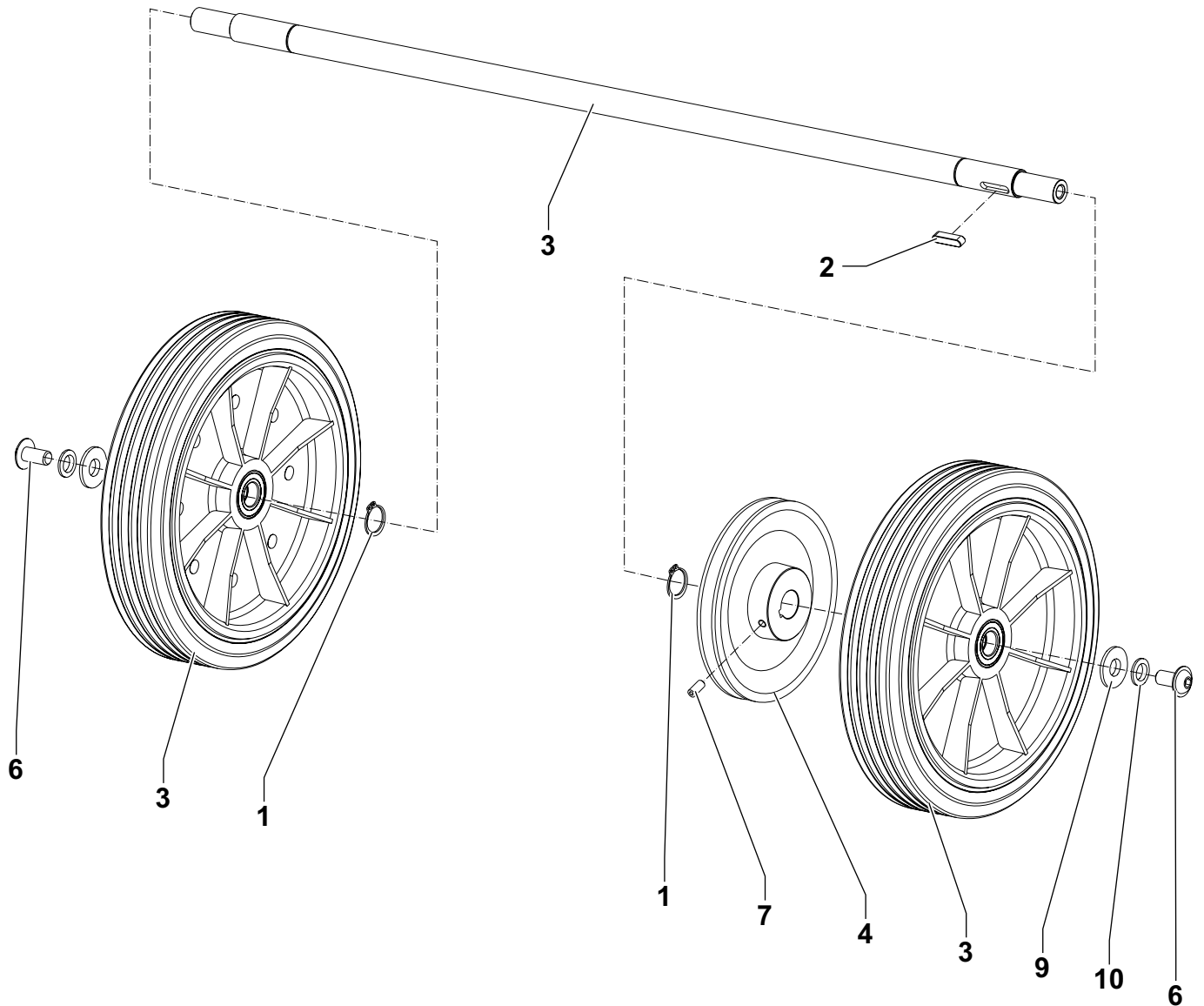
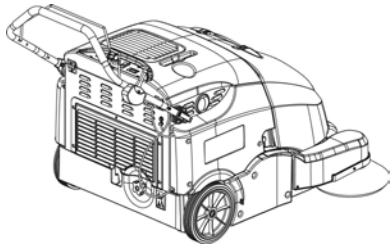
TRANSMISSION SYSTEM



TRASMISSION SYSTEM

KIT	ITEM	REF. NO.	QTY	DESCRIPTION	NOTE
K1-2-3	1		5	WASHER 6X24X2 UNI6593	
	K2		1	SCREW GRUB M6X10 UNI5929	
	K3		4	SCREW M6X20 UNI5739	
K1-2-3	4		5	SCREW M5X14 UNI5933	
	K3		4	SCREW M6X12 UNI5933	
	K1		1	SCREW GRUB M5X10 UNI5929	
	K2		10	SCREW M8X25 UNI5739 GALVANIZED	
	K3		4	NUT SELF L. M6 UNI7474	
	K3		8	NUT SELF L. M8 UNI7474	
	K3		8	WASHER M6 UNI6592	
	K3		8	WASHER M8 UNI6592	
K1-2	12	145 1123 000	3	BALL BEARING YAT204	
	13	145 1976 000	3	SUPPORT BEARING LOWER	
	14	145 1977 000	3	SUPPORT BEARING UPPER	
	K3		6	SCREW M8X80 UNI5931	
	K1		1	KEY 5X5X25 UNI6604A	
	K3		6	WASHER M8 UNI1751B	
	K3		1	KEY 5X5X20 UNI6604A	
	K1		1	KEY 6X6X25 UNI6604A	
	K2		1	PULLEY D.85	
	K1		1	PULLEY D.65	
	K1	22# 1466521000	1	GEAR SPUR PLASTIC 150P 50T SIP	
	K2	23# 1466522000	1	GEAR SPUR PLASTIC 42P 14T SIP	
	24	146 0543 000	1	BRACKET BATTERY RETAINING	
	25	146 0605 000	1	COVER	
	K3		1	KEY 3/16X3/16X1	
	27#	1467726000	1	BELT V COGGED XPZ 1162 SIP	
	K1		1	KEY 6X6X40 UNI6604A	
	K3		1	KEY 5X5X36 UNI6604A	
	K3		1	KEY 4X4X15 UNI6604A	
	31	1464681000	1	SUPPORT GEAR BOX	
	K1		1	SPACER TRANSMISSION SHAFT	
	K1		1	SHAFT TRACTION WHEELS	
	K2		1	SHAFT MAIN BROOM	
	K2		1	SPACER BROOM SHAFT	
	36#	1467644000	1	BELT V COGGED XPZ 912 SIP	
	37	1465601000	1	TENSIONER BELT WHEELS KIT	
	38	1464703000	1	SUPPORT BEARING	
	39	1465602000	1	TENSIONER BELT BROOM KIT	
	40	1464719000	2	SPRING TORSION 2.8X24	
	41	1464722000	1	PLATE TRANSMISSION SUPPORT	UNTIL S/N SEE WEB PARTS
	41#	1467622000	1	PLATE TRANSMISSION SUPPORT GALV SIP	STARTING FROM S/N SEE WEB PARTS
	42	1464725000	1	REDUCTION GEAR COMPLETE	
	43	1464744000	1	MOTOR ELECTRIC 12V 680W	
	44	1464433000	1	BRUSH CARBON KIT 4PCS	
	45	1464747000	1	FAN D.160 X40	
	K3		2	SCREW THREAD ROLLING M6X12	
	47	1465607000	1	CHAIN GROUND KIT	
	K3		4	WASHER 8X24 UNI6593	
	49#	1467620000	1	COVER MET.BLACK F MOTOR KIT	STARTING FROM S/N SEE WEB PARTS
	50#	1467618000	1	COVER PLASTIC BLACK F BATT. CHARGER KIT	STARTING FROM S/N SEE WEB PARTS
	K1#	1466784000	1	SHAFT TRACTION KIT	
	K2#	1466785000	1	SHAFT BROOM KIT	
	[K3]	1465467000	1	HARDWARE TRASMISSION KIT	

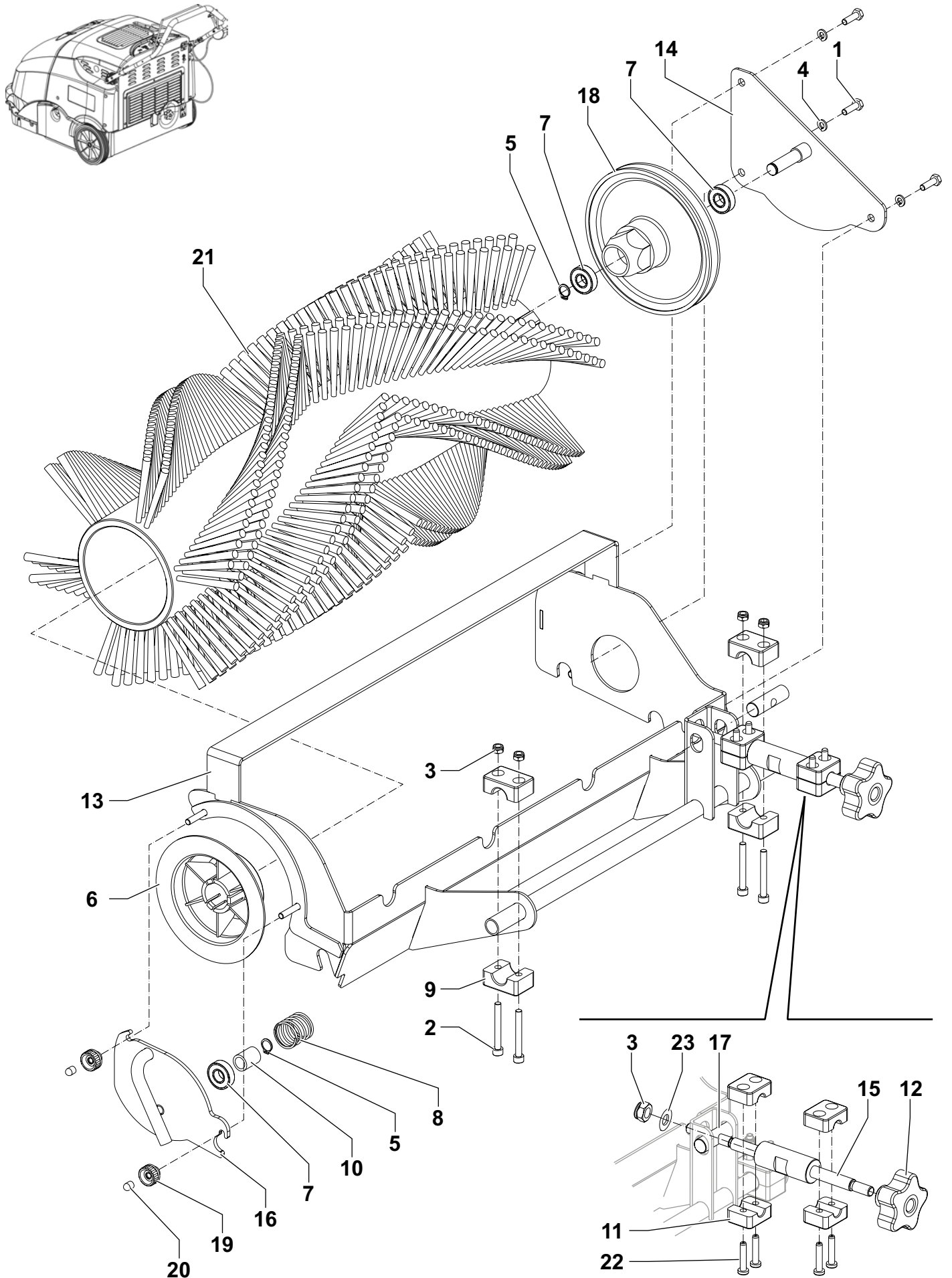
WHEELS SYSTEM



WHEELS SYSTEM

KIT	ITEM	REF. NO.	QTY	DESCRIPTION	NOTE
K1	1		2	RING D 20 UNI7436	
K1	2		1	KEY 6X6X25 UNI6604A	
	3#	1466077000	1	SHAFT TRACTION WHEELS KIT	SEE TSB-FC-2014-039
K1	4		1	PULLEY D.140	
K1	6		2	SCREW M10X20 ISO7380FLA	
K1	7		1	SCREW GRUB M6X14 UNI5929	
K1	9		2	WASHER 10X30 UNI6592	
K1	10		2	WASHER NORD LOCK M10	
	[K1]	1465469000	1	HARDWARE WHEELS KIT	

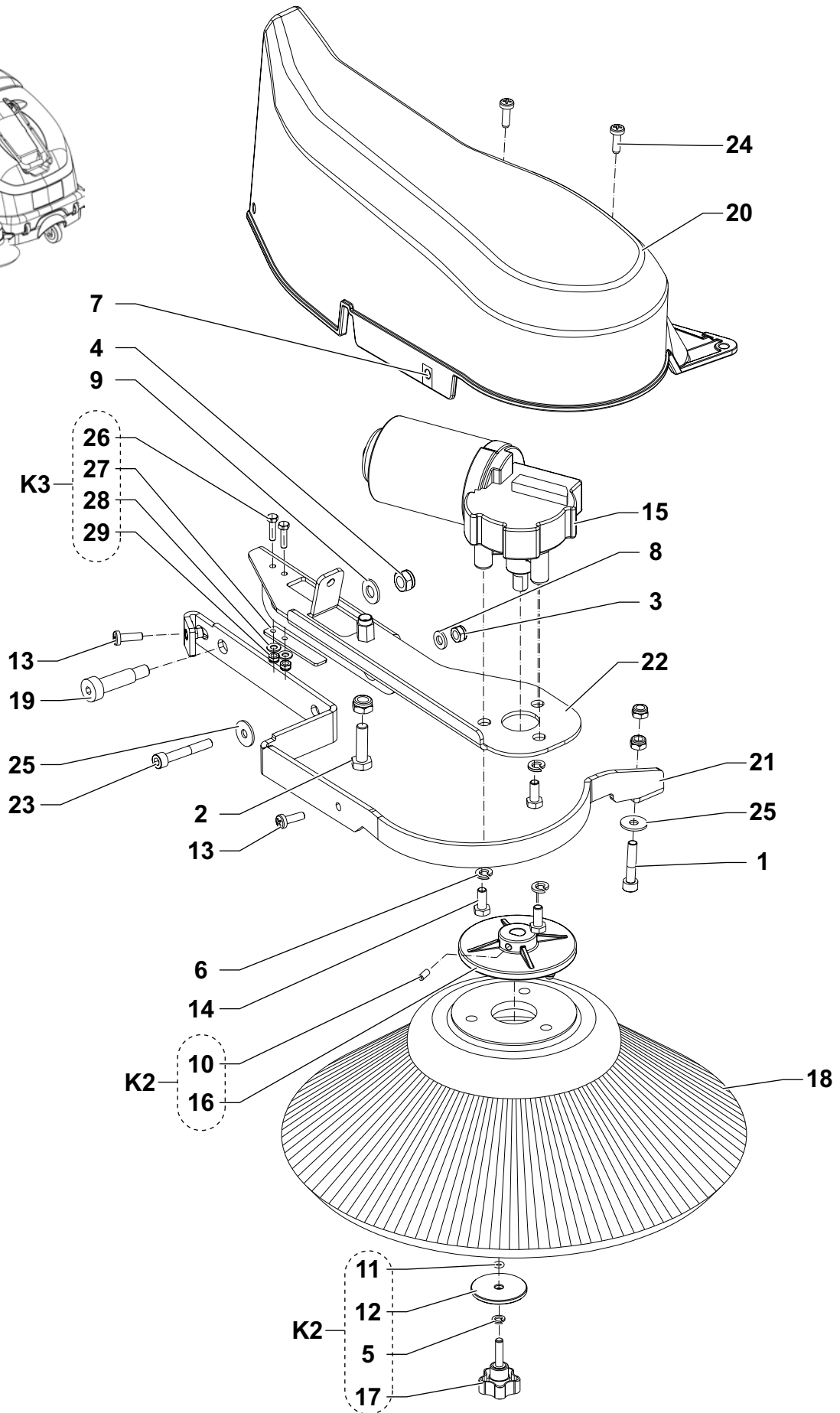
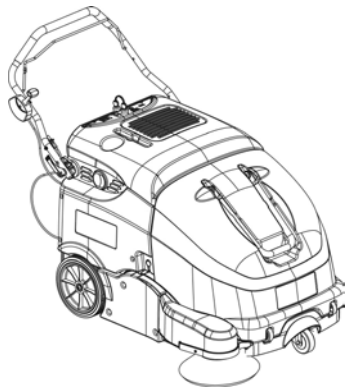
MAIN BROOM SYSTEM



MAIN BROOM SYSTEM

KIT	ITEM	REF. NO.	QTY	DESCRIPTION	NOTE
K1	1		3	SCREW M6X16 UNI5739	
K1	2		4	SCREW M6X50 UNI5931	
K1	3		5	NUT SELF L. M6 UNI7474	
K1	4		3	WASHER M6 UNI1751B	
K1	5		2	RING D 12 UNI7435	
	6#	1467023000	1	HUB LEFT MAIN BROOM SIP	
	7#	44905699	3	BEARING BALL 6001 2RS SIP	
K1	8		1	SPRING	
K1	9		2	COLLAR PIPE FIXING D.18	
K1	10		1	SPACER 12X17X22.5	
K1	11		2	COLLAR.PIPE FIXING D.12	
	12	1464476000	1	KNOB BLACK/YELLOW	
	13	1465487000	1	SUPPORT MAIN BROOM	
	14#	1467589000	1	SUPPORT BROOM PULLEY SIP	
	15	1464689000	1	SCREW BROOM ADJUSTMENT	
	16#	1467590000	1	SUPPORT IDLE HUB SIP	
K1	17		1	PIN 15X50	
	18	1464746000	1	PULLEY MAIN BROOM	
	19	1464885000	2	KNOB M6 D.20 PLASTIC	
K1	20		2	CAP YELLOW	
	21	1465215000	1	BROOM MAIN 265X600 CHEVR. 6R PPL 0.5-0.	
	21#	1466493000		BROOM MAIN 265X620 10R PPL 0.3-0.5	STARTING FROM S/N 3810152500016 - SEE TSB-FC-2015-014
	21*	1465216000	1	BROOM MAIN D.265X600 MIX 5	
	21*	146 0750 000	1	BROOM MAIN D.265X600 STEEL MIX	
K1	22		4	SCREW CYL HD 6X30 SELF L.PLAST	
K1	23		1	WASHER M6 UNI6592	
	[K1]	1465470000	1	HARDWARE MAIN BROOM KIT	

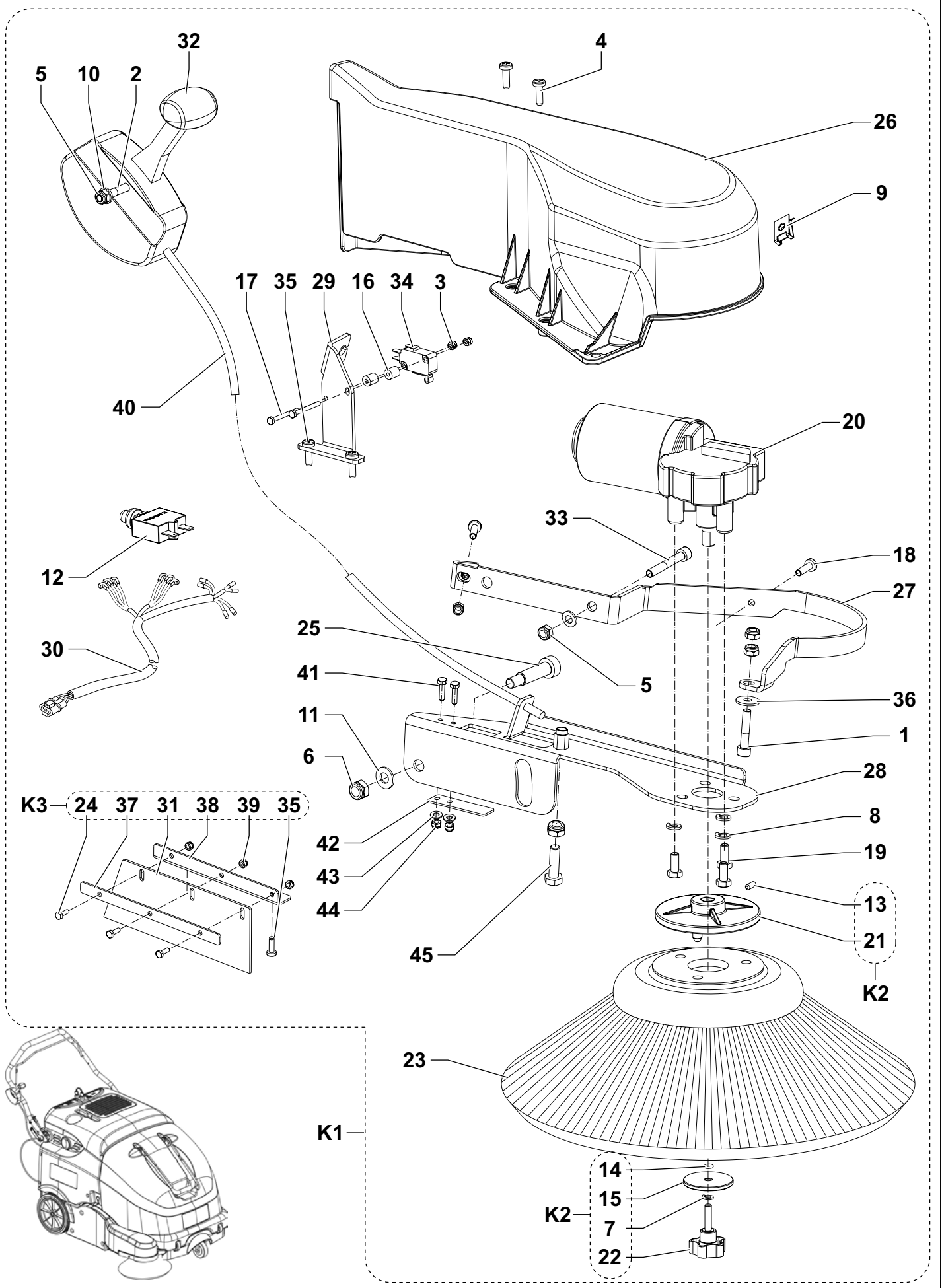
RIGHT BROOM



RIGHT BROOM

KIT	ITEM	REF. NO.	QTY	DESCRIPTION	NOTE
K1	1		1	SCREW M6X30 UNI5931	
K1	2		1	SCREW M8X25 UNI5739 SS	
K1	3		3	NUT SELF L. M6 UNI7474	
K1	4		2	NUT SELF L. M8 UNI7474	
K2	5		1	WASHER M5 UNI1751B	
K2	6		3	WASHER M6 UNI1751B	
K1	7#	1467722000	1	CLIP GALV.FOR SCREW M5 2 PCS SET	
K1	8		1	WASHER M6 UNI6592	
K1	9		1	WASHER M8 UNI6592	
K2	10		1	SCREW GRUB M5X10 UNI5929	
K2	11		1	SEAL O-RING	
K2	12		1	SPACER 5.5X38X3	
K1	13		2	SCREW M5X16 UNI7687	
K2	14		3	SCREW M6X16 UNI5739	
	15#	1465999000	1	REDUCTION GEARMOTOR 40W 12V SIP	
K2	16		1	HUB SIDE BROOM	
K2	17		1	KNOB M5X20	
	18	146 3035 000	1	BROOM SIDE 109X315 PPL0.5	
	18*	146 3036 000	1	BROOM SIDE 109X315 NYLON CARPE	
K1	19		1	SCREW SHOULDER 10X30 M8 ISO7939	
	20	1464675000	1	COVER RIGHT SIDE BROOM	
	21	1465497000	1	BUMPER RIGHT BROOM	
	22	1465011000	1	SUPPORT RIGHT SIDE BROOM	
K1	23		1	SCREW M6X40 UNI5931	
K1	24		2	SCREW CYL HD 5X25 SELF L.	
K1	25		2	WASHER 6X18 UNI6592	
K3	26		2	SCREW M4X14 UNI5739	
K3	27		1	PADDLE FOR DRIVE MICROSWITCH	
K3	28		2	WASHER 4X12 UNI6593	
K3	29		2	NUT SELF L. M4 UNI7474	
	[K1]	1465471000	1	HARDWARE SIDE BROOM KIT	
	K2	1463865000	1	HUB SIDE BROOM FIXING KIT	
	K3#	1467691000	1	PADDLE FOR DRIVE MICROSWITCH KIT	

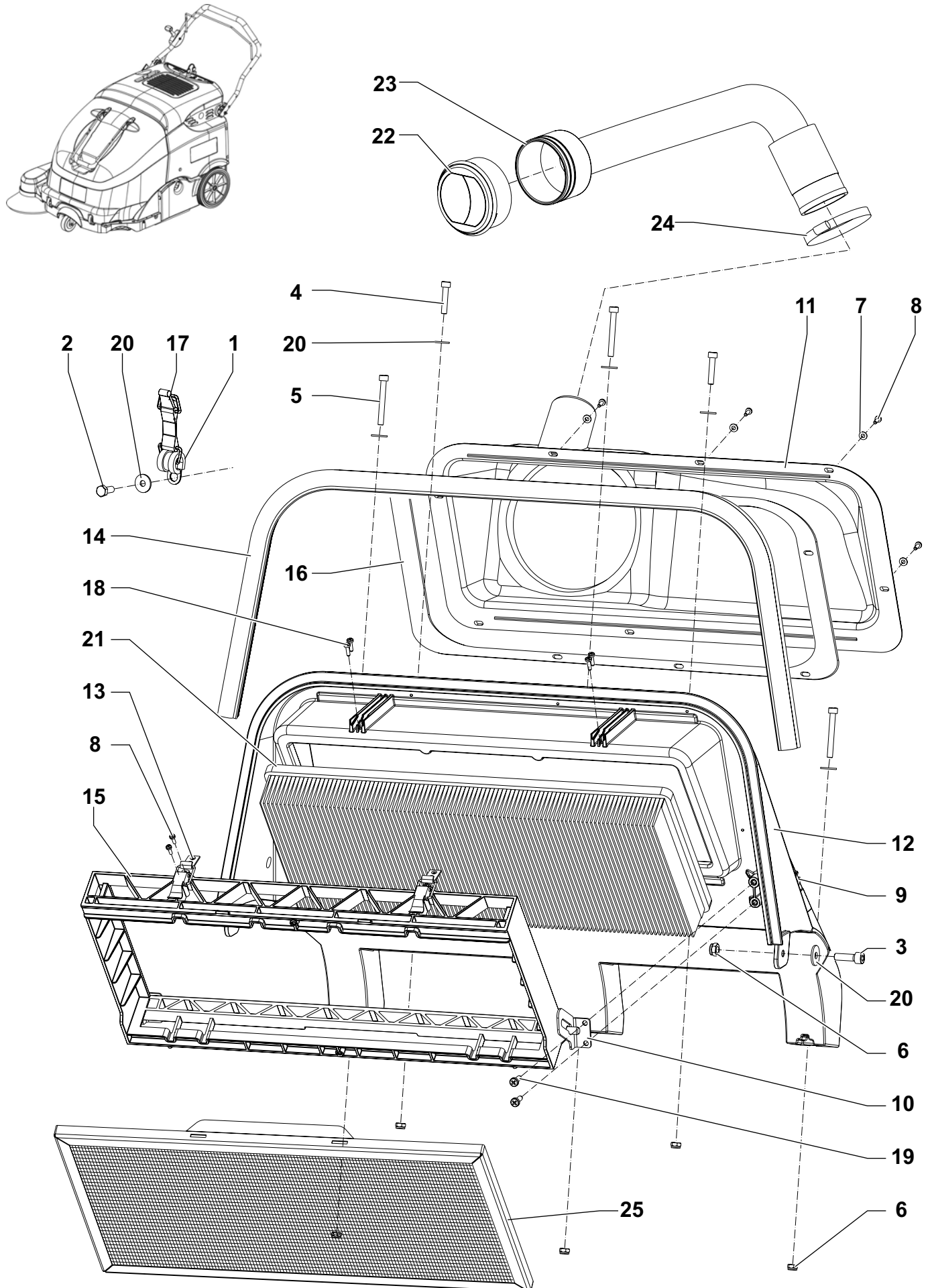
LEFT BROOM (OPTIONAL)



LEFT BROOM (OPTIONAL)

KIT	ITEM	REF. NO.	QTY	DESCRIPTION	NOTE
K4	1		1	SCREW M6X30 UNI5931	
K4	2		1	SCREW M6X55 UNI5931 D.6X55	
K4	3		2	NUT SELF L. M3 UNI7474	
K4	4		2	SCREW CYL HD 5X25 SELF L.	
K4	5		4	NUT SELF L. M6 UNI7474	
K4	6		2	NUT SELF L. M8 UNI7474	
K2	7		1	WASHER M5 UNI1751B	
K2	8		3	WASHER M6 UNI1751B	
K4	9#	1467722000	1	CLIP GALV.FOR SCREW M5 2 PCS SET	
K4	10		2	WASHER M6 UNI6592	
K4	11		1	WASHER M8 UNI6592	
K1	12	1465605000	1	CIRCUIT BREAKER 5A KIT	
K2	13		1	SCREW GRUB M5X10 UNI5929	
K2	14		1	SEAL O-RING	
K2	15		1	SPACER 5.5X38X3	
K4	16		2	SPACER 3X8X9	
K4	17		2	SCREW M3X30 UNI5737	
K4	18		2	SCREW M5X16 UNI7687	
K2	19		3	SCREW M6X14 UNI5739	
K1	20#	1465999000	1	REDUCTION GEARMOTOR 40W 12V SIP	
K2	21		1	HUB SIDE BROOM	
K2	22		1	KNOB M5X20	
K1	23	146 3035 000	1	BROOM SIDE 109X315 PPL0.5	
	23*	146 3036 000	1	BROOM SIDE 109X315 NYLON CARPE	
K4-3	24		3	SCREW M6X16 UNI5739	
K4	25		1	SCREW SHOULDER 10X30 M8 ISO7939	
K1	26	1464676000	1	COVER LEFT SIDE BROOM	
K1	27	1465498000	1	BUMPER LEFT BROOM	
K1	28	1465012000	1	SUPPORT LEFT SIDE BROOM	
K1	29	1465014000	1	SUPPORT LEFT SIDE BROOM SWITCH	
K1	30	1465142000	1	HARNESS LEFT BROOM	
K3	31		1	SKIRT RECYCLING	
K1	32	1465183000	1	LEVER LEFT SIDE BROOM CONTROL	
K4	33		1	SCREW M6X40 UNI5931	
K1	34#	9100000792	1	MICROSWITCH 16A 250V SIP	
K4-3	35		2	SCREW CYL HD 5X16 SELF L.	
K4	36		2	WASHER 6X18 UNI6592	
K4-3	37		1	SUPPORT FOR RECYCLING SKIRT	
K4-3	38		1	PLATE FOR RECYCLING SKIRT	
K4-3	39		3	NUT SELF L. M4 UNI7474	
K1	40	1465532000	1	CABLE FOR SIDE BROOM LEVER	
K4	41		2	SCREW M4X14 UNI5739	
K4	42		1	PADDLE FOR DRIVE MICROSWITCH	
K4	43		2	WASHER 4X12 UNI6593	
K4	44		2	NUT SELF L. M4 UNI7474	
K4	45		1	SCREW M8X25 UNI5739 SS	
	K1*	1465408000	1	BROOM LEFT SIDE KIT	(1465407000) INSTALLATION INSTRUCTIONS UNTIL S/N 3810152500015
	K1*#	1466497000	1	BROOM LEFT SIDE PPL W/RECYCLING KIT	(1466499000) INSTALLATION INSTRUCTIONS STARTING FROM S/N 3810152500016 - SEE TSB-FC-2015-014
K1	K2	1463865000	1	HUB SIDE BROOM FIXING KIT	
K1	K3	1465595000	1	SKIRTS RECYCLING KIT	UNTIL S/N 3810152500015
	K3#	1466489000	1	SKIRT RECYCLING LT SIDE KIT	(1466485000) INSTALLATION INSTRUCTIONS STARTING FROM S/N 3810152500016 - SEE TSB-FC-2015-014
K1	[K4]	1465471000	1	HARDWARE SIDE BROOM KIT	

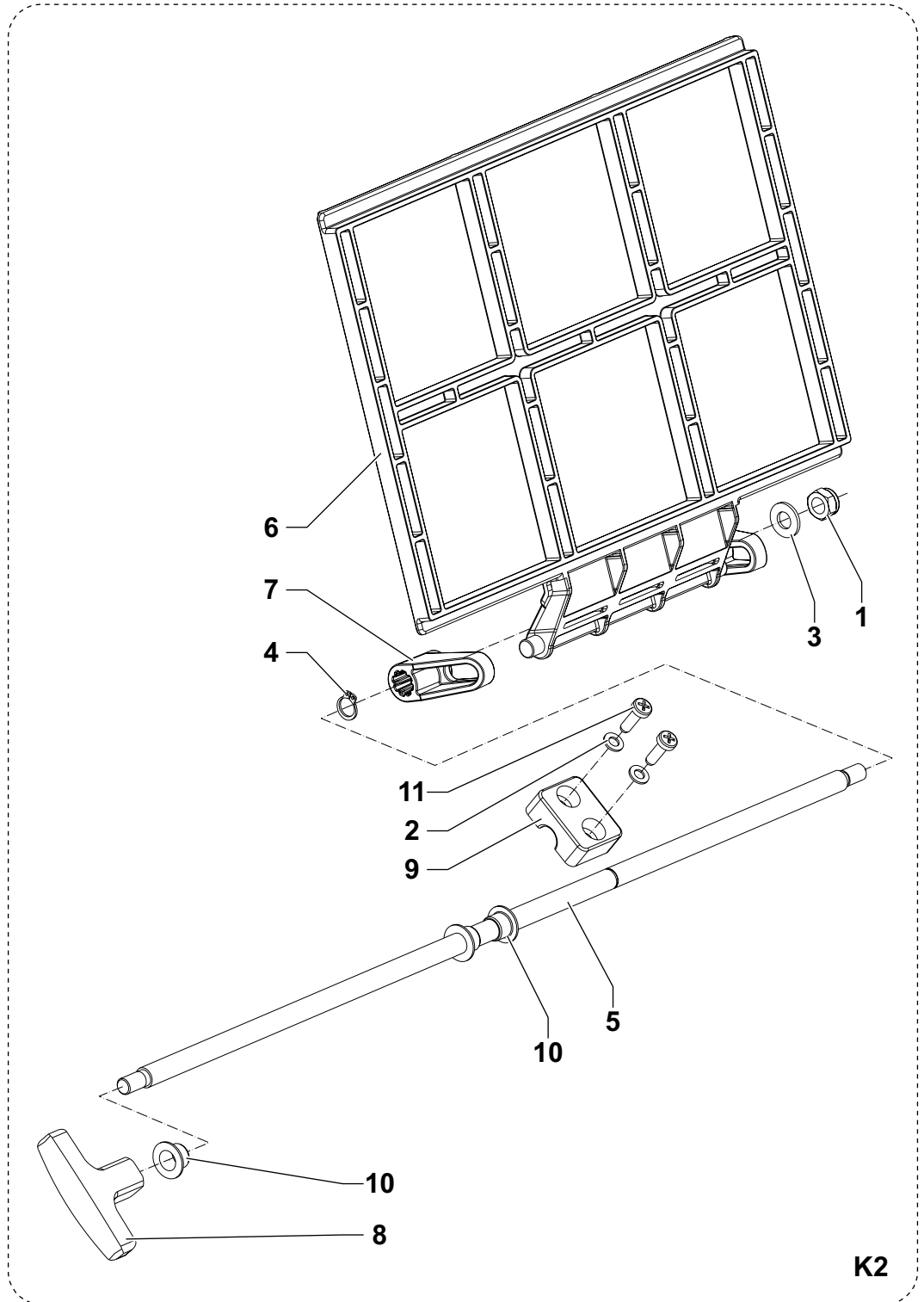
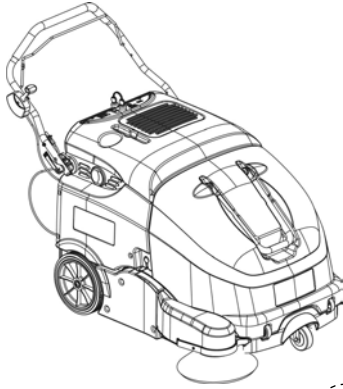
FILTER SYSTEM



FILTER SYSTEM

KIT	ITEM	REF. NO.	QTY	DESCRIPTION	NOTE
	1	33003435	1	DOUBLE COLLAR D5	
K1	2		1	SCREW M6X16 UNI5739	
K1	3		2	SCREW M6X20 UNI5931	
K1	4		2	SCREW M6X30 UNI5931	
K1	5		3	SCREW M6X50 UNI5931	
K1	6		8	NUT SELF L. M6 UNI7474	
K1	7		8	WASHER 4X12 UNI6593	
K1	8		12	SCREW 3.5X12	
K1	9#	1467722000	1	CLIP GALV.FOR SCREW M5 2 PCS SET	
K1	10		2	BRACKET FILTER SUPPORT	
	11#	1466080000	1	CONVEYOR AIR SIP	
K1	12		1	SUPPORT FOR FILTER	
	13	1464884000	2	LOCK LEVER	
	14	1465610000	1	GASKET BULB REINFORCED KIT	
	15	1465146000	1	FRAME FOR PANEL FILTER	
	16	1465517000	1	GASKET FOR CONVEYOR	
	17	1465525000	1	LATCH RUBBER	
K1	18		4	SCREW CYL HD 3.5X20 SELF L.	
K1	19		4	SCREW CYL HD 5X16 SELF L.	
K1	20		9	WASHER 6X18 UNI6592	
	21	1464902000	1	FILTER PAPER	
	21*	1464691000	1	FILTER POLYESTER	
	22	33010103	1	OPENING	
	23	1464887000	1	HOSE WET BY-PASS	
	24#	9100001348	1	CLAMP 14/32-52 10 PCS SET	
	25*	1465018000	1	PREFILTER	
[K1]		1465472000	1	SUPPORT FILTER KIT	

FILTER SHAKER MANUAL

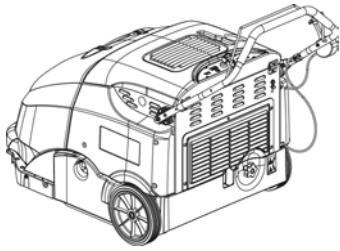


K2

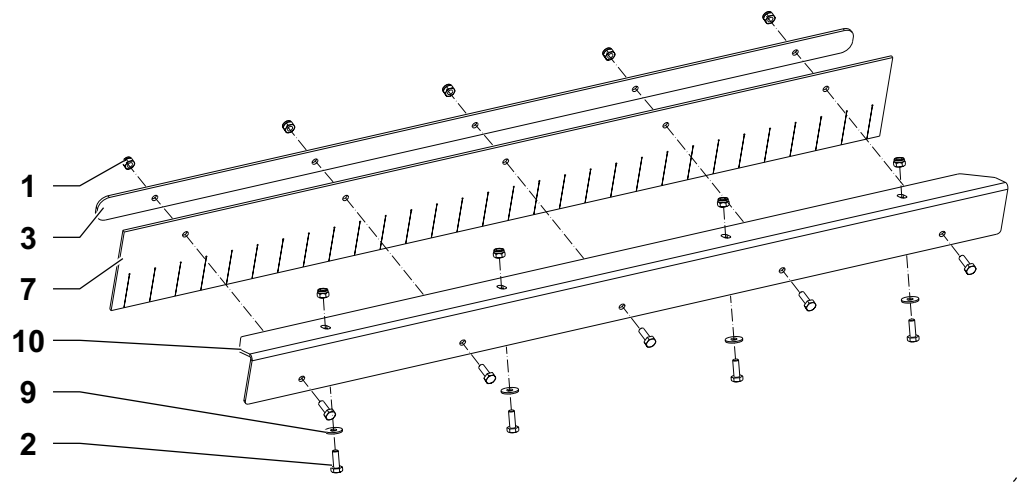
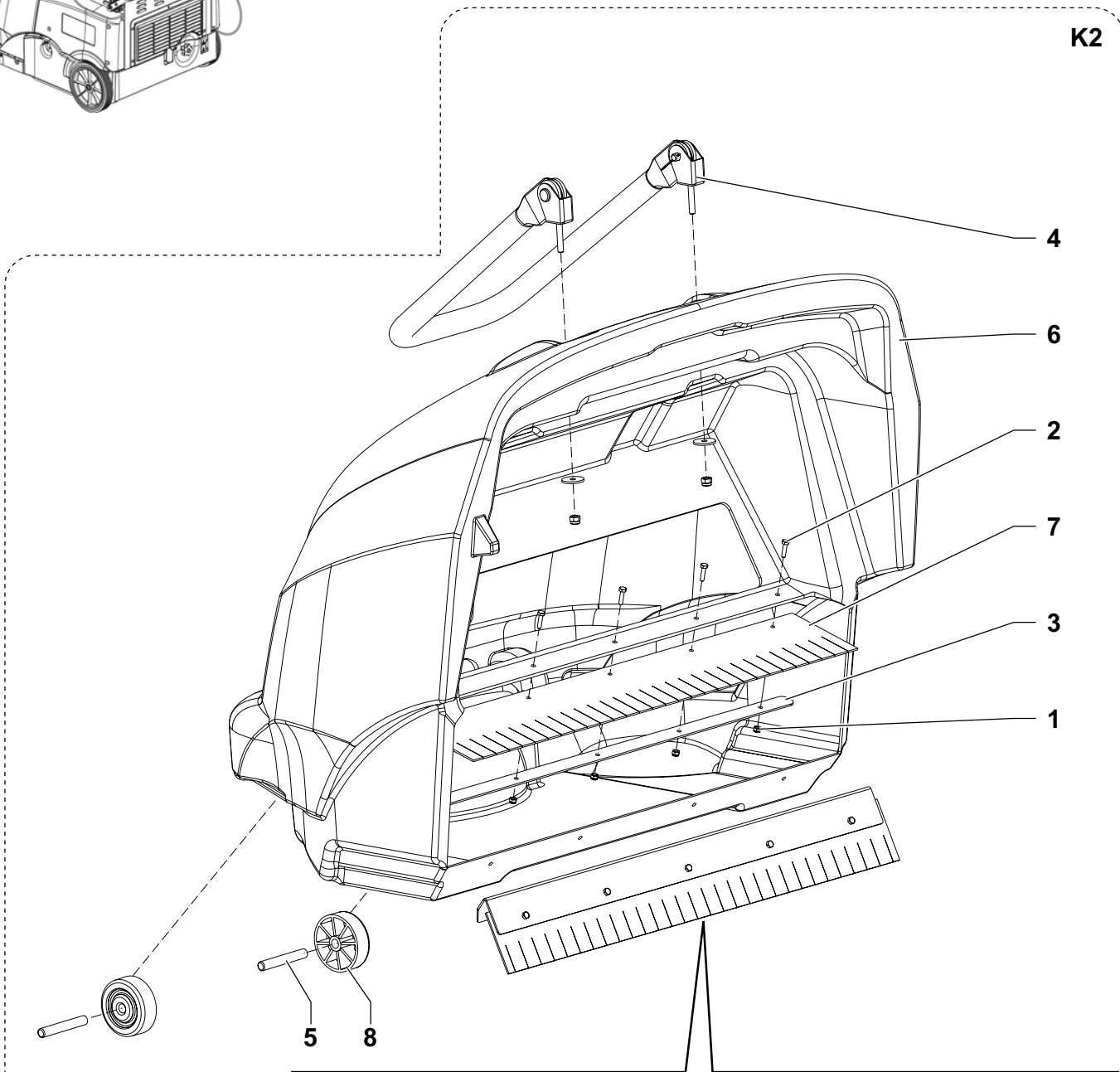
FILTER SHAKER MANUAL

KIT	ITEM	REF. NO.	QTY	DESCRIPTION	NOTE
K1	1		1	NUT SELF L. M8 UNI7474	
K1	2		2	WASHER M5 UNI6592	
K1	3		1	WASHER M8 UNI6592	
K1	4		1	RING D 10 UNI7435	
K2	5	1465028000	1	ROD FILTER SHAKER	
K2	6	1465029000	1	RAKE FILTER SHAKER	
K2	7	1465030000	2	DRAGGER FILTER SHAKER	
K2	8	1465103000	1	HANDLE M8 PLASTIC	
K1	9		1	COLLAR PIPE FIXING D.12 SINGLE	
K1	10		3	BUSH FLANGED	
K1	11		2	SCREW CYL HD 5X16 SELF L.	
K2	[K1]	1465479000	1	HARDWARE MANUAL FILTER SHAKER KIT	
	K2	1465480000	1	FILTER SHAKER MANUAL KIT	

HOPPER SYSTEM



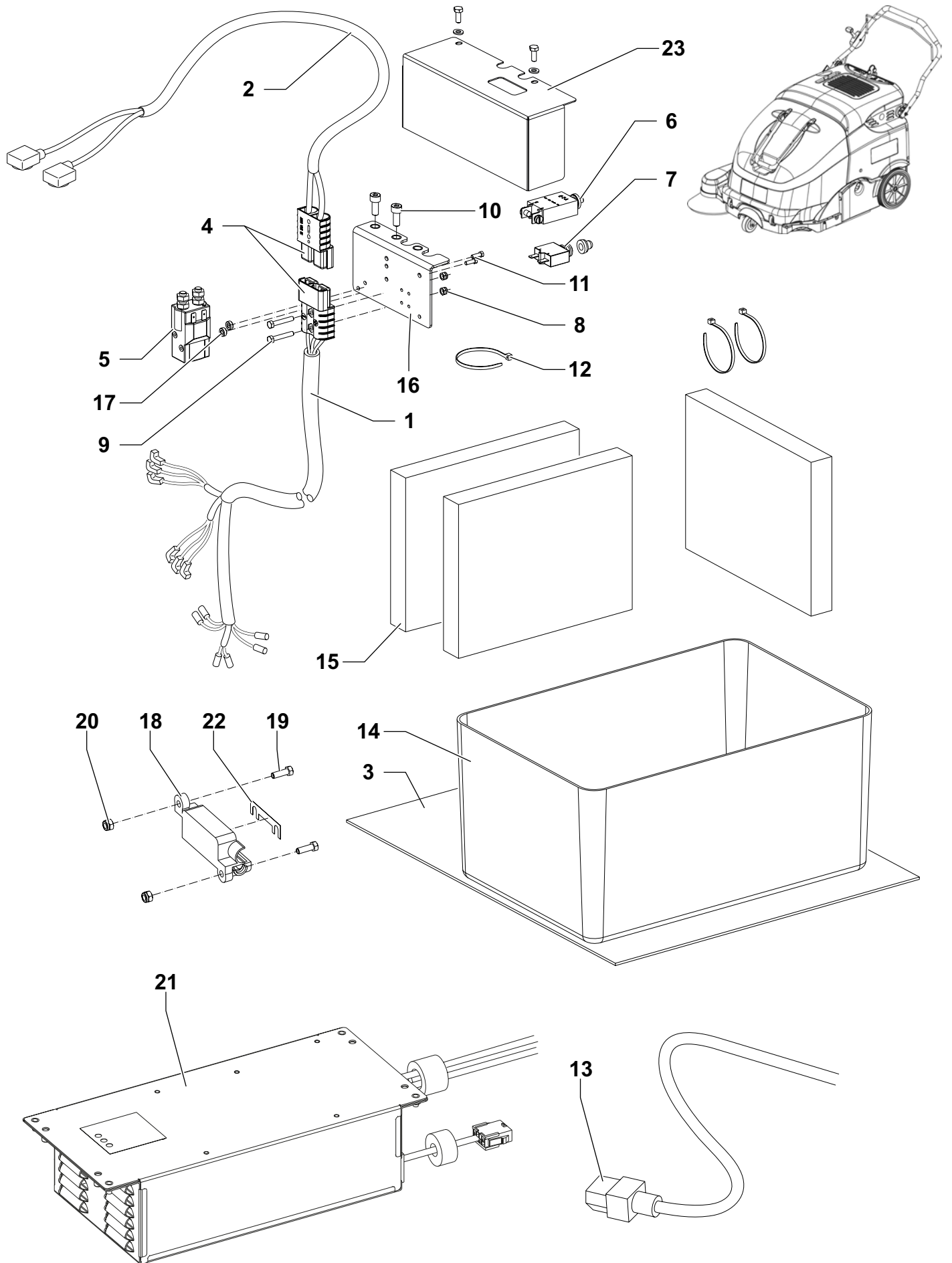
K2



HOPPER SYSTEM

KIT	ITEM	REF. NO.	QTY	DESCRIPTION	NOTE
K1	1		14	NUT SELF L. M4 UNI7473	
K1	2		14	SCREW M4X14 UNI5739	
K1	3		2	PLATE CONTAINER SKIRT	
	4	1465477000	1	HANDLE WASTE CONTAINER KIT	
	5	1464997000	2	PIN D.9.5X70	
	6	1465016000	1	CONTAINER WASTE	
	7	1465476000	1	SKIRTS WASTE CONTAINER KIT	
	8	L08602460	2	ROLLER BUMPER	
K1	9		9	WASHER 4X12 UNI6593	
K1	10		1	PLATE CONTAINER SKIRT	
	[K1]	1465475000	1	HARDWARE WASTE CONTAINER KIT	
	K2#	1465548000	1	CONTAINER WASTE PLAST. GREY KIT	

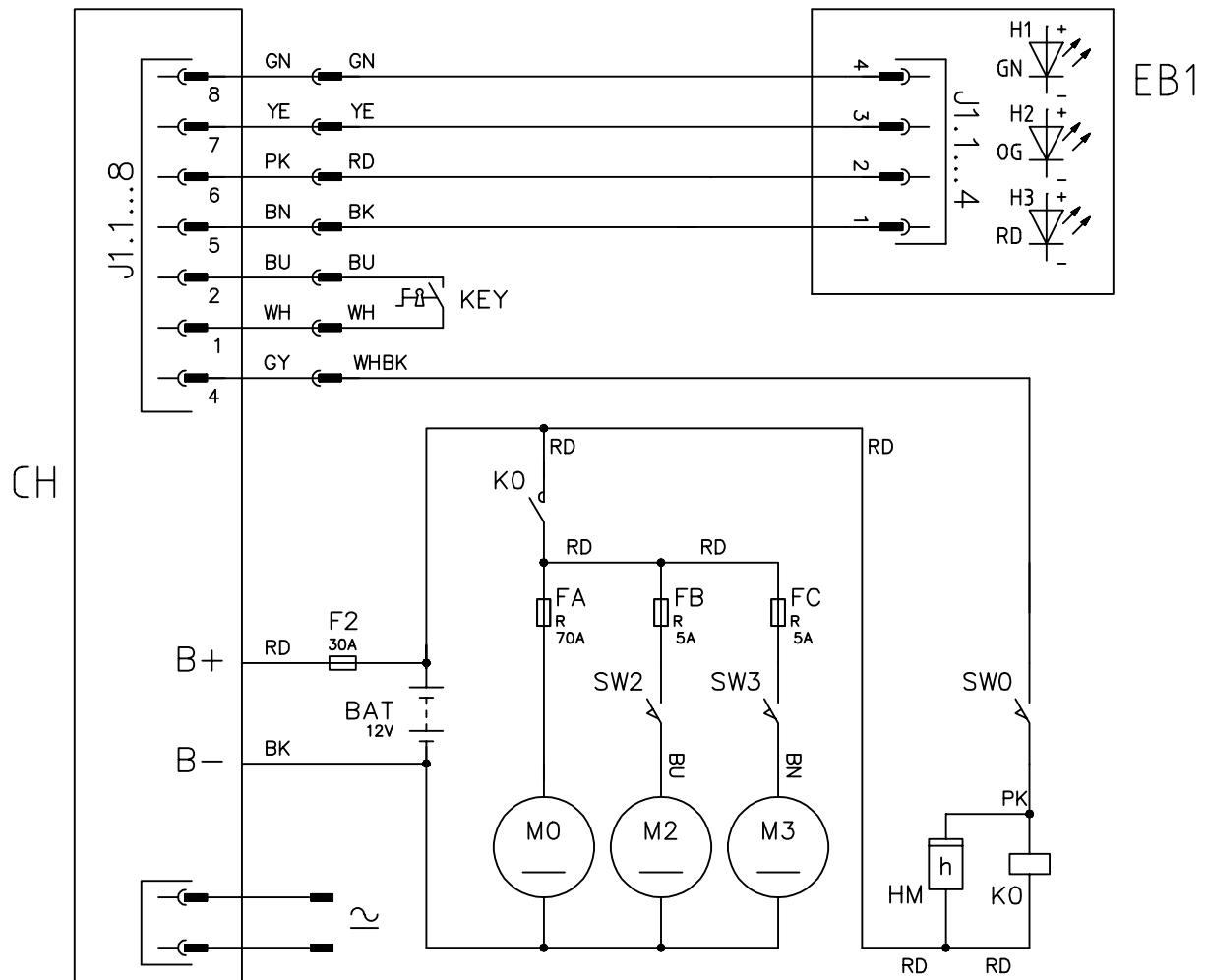
ELECTRICAL SYSTEM



ELECTRICAL SYSTEM

KIT	ITEM	REF. NO.	QTY	DESCRIPTION	NOTE
	1	1465495000	1	HARNESS MACHINE B	UNTIL S/N SEE WEB PARTS
	1#	1467623000	1	HARNESS MACHINE B SIP	STARTING FROM S/N SEE WEB PARTS
	2#	1467652000	1	HARNESS BATTERY UL SIP	
	3	1465500000	1	RUBBER PROTECTION CHARGER	
	4	146 0747 000	2	CONNECTOR 120A GREY	
	5	1464904000	1	SWITCH ELECTROMAGNETIC 12V 100A	
	6	1465606000	1	CIRCUIT BREAKER 70A KIT	
	7	1465605000	1	CIRCUIT BREAKER 5A KIT	
K1	8		2	NUT SELF L. M5 UNI7474	
K1	9		2	SCREW M5X30 UNI5739	
K1	10		2	SCREW M8X16 UNI5739	
K1	11		2	SCREW M4X12 UNI5739	
K1	12		3	CLAMP 3.6x140	
	13#	9100001757	1	CABLE EXTENSION US PLUG L.1500MM KIT	
	14	145 5252 000	1	CONTAINER BATTERY	
	15	146 0668 000	3	PANEL INSULATING	
	16	1464698000	1	SUPPORT RELAIS AND FUSES	UNTIL S/N SEE WEB PARTS
	16#	1467615000	1	BRACKET GALV. F SUPP RELAY/FUSES KIT	STARTING FROM S/N SEE WEB PARTS
K1	17		2	SPACER 4.3X10X4	
	18	145 8046 000	1	HOLDER FUSE	
K1	19		2	SCREW M4X12 UNI5739	
K1	20		2	NUT SELF L. M4 UNI7474	
	21#	1466519000	1	CHARGER BATT. ON BOARD 12V 25A SIP	
	22	1465102000	1	FUSE STRIP 30A	
	23#	1467616000	1	COVER MET BLACK BATTERY EL. SYSTEM KIT	STARTING FROM S/N SEE WEB PARTS
[K1]	1465478000		1	HARDWARE ELECTRICAL SYSTEM KIT	

WIRING DIAGRAM



WIRING DIAGRAM

KEY	REF. NO.	DESCRIPTION	NOTE
BAT	-	12 V BATTERY	
CH	1466519000	CHARGER BATT. ON BOARD 12V 25A SIP	
EB1	146 3073 000	BOARD LED	
F2	1465102000	FUSE STRIP 30A	
FA	1465606000	CIRCUIT BREAKER 70A KIT	
FB	1465605000	CIRCUIT BREAKER 5A KIT	
FC	1465605000	CIRCUIT BREAKER 5A KIT	
HM	9096951000	COUNTER HOUR 24V KIT	
K0	1464904000	SWITCH ELECTROMAGNETIC 12V 100A	
K1	9098441000	RELAY 12V	
KEY	9100001354	SWITCH IGNITION STARTER WITH CAP SIP	
M0	1464744000	MOTOR ELECTRIC 12V 680W	
M2	1465999000	REDUCTION GEARMOTOR 40W 12V SIP	
M3	1465999000	REDUCTION GEARMOTOR 40W 12V SIP	
SW0	1466506000	MICROSWITCH 10A 250V SIP	
SW1	1465465000	SWITCH KIT	
SW2	9100000792	MICROSWITCH 16A 250V SIP	
SW3	9100000792	MICROSWITCH 16A 250V SIP	

KEY	COLOUR
BK	BLACK
BU	LIGHT BLUE
BN	BROWN
GN	GREEN
GY	GREY
OG	ORANGE

KEY	COLOUR
PK	PINK
RD	RED
VT	VIOLET
WH	WHITE
YE	YELLOW

RECOMMENDED PARTS

REF. NO.	QTY	DESCRIPTION	NOTE
NORMAL WEAR			
1465215000	1	BROOM MAIN D.265X600 PPL 0.8-0.5	
# 1466493000		BROOM MAIN 265X620 10R PPL 0.3-0.5	STARTING FROM S/N 3810152500016 - SEE TSB-FC-2015-014
1465463000	1	SKIRTS KIT	UNTIL S/N 3810152500015
# 1466491000	1	SKIRT CENTRAL REAR KIT	STARTING FROM S/N 3810152500016 - SEE TSB-FC-2015-014
# 1466488000	1	SKIRT RECYCLING RT SIDE KIT	(1466484000) INSTALLATION INSTRUCTIONS STARTING FROM S/N 3810152500016 - SEE TSB-FC-2015-014
# 1466490000	1	SKIRT LT SIDE KIT	FOR ONE SIDE BROOM ONLY STARTING FROM S/N 3810152500016 - SEE TSB-FC-2015-014
146 3035 000	1	BROOM SIDE 109X315 PPL0.5	
ORDINARY MAINTENANCE			
1465610000	1	GASKET BULB REINFORCED	
1464902000	1	FILTER PAPER	
1464744000	1	MOTOR ELECTRIC 12V 680W	
1464433000	1	BRUSH CARBON KIT 4PCS	
# 1467644000	1	BELT V COGGED XPZ 912 SIP	
# 1467726000	1	BELT V COGGED XPZ 1162 SIP	
# 44905699	3	BEARING BALL 6001 2RS SIP	
909 6602 000	1	WHEEL CASTOR	
# 1465999000	1	REDUCTION GEARMOTOR 40W 12V SIP	
1464908000	1	CABLE TRACTION	
EXTRAORDINARY MAINTENANCE			
1465146000	1	FRAME FOR PANEL FILTER	
1464884000	2	LOCK LEVER	
1464725000	1	REDUCTION GEAR COMPLETE	
# 1466521000	1	GEAR SPUR PLASTIC 150P 50T SIP	
# 1466522000	1	GEAR SPUR PLASTIC 42P 14T SIP	
145 1123 000	3	BALL BEARING YAT204	
1464719000	2	SPRING TORSION 2.8X24	
1464476000	1	KNOB BLACK/YELLOW	
# 9100000792	1	MICROSWITCH 16A 250V SIP	
# 1466506000	1	MICROSWITCH 10A 250V SIP	
1465017000	1	LEVER RIGHT SIDE BROOM CONTROL	
1465532000	1	CABLE FOR SIDE BROOM LEVER	

ACCESSORIES/OPTIONALS

REF. NO.	QTY	DESCRIPTION	NOTE
80564400	1	BATT. 12V-105AH GEL MONOBLOC	
80564600	1	BATT. 6V-110AH WET TUBULAR MONOBLOC	
80564000	2	BATT. 6V-180AH GEL MONOBLOC	
# 80563211	2	BATT. 6V-175Ah WET Tubular Monobloc	
# 9096951000	1	COUNTER HOUR 24V KIT	
1465541000	1	SKIRTS NON MARKING KIT	
1465216000	1	BROOM MAIN D.265X600 MIX 5	
146 0750 000	1	BROOM MAIN D.265X600 STEEL MIX	
146 3036 000	1	BROOM SIDE 109X315 NYLON CARPE	
1465408000	1	BROOM LEFT SIDE KIT	(1465407000) INSTALLATION INSTRUCTIONS UNTIL S/N 3810152500015
# 1466497000	1	BROOM LEFT SIDE PPL W/RECYCLING KIT	(1466499000) INSTALLATION INSTRUCTIONS STARTING FROM S/N 3810152500016 - SEE TSB- FC-2015-014
1464691000	1	FILTER POLYESTER	
1465018000	1	PRE-FILTER	

9435 Winnetka Avenue North
Brooklyn Park, MN 55445
www.advance-us.com
Phone: 800-989-2235
Fax: 800-989-6566
©2018 Nilfisk, Inc.

