

SKU # 56743,56744,56746

Loading Instructions

- ①

mandrels

1. Open dispenser and remove mandrels
- ②

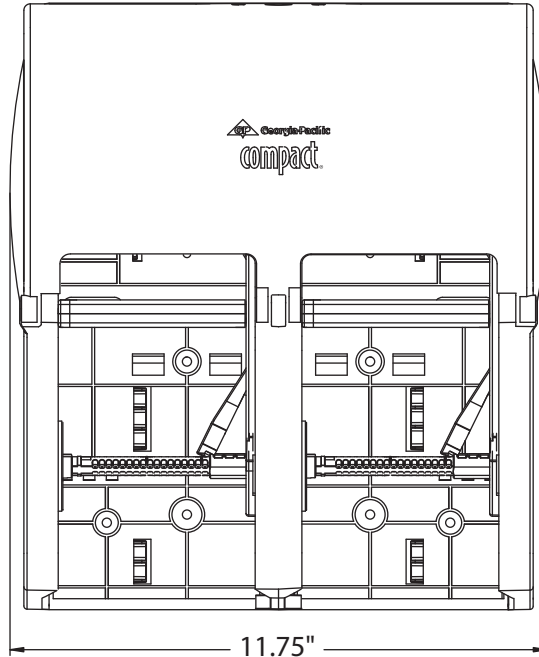
arm

2. Rotate arm
- ③

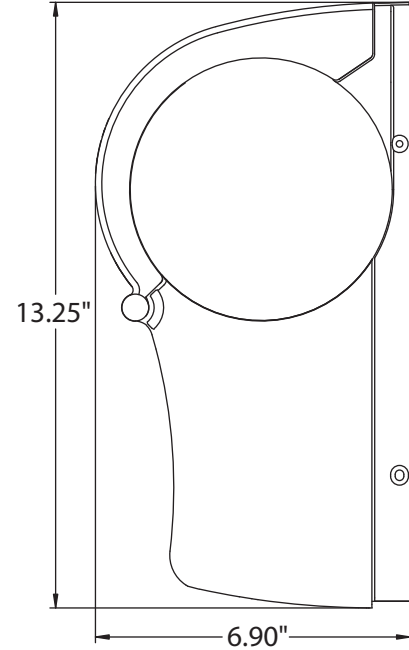
3. Replace rolls and rotate arm to original position
- ④

4. Return mandrel to dispenser, align mandrel with side rails

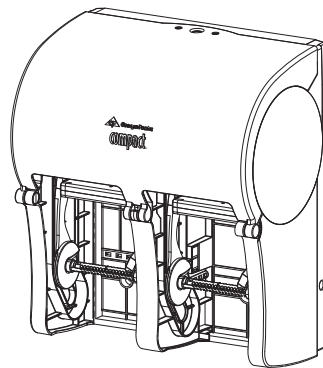
front



side



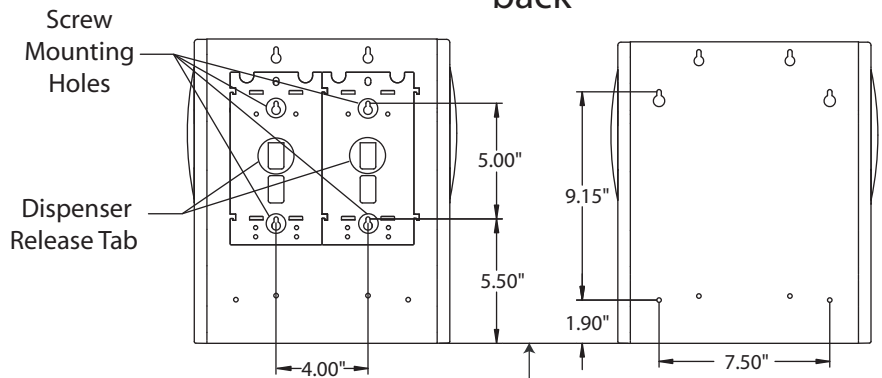
Dispenser Mounting



Using 54019 Mounting Bracket
(sold separately)

Wall Mounting without Bracket

back



17.50" Minimum Distance to the floor

Overall Dimensions:

Dispenser: 11.75" W x 13.25" H x 6.9" D

Overall Weight:

Dispenser: 4.1 lbs (1.9kg)

Specifications:

The cover is constructed of Acrylic plastic, the housing is constructed of ABS plastic. The interior components are constructed of Acetal plastic.

Capacity: 4 rolls of Compact® coreless bath tissue.

For questions or comments, please call
1-866-HELLO GP (435-5647)