

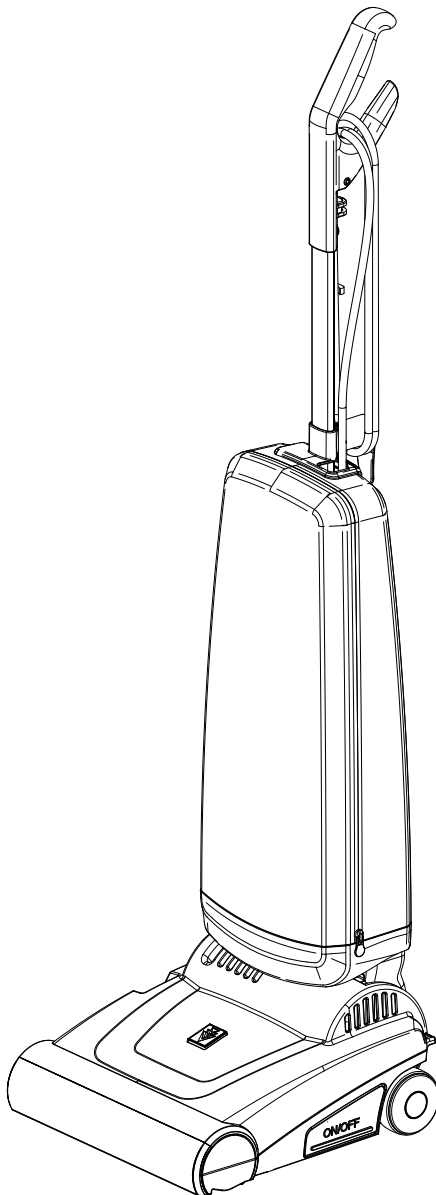
Ranger

KÄRCHER

makes a difference

Vacuum Operating Instructions

MODEL: 1.012-900.0
Ranger 12 120V/60Hz



English	1
Español	15
Français	29

From Serial No. #CC0507279
If Serial Number not listed,
Contact Manufacturer

Intended for Commercial use



8.645-244.0-B 11/10/22

Machine Data Information

Model: _____

Date of Purchase: _____

Serial Number: _____

Dealer: _____

Address: _____

Phone Number: _____

Sales Representative: _____

Warranty Registration

Thank you for purchasing a Kärcher North America product. Warranty registration is quick and easy. Your registration will allow us to serve you better over the lifetime of the product.

To register your product go to :

<http://warranty.karcherna.com/>

For customer assistance:

1-800-444-7654

KÄRCHER


Machine Data Information 2
Table of Contents 3
How to Use this Manual 4

Safety

IMPORTANT SAFETY INSTRUCTIONS 5
Grounding Instructions 6

Operation

Scope of Delivery 7
Service Parts 7
Connecting and Operating Elements 8
Assembly 8
Cable Installation and Routing and Final Handle
Installation 9
Filter bag Installation 10
Removing / Changing filter bag 10
Working with RANGER 11
Height Adjustment of Brush 11

Maintenance

Maintenance and Care 12
Removal of brush roller 12
Removing blockages 12
Troubleshooting and Support 13
Technical Details 13

Wiring Diagram 15

How to Use this Manual

This manual contains the following sections:

- How to Use This Manual
- Safety
- Operation
- Maintenance
- Parts List

The HOW TO USE THIS MANUAL section will tell you how to find important information for ordering correct repair parts.

Parts may be ordered from authorized dealers. When placing an order for parts, the machine model and machine serial number are important. Refer to the MACHINE DATA Information which is filled out during the installation of your machine. The MACHINE DATA box is located on the inside of the front cover of this manual.

Model: _____
Date of Purchase: _____
Serial Number: _____
Dealer: _____
Address: _____
Phone Number: _____
Sales Representative: _____

The model and serial number of your machine are located on the bottom-back of the machine.

Symbols used in this manual:

1,2,3,...Item numbers with reference in text and listings

A , B ,...Order of operating steps

The SAFETY section contains important information regarding hazardous or unsafe practices of the machine. Levels of hazards are identified that could result in product damage, personal injury, or severe injury resulting in death.

The OPERATIONS section is to familiarize the operator with the operation and function of the machine.

The MAINTENANCE section contains preventive maintenance to keep the machine and its components in good working condition. They are listed in this general order:

- Maintenance and Care
- Brush roller
- Blockage
- Troubleshooting

The PARTS LIST section contains assembled parts illustrations and corresponding parts list. The parts lists include a number of columns of information:

- **ITEM** – column refers to the reference number on the parts illustration.
- **PART NO.** – column lists the part number for the part.
- **REF NO.** – reference number.
- **DESCRIPTION** – column is a brief description of the part.
- **NOTES** – column for information not noted by the other columns.

NOTE: If a service or option kit is installed on your machine, be sure to keep the KIT INSTRUCTIONS which came with the kit. It contains replacement parts numbers needed for ordering future parts.

The manual part number is located on the lower right corner of the front cover.

IMPORTANT SAFETY INSTRUCTIONS

**When using this machine, basic precaution must always be followed, including the following:
READ ALL INSTRUCTIONS BEFORE USING THIS MACHINE.**

⚠ WARNING: To reduce the risk of fire, electric shock, or injury:

1. Do not leave appliance when plugged in. Unplug from outlet when not in use and before servicing.
2. Connect to a properly grounded outlet only. See Grounding Instructions.
3. Do not use outdoors or on wet surfaces.
4. Do not use near small children. Do not allow to be used as a toy. Close attention is necessary when used by or near children.
5. Use only as described in this manual. Use only manufacturer's recommended attachments.
6. Do not use with damaged cord or plug. If appliance is not working as it should, has been dropped, damaged, left outdoors, or dropped into water, return it to a service center.
7. Do not pull or carry by the cord, use cord as a handle, close a door on cord, or pull cord around sharp edges or corners. Do not run appliance over cord. Keep cord away from heated surfaces.
8. Do not unplug by pulling on cord. To unplug, grasp the plug, not the cord.
9. Do not handle plug or appliance with wet hands.
10. Do not put any object into openings. Do not use with any opening blocked; keep free of dust, lint, hair, and anything that may reduce air flow.
11. Keep hair, loose clothing, fingers and all parts of body away from openings and moving parts. Do not place fingers or other body parts under vacuum unless unplugged.
12. Do not pick up anything that is burning or smoking, such as cigarettes, matches, or hot ashes.
13. Do not use without dust bag and/or filters in place. Do not wash filters.
14. Turn off all controls before unplugging.
15. Use extra care when cleaning on stairs.
16. Do not use to pick up flammable or combustible liquids such as gasoline or use in areas where they may have been present.
17. Do not operate this machine near flammable fluids, dust or vapors.
18. Maintenance and repairs must be done by qualified personnel.
19. Use only identical replacement parts. See instructions for Servicing of Appliances.
20. Do not use machine as a step.
21. If used on plush carpet or carpet with thick padding, do not leave machine in one place with machine turned on.
22. Always turn off this appliance before connecting or disconnecting motorized nozzle.
23. Brush may unexpectedly restart. To reduce the risk of injury from moving parts. – Unplug before servicing.
24. Store the vacuum in a dry place at room temperature. When the vacuum is not in use, you should wrap the cord on the cable hooks.
25. Any other servicing should be performed by an authorized service representative.
26. Make sure your extension cord is in good condition and is the correct size for your appliance. The table on the Grounding Instructions page shows the correct size to use depending on cord length and nameplate ampere rating. If in doubt, use the next heavier gauge. The smaller the gauge number, the heavier the cord. An undersized extension cord will cause a drop in line voltage resulting in loss of power and overheating.
27. Use only three-wire outdoor extension cords that have three-prong grounding plugs and grounding receptacles that accept the appliance's plug.
28. To reduce the risk of personal injury due to a loose electrical connection between the appliance's plug and extension cord, firmly and fully attach the appliance plug to the extension cord. Periodically check the connection while operating to ensure it is fully attached. Do not use an extension cord that provides a loose connection. A loose connection may result in overheating, fire, and increases the risk of a burning.
29. To reduce the risk of disconnection of the appliance cord from the extension cord during operating, make a knot as shown under Grounding Instructions.
30. Maintain Appliance With Care - Inspect extension cords periodically and replace if damaged.

READ AND SAVE THESE INSTRUCTIONS

Safety

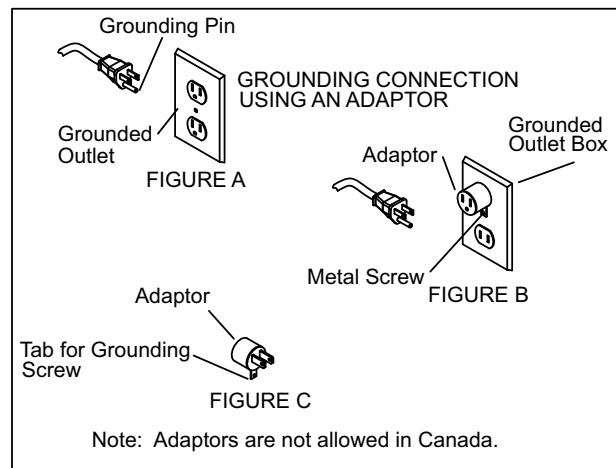
Grounding Instructions

This appliance must be grounded. If it should malfunction or breakdown, grounding provides a path of least resistance for electric current to reduce the risk of electric shock. This appliance is equipped with a cord having an equipment-grounding conductor and grounding plug. The plug must be inserted into an appropriate outlet that is properly installed and grounded in accordance with all local codes and ordinances.

⚠️ WARNING:

Improper connection of the equipment-grounding conductor can result in a risk of electric shock. Check with a qualified electrician or service person if you are in doubt as to whether the outlet is properly grounded. Do not modify the plug provided with the appliance - if it will not fit the outlet, have a proper outlet installed by a qualified electrician.

This appliance is for use on a nominal 120-volt circuit, and has a grounded plug that looks like the plug illustrated in sketch A. A temporary adapter looks like adapter illustrated in sketches B and C, may be used it connect this plug to a 2-pole receptacle as shown in sketch B if a properly grounded outlet is not available. The temporary adapter should be used only until a properly grounded outlet (sketch A) can be installed by a qualified electrician. The green colored rigid ear, lug or the like extending from the adapter must be connected to a permanent ground such as a properly grounded outlet box cover. Whenever the adapter is used, it must be held in place by a metal screw.



NOTE: In Canada, the use of a temporary adapter is not permitted by the Canadian Electrical Code.

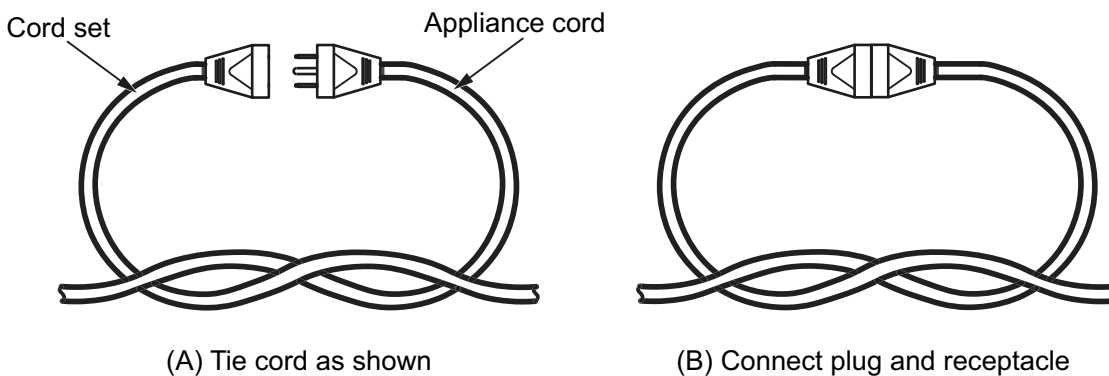
Electrical

In the USA this machine operates on a standard 15 amp 115 volt A.C. power circuit. The amp, hertz, and voltage are listed on the data label found on each machine. Using voltages above or below those indicated on the data label will cause serious damage to the motors

Extension Cords

If an extension cord is used, the wire size must be according to the table, and must be limited to 50 feet (15.5m) in length.

Figure 1: Method of securing the appliance cord to the extension cord set



Extension cords ratings and measures					
Ampere rating		Volts	Total length of cord		
More than A	Not More than A	120 V	7.62m (25ft)	15,24m (60ft)	30,48m (100ft)
			mm ² (AWG)		
			0.83 (18)	1.3 (16)	2.1 (14)

Scope of Delivery

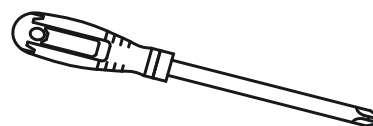
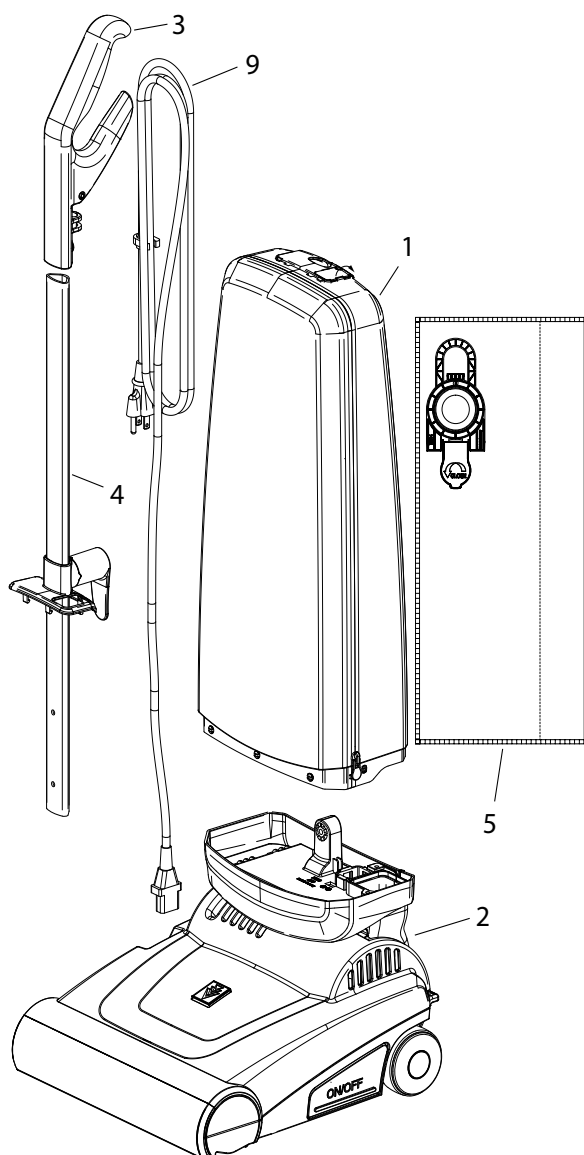
Box Contents

1. Filter compartment
2. Power Head
3. Grip
4. Handle with guide and cable hook
5. Filter bag 1x
6. Screw kit with:
 7. Panhead screw 3x M5x30, Phillips drive
 8. Panhead screw 1x M4x10, Phillips drive
9. Power Cord, 3-wire, US plug, 8.2m, (length includes the portion that is routed inside the filter bag housing)

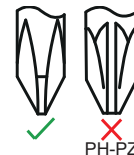
Please check if all listed parts are present. If something is missing, please check the packing material and the poly bag with the documents.

For assembly and some maintenance tasks, you will need a Phillips drive screw driver size PH2.

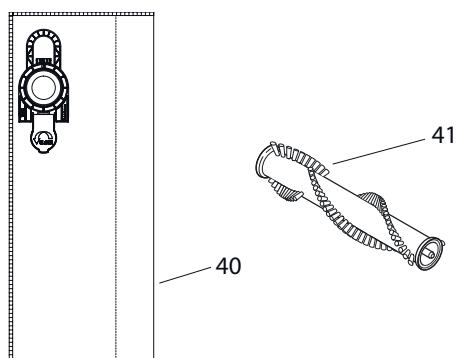
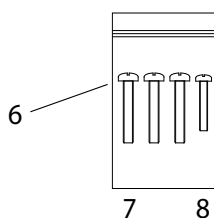
This tool is not contained in the set delivered!



Screw driver Phillips drive #2

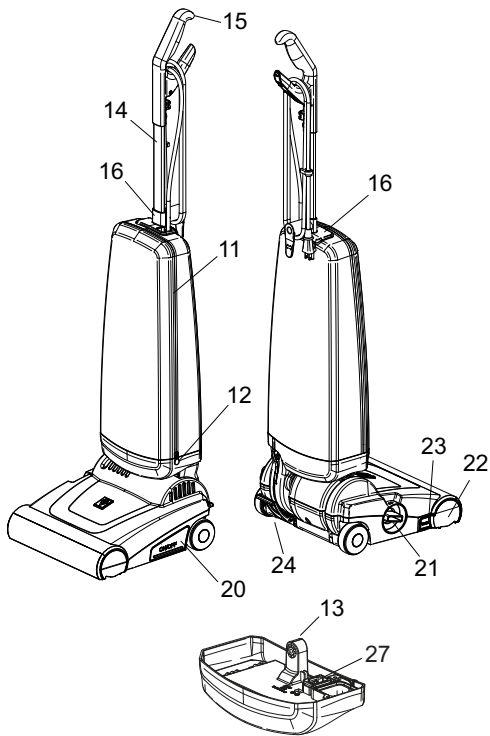


PH-PZ



Service Parts

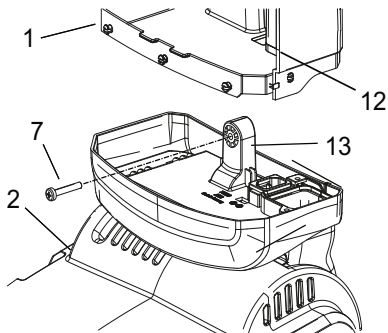
40. 8.645-209.0 Filter pack 10 bags
41. 8.600-495.0 Brush Roller 31 cm (12")



Connecting and Operating Elements

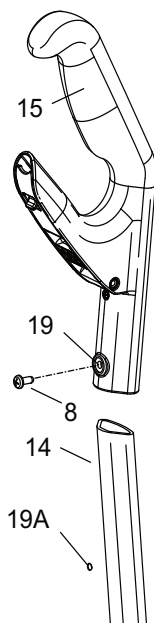
- 11. Zipper
- 12. Sliders
- 13. Connecting device
- 14. Handle tube
- 15. Handle
- 16. Handle guide (two parts that snap together)
- 17. Lower Bearing guide
- 18. Rotating cable hook
- 20. On / Off-Switch
- 21. Height adjustment Brush
- 22. Bearing block right hand
- 23. Release button bearing block
- 24. Foot pedal
- 25. Filter bag connection
- 26. Brush roller
- 27. Mains Connector

Please Note: The dust bag housing cover cannot be removed completely! It has been omitted in the illustrations only to improve clarity!



Assembly

Place the filter compartment (1) on the power head (2) so that the connecting piece (13) reaches into the corresponding opening. Open the zipper (11) of the filter compartment by moving the two sliders (12) all the way down to the right and to the left. Make sure that both ends of the zipper reach straight into the plastic part. They may not be folded or protrude. Then press the bottom plate of the filter housing with the flat of your hand and shake it lightly. For the final connection of the main assemblies, one of the M5x30 screws (7) from the screw bag (6) is used. It should now be easy to push it a few millimeters into the hole and then engage with the thread inserted from the back.



Insert the handle tube (14) into the grip (15), so that the drilling (19A) in tube becomes visible through the hole (19) in the handle (15). Secure this connection with the M4x10 screw (8) out of the screw kit (6).

Additional tasks have to be performed for power cord cable installation. Please refer to next page for details of cable installation and routing.

Cable Installation and Routing and Final Handle Installation

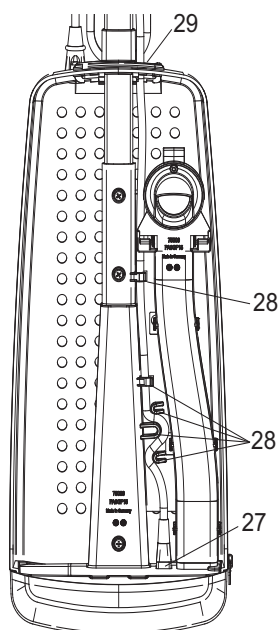
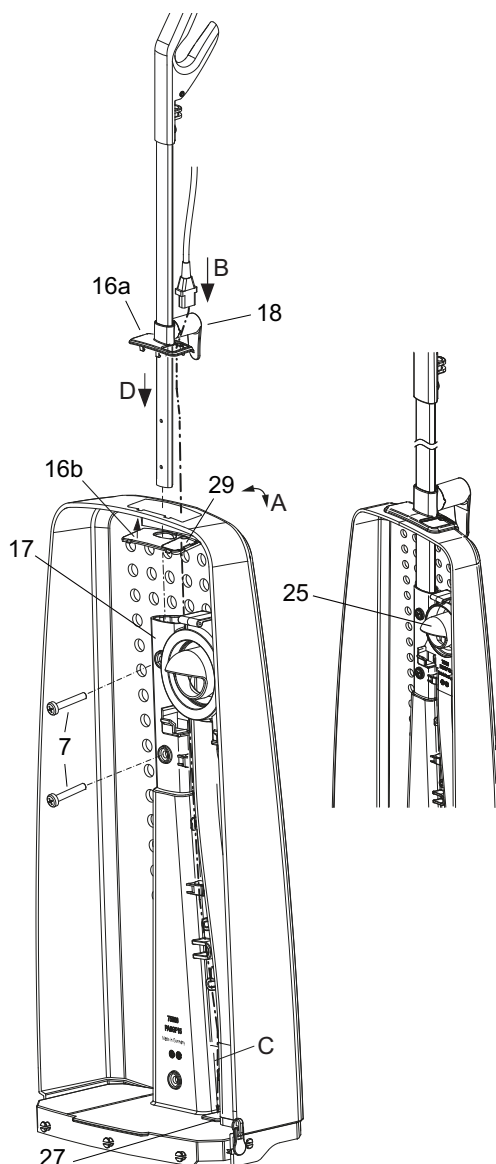
Open the flap (29) (as shown in Step A) in the lower part of the shaft guide (16b). This flap can be unlocked with the latch on 16b from inner side of the filter housing.

Guide the power cord through the upper part of the shaft guide (16a) as indicated by the dash-dot line (Step B).

Loosely route the power cord cable to the mains connector (27) at the bottom of the filter housing (Step C).

Then the upper guide (16a) and lower guide (16b) parts, assembled as shown can be locked together (Step D).

The handle assembly then has to be inserted into the lower part of the bearing guide (17) (already assembled with the filter bag housing) and will be secured with the two remaining M5x30 screws (7).



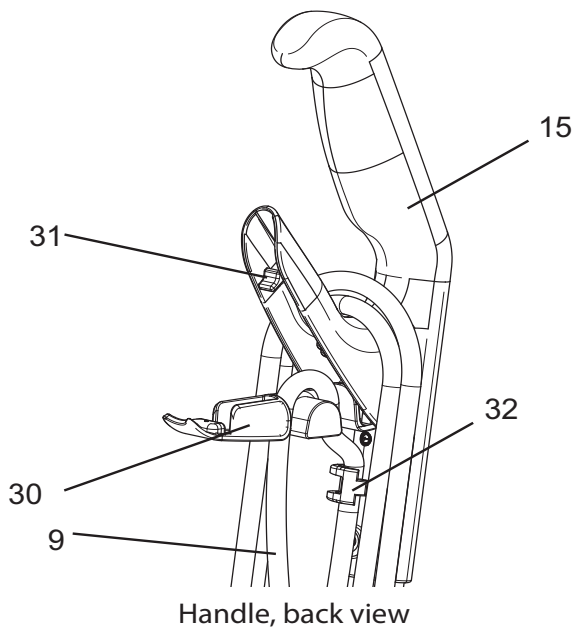
Plug-in power cable plug (9) into mains connector (27). Route cable as shown from bottom to top using fixing points (28). All remaining cable length will then move to the top automatically.

Close flap (29) of cable inlet.

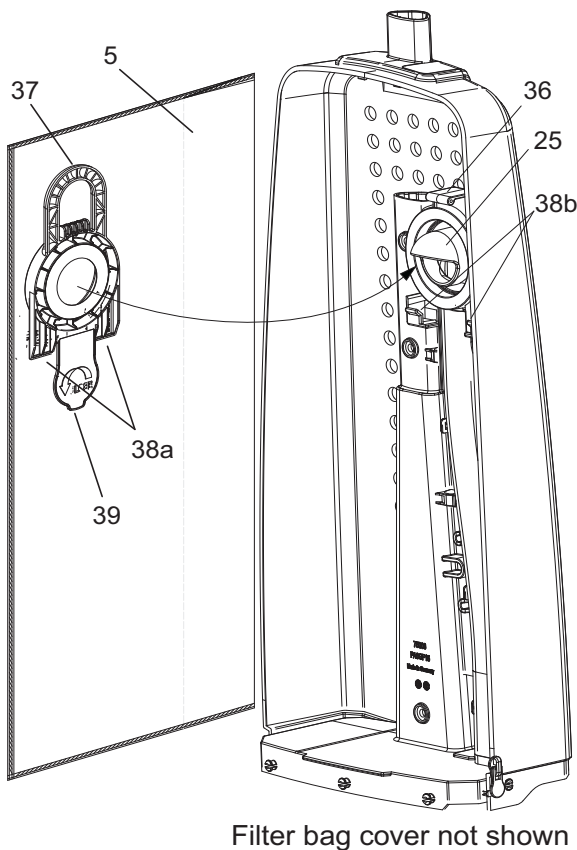
When not in use, cable can be rolled up between the rotating cable hook (18) and the grip.

Filter compartment, front view.
Cover not shown.

Operation



Open the strain relief (30) on the handle (15) with the catch (31). Insert the cable (9) into cable guide (32) and the strain relief (30) with some slack towards the machine. When closing the strain relief, the additional length distributes itself automatically or can be reduced by pulling gently.



Filter bag Installation

First insert the guides (38a) of the included filter bag (5) into the receptacles (38b). Then tilt it upwards until it locks to latch (36). The filter bag will be plugged onto the connector (25) of the air guide automatically.

Please make sure that the filter bag hangs smoothly and straight in the unit to ensure maximum suction power and dust collection.

Then move both sliders (12) of the zipper to the top of the filter bag housing.

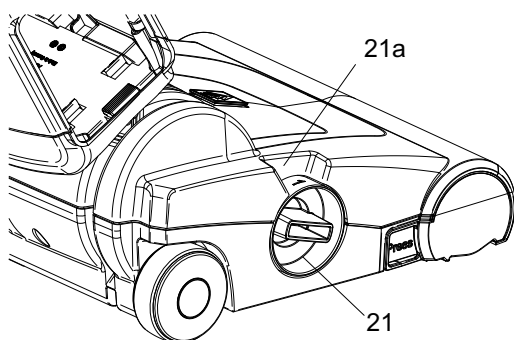
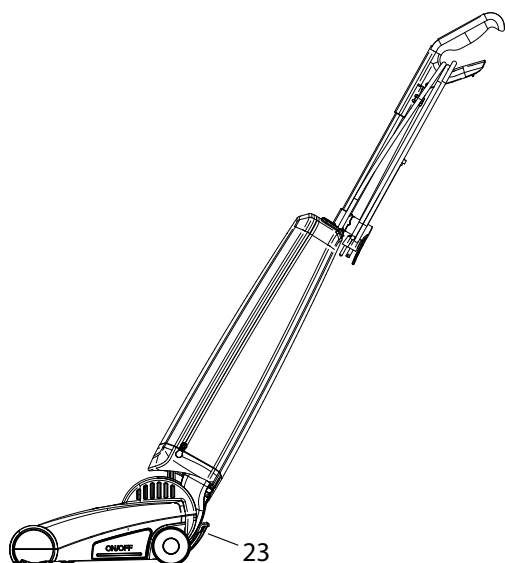
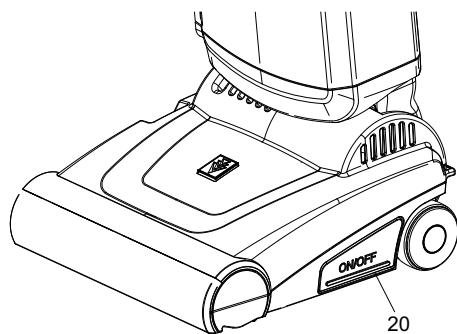
Removing / Changing filter bag

Lift latch (36) slightly with your thumb and pull handle (37) simultaneously.

Working with RANGER

RANGER is also equipped with many of the well known features of KARCHER upright vacuums.

The On / Off-Switch (20) is located on the left hand side of the power head and is designed to be operated by foot. A slight push will be sufficient for starting the motor, another push will stop it again.



Before bringing the vacuum in working position, please hold the handle firmly, otherwise the upper part may fall backwards! Push down the foot pedal (23) first. Afterwards, the machine can be tilted into a comfortable working position. For cleaning under furniture or upholstery, the top part can be tilted far back (up to 180°). Working space will only be limited by the height of the machine.



In breaks or after finishing work, it is mandatory to push the filter bag housing upwards until the foot pedal snaps in tactilely and audibly.

Only then the device can be safely placed on a solid surface.

After finishing your work, the mains power cord should be removed from the wall outlet and rolled up in order to prevent accidents.

The lower cable hook can be rotated for easy unwinding of the cord.

Height Adjustment of Brush

In order to get an optimal cleaning result, the brush of your RANGER can be height adjusted in four steps. The adjustment wheel (21) on the right hand side of the power head is intended for this purpose. These settings are possible:

1. Largest engagement in the carpet, also carpets with low pile height.
2. High sweeping performance, but perhaps faster wear of the brush roller. Also, for carpets with middle pile height.
3. Lower sweeping performance. Also, for carpets with more pile height.
4. Lowest engagement in the carpet, also, for long pile carpets.

The numbers listed above will also be shown on top of the adjuster (21a) according to the setting of the height adjustment.

With these setting options, the optimal balance between material protection required pushing force and brush roller wear can be achieved. If the cleaning performance is not sufficient, even in position 1, the brush roller is worn and needs to be replaced.

Please refer to "Maintenance and Care" for details on page 12.

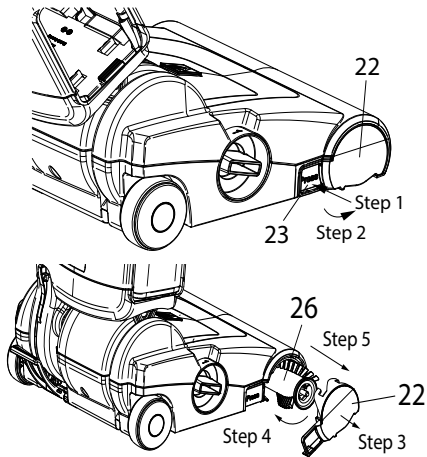
It has been proven that it makes sense to start in position "2" and change to diverting settings depending on personal feeling or conditions on site.

Maintenance and Care

Before performing any maintenance or cleaning, switch off unit and disconnect plug from wall outlet.

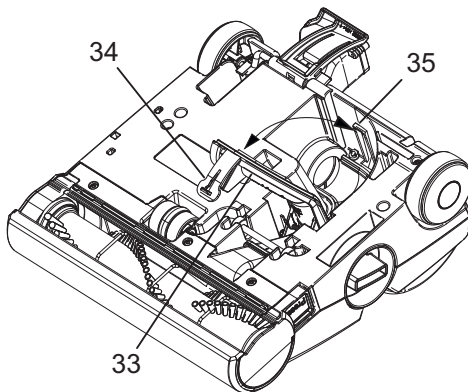
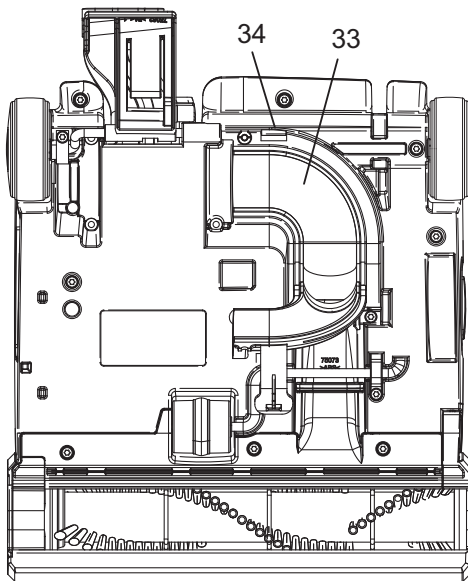
Removal of brush roller

In order to remove the brush roller of the power head, firmly press the button marked "PRESS" (23). Now you can swing the bearing block (22) downwards and remove it. Turn the brush roller (26) a bit clockwise and pull it out. It has been proven good practice to check the brush roller regularly for coiled yarn or hair and remove them.



Removing blockages

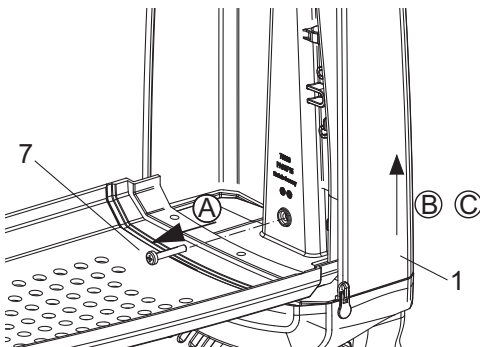
If only a slight suction effect is noticeable or if the brush has been blocked, there may be a clog in the air passage. On the bottom side of the power head, the cover (33) of the air duct can be opened by releasing latch (34) in order to remove clog from the air channel. Make sure that there is no clog beneath this cover or in the transitions to brush channel and turbine.



When closing the cover (33), make sure latch (34) snaps correctly into the locking hole (35).

If you suspect a blockage or clog in the filter compartment (please refer to pictures on page 9), unplug mains power cord on machine side (27), remove screw (7) and separate power head (2) and filter compartment (1). The air channel in the filter compartment can be checked easily from bottom. Do not try to open air channel in filter compartment! If latches break, machine will not work correctly any longer.

Under no circumstances blockages or clog may be cleaned by means of sticks or other hard or solid tools. Damages would be very likely.



Troubleshooting and Support

There are no user-serviceable parts inside the unit.

If a malfunction cannot be solved by the notes below, ask your dealer or other authorized service personal.

Machine does not start	Check power cord for correct placement in wall outlet and internal connector. If necessary, take it out and place it back into the machine.
Suction power decreases	Check for blockages or clog
	Check filling level of dust bag
No or poor suction detected	Check for blockages or clog
	Check filling level of dust bag
Machine switches off during operation	Check for blockages or clog

Technical Details

		Ranger
Electrical Supply	Units	
Mains Voltage	V AC	120
Frequency	Hz	60
Protection class		Grounded
Technical data		
Filter bag volume	l/gal	5.5 l, 1.45 US liq. Gal.
Engine	V, Hz,Amps, W	120V, 60 Hz, 4.1 Amps (~490W)
Measures and Weights		
Typical working weight	kg/lbs	6.2 kg, 13.7 lbs
Length	mm/inches	360mm, 14.2"
Width	mm/inches	310mm, 12.2"
Height	mm/inches	1160mm, 45.6"
Floor Adjustment		Mechanical
Brush Drive		Toothed Belt
Brush speed	rpm	2500 rpm
Working width:	mm, inches	308mm, 12"
Mains Power cable (available length after installation)	m, ft	7.5m, 25'
Surrounding Conditions		
Operating temperature range:	°C/°F	10 – 40 °C / 50 – 104 °F
Technical changes reserved		

Ranger

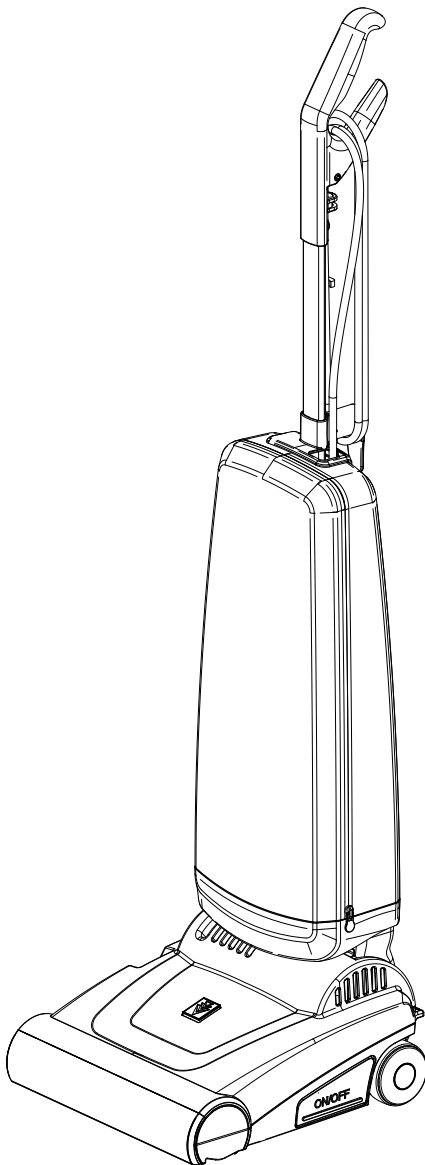
KÄRCHER

makes a difference

La Aspiradora

Instrucciones de funcionamiento (Español)

MODELO: 1.012-900.0
Ranger 12 120V/60Hz



Desde el número de serie: #CC0507279

Si el número de serie no aparece en la lista, Póngase en contacto con el fabricante

Diseñado para uso Comercial



8.645-244.0-B 11/10/22

Etiqueta de Datos de la Máquina

Modelo: _____

Fecha de la compra: _____

Número de serie: _____

Distribuidor: _____

Dirección: _____

Nº de teléfono: _____

Representante de ventas: _____

Registro de Garantía

Gracias por comprar un producto de Kärcher North America. El registro de la garantía es rápido y fácil. Su registro permitirá que le sirvamos mejor sobre el curso de la vida del producto. Para colocar su producto vaya:

<http://warranty.karcherna.com>

Para el servicio de atención al cliente llame al:

1-800-444-7654

KÄRCHER

Etiqueta de Datos de la Máquina	2
Índice	3
Cómo utilizar el manual	4

Seguridad

INSTRUCCIONES DE SEGURIDAD	
IMPORTANTES	5
Instrucciones Para Conectar El Equipo A Tierra	6

Operación

Alcance de la entrega	7
Piezas de repuesto	7
Elementos de Conexión y Funcionamiento	8
Instalación y Enrutamiento de Cables y Final	
Instalación del Mango	9
Instalación de bolsa de filtro	10
Extracción/Cambio de la bolsa del filtro	10
Trabajar con RANGER	11
Ajuste de la Altura del Cepillo	11

Mantenimiento

Mantenimiento y Cuidado	12
Extracción del Rodillo de Cepillado	12
Eliminación de Bloqueos	12
Solución de Problemas y Asistencia Técnica	13

Cómo utilizar el manual

El manual contiene las siguientes secciones:

- Cómo utilizar el manual
- Seguridad
- Operaciones
- Mantenimiento
- Lista de piezas

La sección CÓMO UTILIZAR EL MANUAL le indica el modo de encontrar información importante para pedir las piezas de recambio correctas.

Las piezas deben ser solicitadas a distribuidores autorizados. Al realizar el pedido de piezas, es importante saber el modelo y el número de serie de la máquina. Consulte el cuadro DATOS DE LA MÁQUINA que se completa durante la instalación de la máquina. El cuadro DATOS DE LA MÁQUINA está situado en la parte interior de la cubierta frontal de este manual.

Modelo: _____
Fecha de la compra: _____
Número de serie: _____
Distribuidor: _____
Dirección: _____
Nº de teléfono: _____
Representante de ventas: _____

El modelo y número de serie de su máquina están situados en el extremo inferior de la parte posterior de la máquina.

Símbolos utilizados en este manual:

1,2,3 Números de artículo con referencia en el texto y los listados

A , B Orden de los pasos de funcionamiento

La sección SEGURIDAD contiene información importante acerca de los usos de la máquina que pueden resultar peligrosos o poco seguros. Se identifican niveles de riesgos que pueden ocasionar lesiones personales o daños en el producto, o lesiones graves que pueden provocar la muerte.

El objetivo de la sección FUNCIONAMIENTO es familiarizar al operario con el manejo y el funcionamiento de la máquina.

La sección MANTENIMIENTO incluye instrucciones sobre mantenimiento preventivo para mantener la máquina y sus componentes en buenas condiciones de funcionamiento. Están clasificadas en el siguiente orden general:

- Mantenimiento y cuidado
- Retiro del cepillo cilíndrico
- Eliminación de bloqueos
- Resolución de problemas

La sección LISTA DE PIEZAS contiene ilustraciones de las piezas ensambladas y la correspondiente lista de piezas. Incluye además varias columnas con información:

- **EL ÍTEM** - la columna indica el número de referencia en la ilustración de las piezas.
- **NÚMERO DE PARTE** – la columna enumera el número de pieza.
- **NÚMERO DE REFERENCIA**- N.º de referencia
- **DESCRIPCIÓN**- la columna es una breve descripción de la pieza.
- **NOTAS**- esta columna contiene la información no incluida en las otras columnas.

NOTA: Si en la máquina se incluye un juego de servicio u opciones, asegúrese de conservar las INSTRUCCIONES DEL JUEGO que acompañan al mismo. Éste contiene los números de piezas de recambio necesarias para solicitar piezas en el futuro.

NOTA: El número de pieza correspondiente al manual está ubicado en la esquina inferior derecho de la tapa.

INSTRUCCIONES DE SEGURIDAD IMPORTANTES

Cuando se utilice la máquina, siempre se deben adoptar precauciones básicas, entre las que se incluye:

LEA TODAS LAS INSTRUCCIONES ANTES DE UTILIZAR LA MÁQUINA.

⚠ ADVERTENCIA: Para reducir el riesgo de incendio, descargas eléctricas y lesiones:

1. No deje la máquina enchufada. Debe desenchufarla cuando no se encuentra en uso y antes de repararla.
2. Conecte únicamente a una toma conectada adecuadamente a tierra. Consulte las instrucciones de conexión a tierra.
3. No la utilice en el exterior o en superficies mojadas.
4. No la utilice cerca de niños pequeños. No permita que se la emplee como juguete. Preste mucha atención cuando sea utilizada por niños o cerca de ellos.
5. Utilícela sólo del modo descrito en este manual. Utilice solamente los accesorios recomendados por el fabricante.
6. No la utilice si el cable o el enchufe están dañados. Si la máquina no funciona adecuadamente, se ha caído, ha sufrido daños, fue olvidada en el exterior, o ha caído al agua, llévela a un servicio técnico.
7. No empuje ni traslade la máquina usando el cable, no utilice el cable como manija, no enganche el cable con las puertas ni lo enrosque alrededor de bordes o ángulos filosos. No haga funcionar la máquina sobre el cable. Mantenga el cable alejado de las superficies calientes.
8. No desenchufe la máquina tirando del cable. Para desenchufarla, tire del enchufe, no del cable.
9. No manipule el enchufe ni la máquina con las manos húmedas.
10. No coloque objetos en las aberturas. No utilice la máquina si alguna de las aberturas está bloqueada, manténgala libre de polvo, pelusas, cabellos y de todos los objetos que pueden reducir el caudal de aire.
11. Mantenga el cabello, la ropa holgada, los dedos y todas las partes del cuerpo alejadas de las aberturas y las piezas móviles. No coloque los dedos ni otras partes del cuerpo debajo de la aspiradora a menos que se encuentre desenchufada.
12. No aspire objetos que estén ardiendo o humeando, como cigarrillos, cerillas o cenizas calientes.
13. No utilice la máquina si la bolsa o los filtros no están en su lugar. No lave los filtros.
14. Desconecte todos los controles antes de desenchufar la máquina.
15. Sea extremadamente precavido al limpiar escaleras.
16. No utilice la máquina para aspirar líquidos inflamables o combustibles tales como gasolina ni la utilice en superficies en donde haya habido dichos líquidos.
17. No maneje la máquina cerca de fluidos, polvo o vapores inflamables.
18. Personal debidamente capacitado debe realizar el mantenimiento y las reparaciones.
19. Utilice únicamente piezas de reemplazo idénticas. Consulte las instrucciones para realizar el mantenimiento de los aparatos.
20. No utilice la máquina como escalera.
21. Si se la utiliza sobre alfombras afelpadas o alfombras gruesas de fieltro no deje la máquina encendida en un solo lugar.
22. Apague siempre este utensilio antes de conectar o desconectar la boquilla motorizada.
23. El cepillo puede prenderse inesperadamente. Para reducir el riesgo de una lesión a causa de las partes móviles – Desconectese antes de repararse.
24. Guarde la aspiradora en un lugar seco a temperatura ambiente. Cuando la aspiradora no se esté usando, enrollé el cordón en los ganchos para el cable.
25. Cualquier otro servicio debe realizarlo un representante del servicio autorizado.
26. Asegúrese que su cable de extensión esté en buenas condiciones y sea del tamaño correcto para su aparato. La tabla en la página de Instrucciones de puesta a tierra muestra el tamaño correcto a usar dependiendo de la longitud del cable y la clasificación de amperios de la placa de identificación. Si tiene dudas, use el siguiente calibre más pesado. Mientras más bajo sea el número del calibre, más pesado será el cable. Un cable de extensión de tamaño menor causará una caída en el voltaje de línea, ocasionando una pérdida de energía y sobrecalentamiento.
27. Use solamente cables de extensión para exteriores de tres hilos que tengan enchufes de conexión a tierra de tres clavijas y receptáculos de conexión a tierra que acepten el enchufe del aparato.
28. Para reducir el riesgo de lesiones personales debido a una conexión eléctrica suelta entre el enchufe del aparato y el cable de extensión, conecte firme y completamente el enchufe al cable de extensión. Revise periódicamente la conexión durante la operación para asegurarse de que esté conectado completamente. No use un cable de extensión que proporcione una conexión suelta. Una conexión suelta puede ocasionar sobrecalentamiento, incendio, e incrementa el riesgo de una quemadura.
29. Para reducir el riesgo de desconexión del cable del aparato del cable de extensión durante la operación, haga un nudo como se muestra en las Instrucciones de puesta a tierra.
30. Mantenga el aparato con cuidado - Revise los cables de extensión periódicamente y reemplace si están dañados.

LEA Y GUARDE ESTAS INSTRUCCIONES

Instrucciones Para Conectar El Equipo A Tierra

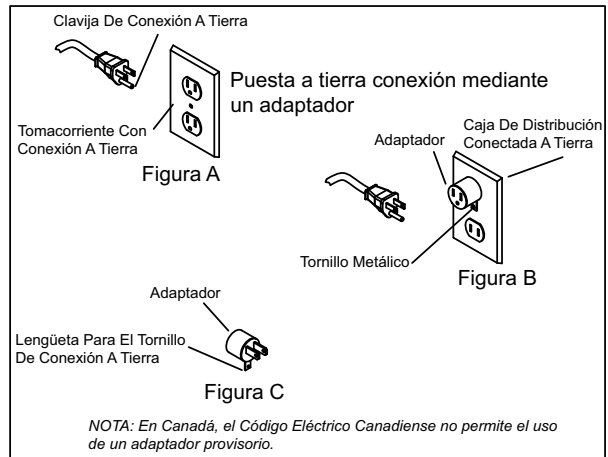
Este aparato debe estar conectado a tierra. En caso de un mal funcionamiento o una avería, la conexión a tierra brinda la posibilidad de una resistencia menor a la corriente eléctrica para reducir el riesgo de descarga eléctrica. Este aparato está equipado con un código que tiene un conductor y un enchufe para la conexión a tierra del equipo. El enchufe se debe insertar en un tomacorriente adecuado debidamente instalado y conectado a tierra de acuerdo con todos los códigos y ordenanzas locales.

⚠ ADVERTENCIA:

La conexión inadecuada del conductor con conexión a tierra del equipo conlleva el riesgo de descarga eléctrica. Si tiene alguna duda acerca de la debida conexión a tierra del tomacorriente consulte con un electricista o técnico calificado. No modifique el enchufe provisto con el aparato, si no cabe en el tomacorriente, indíquelo a un electricista calificado que le instale un tomacorriente adecuado.

Este aparato se utiliza en un circuito de 120 volts nominal y posee un enchufe con conexión a tierra parecido al ilustrado en el boceto A. Se puede usar un adaptador temporario similar al adaptador ilustrado en los bocetos B y C para conectar este enchufe a un receptáculo de 2 polos como se muestra en el boceto B en caso de que no haya disponible un enchufe con conexión a tierra. El adaptador provisorio sólo se debe usar hasta que un electricista calificado instale un tomacorriente conectado a tierra (boceto A). La espiga rígida verde, la argolla o pieza similar que se extiende desde el adaptador debe conectarse a una conexión a tierra permanente como una tapa de la caja de distribución adecuadamente conectada a tierra. Cuando se usa el adaptador, se lo debe sujetar en su sitio mediante un tornillo metálico.

Nota: En Canadá, el Código Eléctrico Canadiense no permite el uso de un adaptador provisorio..



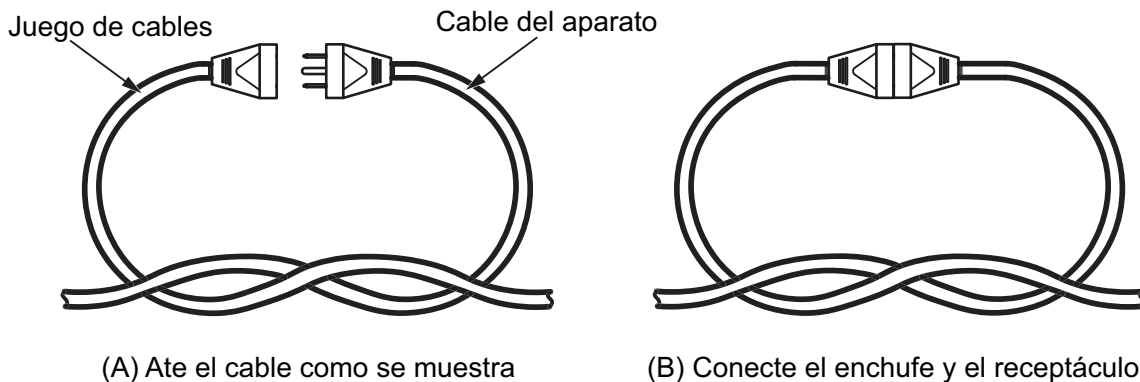
Eléctrica

En Estados Unidos, esta máquina funciona con un circuito eléctrico estándar de 115 voltios CA de 15 amperios. El amperaje, los hercios y el voltaje se mencionan en la etiqueta de datos de cada máquina. Si se utilizan voltajes superiores o inferiores a los indicados en la etiqueta de datos, los motores sufrirán daños graves

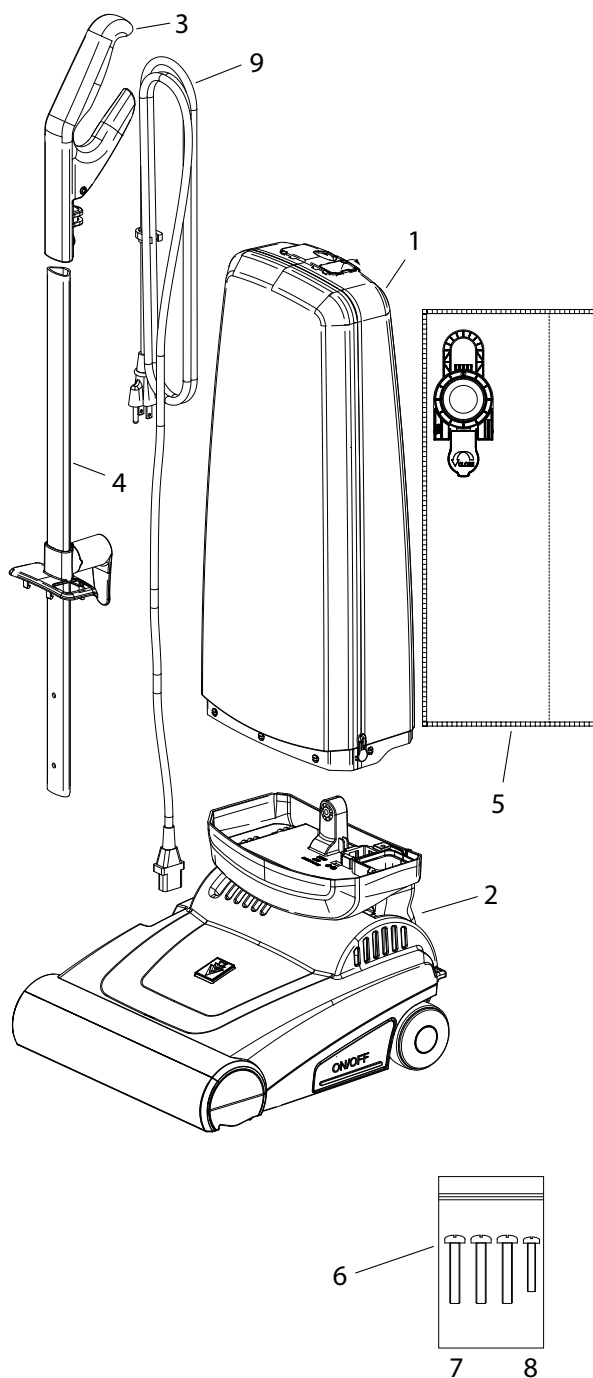
Cables de extensión

Si se usa un cable de extensión, el tamaño del cable debe ser el indicado en la tabla, y se debe limitar a 50 pies (15.5 m) de longitud.

Figura 1: método de sujeción del cable del aparato al Juego de cables de extensión



Clasificaciones y medidas de los cables de extensión					
Clasificación de amperios		Voltios	Longitud total del cable		
			7.62m (25ft)	15,24m (60ft)	30,48m (100ft)
More than A	Not More than A		mm ² (AWG)		
10	12	120 V	0.83 (18)	1.3 (16)	2.1 (14)



Alcance de la entrega

Contenido de la caja

1. Compartimiento del filtro
2. Cabezal de potencia
3. Empuñadura
4. Manija con guía y gancho para el cable
5. Bolsa de filtro 1x
6. Kit de tornillos con:
7. Tornillos Cabeza Redonda (Panhead) 3x M5x30, accionamiento Phillips
8. Tornillos Cabeza Redonda (Panhead) 1x M4x10, accionamiento Phillips
9. Cable de alimentación, de 3 hilos, enchufe estadounidense, 8.2m, (la longitud incluye la parte que va dentro del alojamiento de la bolsa del filtro)

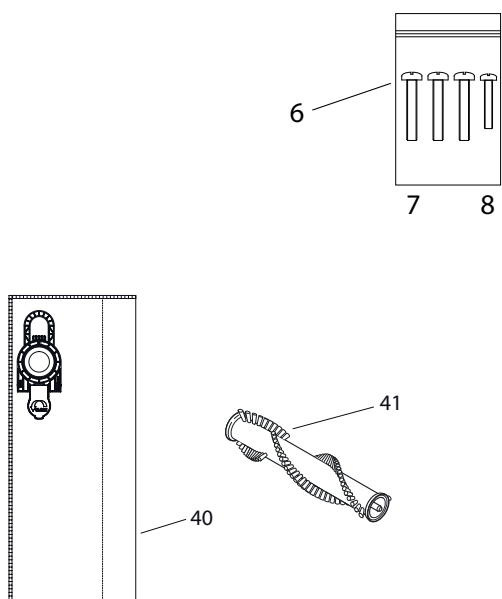
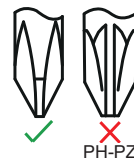
Por favor, compruebe si todas las piezas de la lista están presentes. Si falta algo, revise el material de embalaje y la bolsa de plástico con los documentos.

Para el ensamblado y algunas tareas de mantenimiento, necesitará un destornillador Phillips de tamaño PH2.

¡Esta herramienta no viene incluida en el set entregado!

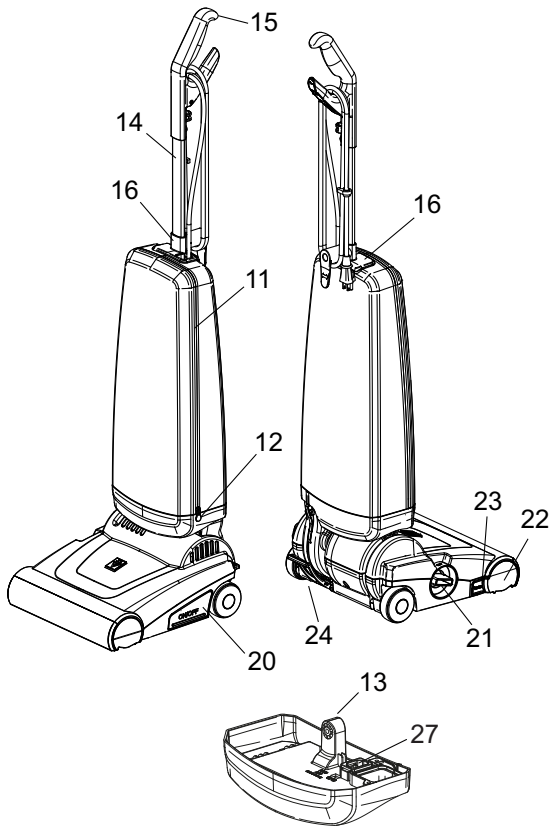


Destornillador - Phillips drive #2



Piezas de repuesto

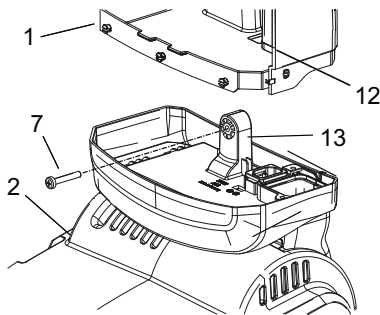
40. 8.645-209.0 Paquete de filtros 10 bolsas
41. 8.600-495.0 Cepillo Rodillo 31 cm (12")



Elementos de Conexión y Funcionamiento

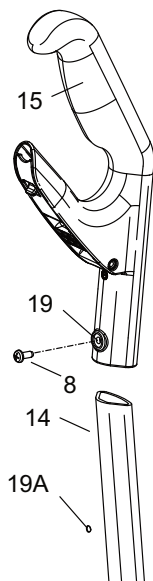
- 11. Zíper
- 12. Deslizadores
- 13. Dispositivo de conexión
- 14. Tubo de la manija
- 15. Mango
- 16. Guía de la manija (dos partes que encajan juntas)
- 17. Guía de cojinete inferior
- 18. Gancho de cable giratorio
- 20. Interruptor de encendido/de apagado
- 21. Cepillo de ajuste de altura
- 22. Bloque de cojinete de la mano derecha
- 23. Bloque de cojinete del botón de liberación
- 24. Pedal
- 25. Conexión de la bolsa del filtro
- 26. Rodillo del cepillo
- 27. Conector de red

Nota: ¡La tapa del alojamiento de la bolsa de polvo no se puede quitar completamente! Se ha omitido en las ilustraciones solo para mejorar la claridad.



Ensamblado

Coloque el compartimiento del filtro (1) en el cabezal de potencia (2) de forma que la pieza de conexión (13) llegue hasta la abertura correspondiente. Abra el zóper (11) del compartimiento del filtro moviendo los dos deslizadores (12) hasta el fondo a la derecha y a la izquierda. Cerciorarse que ambos extremos de la cremallera lleguen directamente a la pieza de plástico. No pueden doblarse ni sobresalir. Después presione la placa inferior de la carcasa del filtro con la palma de la mano y sacúdala ligeramente. Para la final conexión de los conjuntos principales, uno de los M5x30 se utilizan tornillos (7) de la bolsa de tornillos (6). Debería ahora será fácil empujarlo unos milímetros dentro del agujero y luego enganchar con el hilo insertado desde el espalda.



Inserte el tubo del mango (14) en la empuñadura (15), de modo que la perforación (19A) en el tubo se hace visible a través de la agujero (19) en el mango (15). Asegure esta conexión con el tornillo M4x10 (8) del juego de tornillos (6).

Deben realizar trabajo adicional para la instalación del cable de alimentación. Consulte la página siguiente para detalles de instalación y enrutamiento de cables.

Instalación y Enrutamiento de Cables y Final Instalación del Mango

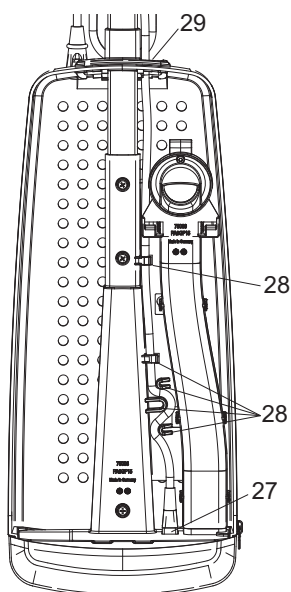
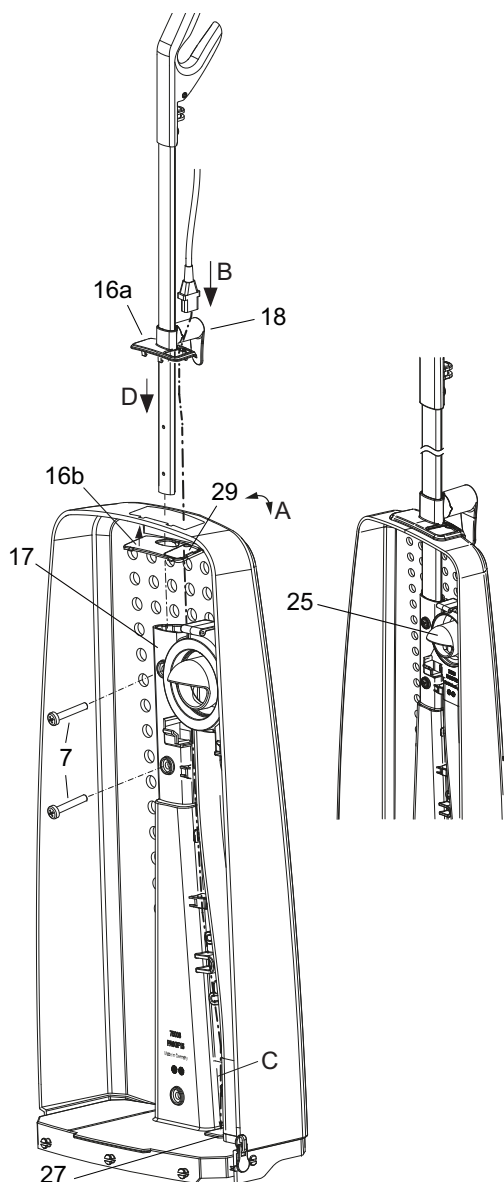
Abra la tapa (29) (como se muestra en el Paso A) en la parte inferior parte de la guía del eje (16b). Este colgajo puede ser desbloqueado con el pestillo en 16b desde el lado interior de la filtros de hogar.

Pase el cable de alimentación por la parte superior del guía del eje (16a) como lo indica la línea de puntos y guiones (Paso B).

Dirija sin apretar el cable del cable de alimentación a la red eléctrica conector (27) en la parte inferior de la carcasa del filtro (Paso C).

Luego la guía superior (16a) y la guía inferior (16b) las piezas ensambladas como se muestra pueden bloquearse juntas (Paso D).

Luego, el conjunto del mango debe insertarse en el parte inferior de la guía de rodamientos (17) (ya ensamblado con la carcasa de la bolsa de filtro) y será asegurado con los dos tornillos restantes M5x30 (7).

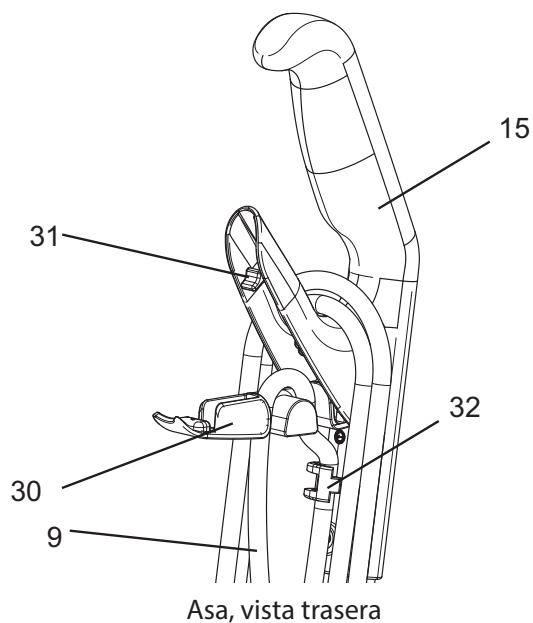


Enchufar el enchufe del cable de alimentación (9) en el conector de red (27). Pase el cable como se muestra de abajo hacia arriba utilizando los puntos de fijación (28). Toda la longitud de cable restante se moverá entonces hacia arriba automáticamente.

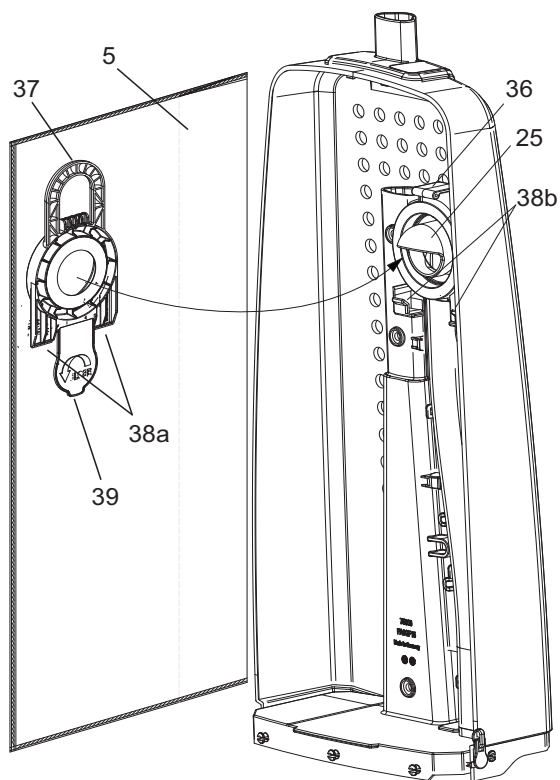
Cierre la tapa (29) de la entrada de cables.

Cuando no se utiliza, el cable puede enrollarse entre el gancho giratorio del cable (18) y la empuñadura.

Compartimiento del filtro, vista frontal.
No se muestra la tapa.



Abra el alivio de tensión (30) en la manija (15) con el seguro (31). Introduzca el cable (9) en la guía del cable (32) y en el alivio de tensión (30) con cierta holgura hacia la máquina. Al cerrar el alivio de tensión, la longitud adicional se distribuye automáticamente o puede reducirse tirando suavemente.



No se muestra la tapa de la bolsa de filtro

Instalación de bolsa de filtro

En primer lugar, introduzca las guías (38a) de la bolsa de filtro incluida (5) en los receptáculos (38b). A continuación, inclínelo en dirección hacia arriba hasta encajar en el pestillo (36). La bolsa del filtro se enchufa automáticamente en el conector (25) de la guía de aire.

Por favor, asegúrese de que la bolsa de filtro cuelgue suavemente y en línea recta en la unidad para garantizar la máxima potencia de succión y la recolección de polvo.

A continuación, mueva los dos deslizadores (12) del zíper hacia la parte superior del alojamiento de la bolsa del filtro.

Extracción/Cambio de la bolsa del filtro

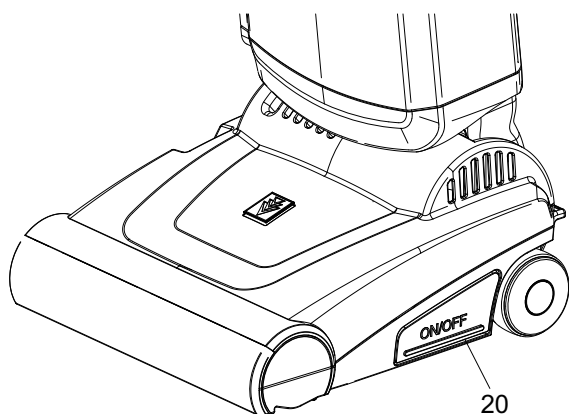
Levante ligeramente el pestillo (36) con el pulgar y tire simultáneamente de la manija (37).

Trabajar con RANGER

RANGER también está equipada con muchas de las conocidas características de las aspiradoras verticales KARCHER.

El interruptor de encendido/apagado (20) está situado en el lado izquierdo del cabezal de potencia y está diseñado para ser accionado con el pie. Una ligera presión será suficiente para arrancar el motor, otra presión lo detendrá de nuevo.

Antes de poner la aspiradora en posición de trabajo, sujete la manija con firmeza, de lo contrario la parte superior puede caer hacia atrás. Presione primero el pedal (23). Después, la máquina puede inclinarse hasta una posición de trabajo cómoda. Para limpiar debajo de los muebles o tapicerías, la parte superior puede inclinarse hacia atrás (hasta 180°). El espacio de trabajo solo estará limitado por la altura de la máquina.



En las pausas o al terminar el trabajo, es obligatorio empujar el alojamiento de la bolsa del filtro hacia arriba hasta que el pedal encaje de forma táctil y audible.

Solo entonces se puede colocar el dispositivo de forma segura sobre una superficie sólida.

Una vez finalizado el trabajo, se debe retirar el cable de alimentación de la toma de corriente y enrollarlo para evitar accidentes.

El gancho inferior del cable se puede girar para desenrollarlo fácilmente



Ajuste de la Altura del Cepillo

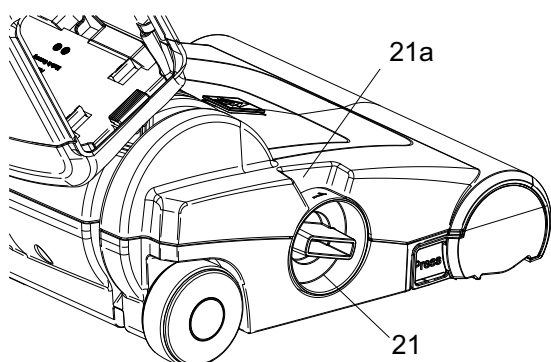
Para obtener un resultado de limpieza óptimo, el cepillo de su RANGER puede ajustarse en altura en cuatro pasos. La rueda de ajuste (21) situada en el lado derecho del cabezal de potencia está destinada a este fin. Estos ajustes son posibles:

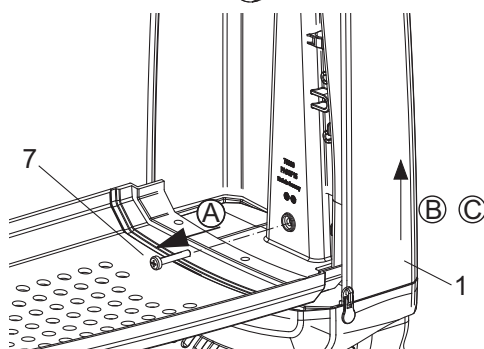
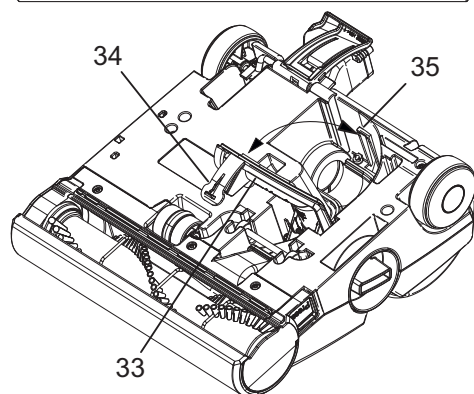
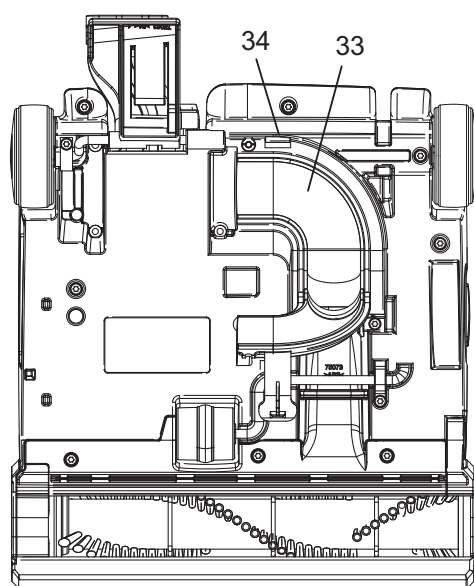
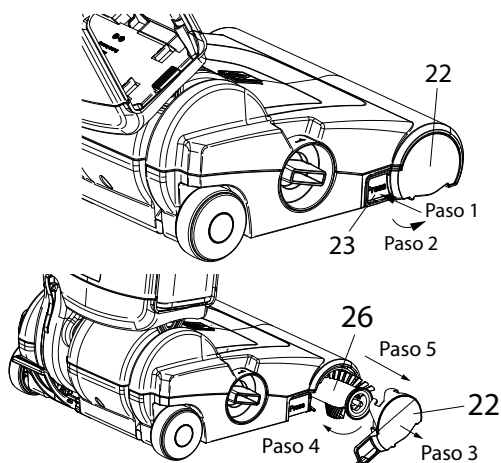
1. El mayor compromiso en la alfombra, también las alfombras con altura de pelo corta.
2. Alto rendimiento de barrido, pero quizás un desgaste más rápido del rodillo de cepillado. También, para alfombras con altura de pelo media.
3. Menor rendimiento de barrido. Además, para alfombras con más altura de pelo.
4. El menor compromiso en la alfombra, también para alfombras de pelo largo.

Los números mencionados anteriormente también se mostrarán en la parte superior del ajustador (21a) según la configuración del ajuste de altura.

Con estas opciones de ajuste se puede lograr el equilibrio óptimo entre la protección del material, la fuerza de empuje necesaria y el desgaste del rodillo de cepillado. Si el rendimiento de la limpieza no es suficiente, incluso en la posición 1, el rodillo del cepillo está desgastado y debe ser sustituido.

Consulte los detalles en "Mantenimiento y cuidado" en la página 12. Se ha comprobado que tiene sentido empezar en la posición "2" y cambiar a los ajustes de desviación dependiendo de la sensación personal o de las condiciones en el lugar.





Mantenimiento y Cuidado

Antes de realizar cualquier tipo de mantenimiento o limpieza, apague la unidad y desconecte el enchufe de la toma de corriente.

Extracción del Rodillo de Cepillado

Para quitar el cepillo cilíndrico del cabezal de potencia, presione firmemente el botón marcado como "PRESIONAR (PRESS)" (23). Ahora puede girar el bloque de rodamientos (22) hacia abajo y retirarlo. Gire el rodillo del cepillo (26) un poco en el sentido de las agujas del reloj y sáquelo. Se ha demostrado que es una buena práctica comprobar regularmente si el rodillo del cepillo tiene hilos o pelos enrollados y eliminarlos.

Eliminación de Bloqueos

Si solo se nota un ligero efecto de succión o si el cepillo se ha bloqueado, puede haber una obstrucción en el paso de aire. En la parte inferior del cabezal de potencia, la tapa (33) del canal de aire puede abrirse soltando el pestillo (34) para eliminar la obstrucción del canal de aire. Asegúrese de que no haya ninguna obstrucción debajo de esta tapa o en las transiciones al canal de cepillado y a la turbina.

Al cerrar la tapa (33), asegúrese de que el pestillo (34) encaje correctamente en el orificio de cierre (35).

Si sospecha que hay un bloqueo o una obstrucción en el compartimento del filtro (consulte las imágenes de la página 9), desenchufe el cable de alimentación del lado de la máquina (27), retire el tornillo (7) y separe el cabezal de potencia (2) y el compartimento del filtro (1). El canal de aire en el compartimento del filtro se puede comprobar fácilmente desde abajo. ¡No intente abrir el canal de aire en el compartimento del filtro! Si los pestillos se rompen, la máquina dejará de funcionar correctamente.

En ningún caso se pueden limpiar los bloqueos u obstrucciones con palos u otras herramientas duras o sólidas. Los daños serían muy probables.

Solución de Problemas y Asistencia Técnica

En el interior de la unidad no hay piezas que puedan ser reparadas por el usuario.

Si una avería no se puede solucionar con las notas que aparecen a continuación, consulte a su distribuidor o a otro personal de servicio autorizado.

La máquina no arranca	Compruebe que el cable de alimentación está correctamente colocado en la toma de corriente y en el conector interno. Si es necesario, sáquelo y vuelva a colocarlo en la máquina.
La potencia de succión disminuye	Compruebe si hay bloqueos u obstrucciones
	Compruebe el nivel de llenado de la bolsa de polvo
No se detecta succión o ésta es insuficiente	Compruebe si hay bloqueos u obstrucciones
	Compruebe el nivel de llenado de la bolsa de polvo
La máquina se apaga durante el funcionamiento	Compruebe si hay bloqueos u obstrucciones

Datos Técnico

		Ranger
Suministro Eléctrico	Unidades	
Tensión de red	V AC	120
Frecuencia	Hz	60
Clase de protección		Conectado a tierra
Datos Técnico		
Volumen de la bolsa de filtro	litros / galón	5.5 l, 1.45 US liq. Gal.
Motor	V, Hz, Amps, W	120V, 60 Hz, 4.1 Amps (~490W)
Medidas y Pesos		
Peso típico de trabajo	kg/lbs	6.2 kg, 13.7 lbs
Longitud	mm / pulgadas	360mm, 14.2"
Ancho	mm / pulgadas	310mm, 12.2"
Altura	mm / pulgadas	1160mm, 45.6"
Ajuste del suelo		Mecánico
Accionamiento del cepillo		Correa dentada
Velocidad del cepillo	rpm	2500 rpm
Anchura de trabajo:	mm / pulgadas	308mm, 12"
Cable de alimentación de red (longitud disponible después de la instalación)	metros, ft	7.5m, 25'
Condiciones del Entorno		
Rango de temperatura de funcionamiento:	°C/°F	10 – 40 °C / 50 – 104 °F
Cambios técnicos reservados		

Ranger

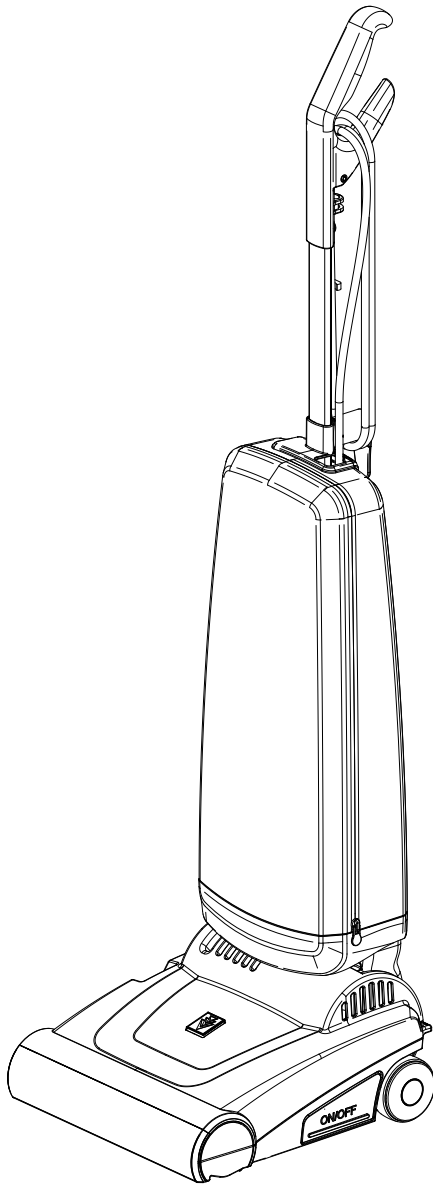
KÄRCHER

makes a difference

L'aspirateur

Mode d'emploi (Français)

Modèle: 1.012-900.0
Ranger 120V/60Hz



Du numéro de série. #CC0507279

Si le numéro de série ne figure pas dans la liste, contactez le fabricant

Destiné à un usage Commercial



8.645-244.0-B 11/10/22

Étiquette de données de la machine

Modèle : _____

Date d'achat : _____

Numéro de série : _____

Détaillant : _____

Adresse : _____

Numéro de téléphone : _____

Représentant commercial: _____

Enregistrement de la garantie

Merci d'avoir acheté un produit Kärcher North America. L'enregistrement de la garantie est facile et rapide. Votre enregistrement nous permettra de mieux vous servir tout au long de la durée de vie de votre produit.

Pour enregistrer votre produit, consultez :

<http://warranty.karcherna.com>

Pour l'assistance client:

1-800-444-7654

KÄRCHER

Étiquette de données de la machine	2
Table des matières	3
Comment utiliser ce manuel.....	4

Sécurité

CONSIGNES DE SÉCURITÉ IMPORTANTES ..	5
INSTRUCTIONS DE MISE À LA TERRE	6

Opération

Champ d'application	7
Pièces de Rechange.....	7
Éléments de raccord et de fonctionnement	8
Installation et routage des câbles et final Installation de la poignée.....	9
Installation du Sac Filtrant.....	10
Retrait et Remplacement du Sac	10
Utilisation du RANGER	11
Réglage de la hauteur de la brosse	11

Entretien

Entretien et maintenance	12
Retrait du rouleau-brosse	12
Élimination des blocages	12
Dépannage et soutien.....	13
Données techniques	13

Comment utiliser ce manuel

Ce manuel contient les sections suivantes:

- Comment utiliser ce manuel
- Sécurité
- Opérations
- Entretien
- Liste des pièces

La section COMMENT UTILISER CE MANUEL vous dira comment trouver des informations importantes pour commander les pièces de rechange correctes.

Les pièces peuvent être commandées auprès des revendeurs agréés. Lorsque vous passez une commande de pièces, le modèle de la machine et le numéro de série de la machine sont importants. Consultez la case DONNÉES DE LA MACHINE qui est remplie lors de l'installation de votre machine. La case DONNÉES DE LA MACHINE se trouve sur la deuxième de couverture de ce manuel.

Modèle :	_____
Date d'achat :	_____
Numéro de série :	_____
Détaillant :	_____
Adresse :	_____
Numéro de téléphone :	_____
Représentant commercial :	_____

Le modèle et le numéro de série de votre machine se trouvent sur l'arrière-inférieur de la machine.

Symboles utilisés dans ce manuel :

1,2,3 Numéros d'articles avec référence dans le texte et les listes

A , B Ordre des étapes de travail

La section SÉCURITÉ contient des informations importantes concernant les utilisations dangereuses ou risquées de la machine. Les catégories de risques identifiés comprennent des risques qui pourraient endommager le produit, provoquer des blessures corporelles ou des blessures graves entraînant la mort.

La section OPÉRATIONS familiarise l'opérateur avec le fonctionnement et les fonctions de la machine.

La section ENTRETIEN contient les mesures d'entretien préventif pour maintenir la machine et ses composants en bon état. Elles sont énumérées dans cet ordre général:

- Entretien et soins
- Brosse rouleau
- Suppression du blocage
- Dépannage et assistance
- Détails techniques

La section LISTE DES PIÈCES contient des illustrations des pièces assemblées et la liste des pièces correspondantes. Les listes de pièces comprennent un certain nombre de colonnes informatives :

- **I' ITEM** - la colonne se réfère au numéro de référence sur l'illustration des pièces.
- **NUMÉRO DE PIÈCE** - cette colonne indique le numéro de pièce de la pièce.
- **NUMÉRO DE RÉFÉRENCE** - cette colonne indique la quantité de la pièce utilisée dans cette section de la machine.
- **LA DESCRIPTION** – la colonne contient une brève description de la pièce.
- **REMARQUES** – colonne pour les informations non traitées par les autres colonnes.

REMARQUE : Si un kit d'entretien ou kit optionnel est installé sur votre machine, conservez soigneusement les INSTRUCTIONS DU KIT accompagnant le kit. Il contient les numéros des pièces de rechange nécessaires pour commander de nouvelles pièces.

REMARQUE : La référence du manuel se trouve dans le coin inférieur droite de la couverture.

CONSIGNES DE SÉCURITÉ IMPORTANTES

Lorsque vous utilisez cette machine, les précautions de base doivent toujours être suivies, notamment :

LIRE TOUTES LES INSTRUCTIONS AVANT D'UTILISER CETTE MACHINE.

⚠ AVERTISSEMENT: Pour réduire les risques d'incendie, de choc électrique ou de blessure:

1. Ne pas laisser l'appareil sans surveillance lorsqu'il est branché. Débrancher l'appareil lorsqu'il n'est pas utilisé et avant toute opération d'entretien.
2. Brancher seulement à une prise correctement mise à la terre. Voir les instructions de mise à la terre.
3. Ne pas utiliser à l'extérieur ou sur des surfaces humides.
4. Ne pas utiliser à proximité de jeunes enfants. Cet appareil n'est pas un jouet. Une surveillance étroite est impérative lorsqu'il est utilisé par des enfants ou à proximité.
5. N'utiliser que conformément aux instructions de ce manuel. N'utiliser que les accessoires recommandés par le fabricant.
6. Ne pas utiliser un cordon ou une fiche endommagé(e). Si l'appareil ne fonctionne pas correctement, s'il a chuté, a été endommagé, laissé à l'extérieur ou s'il est tombé dans l'eau, le renvoyer à un centre de service.
7. Ne pas tirer sur ou transporter par le cordon, utiliser le cordon comme une poignée, fermer une porte sur le cordon ou tirer le cordon autour de bords ou d'angles pointus. Ne pas faire rouler l'appareil sur le cordon. Tenir le cordon éloigné des surfaces chaudes.
8. Ne pas débrancher l'appareil en tirant sur le cordon. Pour débrancher, saisir la fiche et non le cordon.
9. Ne pas manipuler la fiche ou l'appareil avec les mains mouillées.
10. Ne pas insérer d'objets dans les ouvertures. Ne pas utiliser le produit si l'une des ouvertures est obstruée. Retirer la poussière, les peluches et les cheveux, ou tout autre élément pouvant réduire la circulation de l'air.
11. Tenir les cheveux, les vêtements amples, les doigts ou toute autre partie du corps éloignés des ouvertures et des pièces en mouvement. Ne pas placer les doigts ou autres parties du corps sous l'aspirateur, à moins que l'appareil ne soit débranché.
12. Ne pas aspirer des choses qui brûlent ou fument, comme des cigarettes, des allumettes ou des cendres chaudes.
13. Ne pas utiliser sans le sac à poussière et/ou les filtres en place. Ne pas laver les filtres.
14. Placer toutes les commandes sur la position d'arrêt avant de débrancher l'appareil.
15. Faire particulièrement attention lors du nettoyage des escaliers.
16. Ne pas utiliser pour ramasser des liquides inflammables ou combustibles tels que l'essence ou dans les zones où ils peuvent avoir été présents.
17. Ne pas utiliser cette machine en présence de fluides, de poussière ou de vapeurs inflammables.
18. L'entretien et les réparations doivent être effectués par du personnel qualifié.
19. N'utiliser que des pièces de rechange identiques. Consulter les instructions d'entretien des appareils.
20. Ne pas utiliser la machine comme escabeau.
21. Si elle est utilisée sur une moquette ou un tapis à poils longs avec un rembourrage épais, ne pas laisser la machine au même endroit lorsqu'elle est en fonctionnement.
22. Éteignez toujours cet appareil avant de brancher ou de débrancher la buse motorisée.
23. Brush peut redémarrer de manière inattendue. Pour réduire le risque de blessures causées par les pièces mobiles. – Débranchez avant l'entretien.
24. Conservez l'aspirateur dans un endroit sec à température ambiante. Lorsque l'aspirateur n'est pas utilisé, vous devez enrouler le cordon sur les crochets de câble.
25. Tout autre entretien doit être effectué par un représentant de service autorisé.
26. Assurez-vous que la rallonge électrique est en bonne condition et d'une taille qui convient à votre appareil. Le tableau de la page des instructions de mise à la terre présente les tailles à utiliser, selon la longueur du cordon et l'intensité nominale de la plaque signalétique. En cas de doute, utiliser un cordon d'alimentation d'une grosseur supérieure. Plus le numéro de jauge est petit, plus le cordon d'alimentation est gros. Une rallonge électrique d'une taille insuffisante mènera à une baisse de tension de ligne, à une perte de puissance et à une surchauffe.
27. N'utiliser que des rallonges électriques extérieures à trois fils dotées d'une prise avec mise à la terre pouvant accepter la fiche de l'appareil.
28. Afin de réduire les risques de blessure personnelle en raison d'une mauvaise connexion électrique, brancher fermement la prise de l'appareil à la rallonge électrique extérieure. Vérifier périodiquement le branchement lors de l'utilisation afin de vous assurer d'une connexion ferme. N'utiliser pas de rallonge dont le branchement est lâche. Une connexion lâche peut mener à une surchauffe, à des étincelles et à un risque accru de combustion.
29. Afin de réduire le risque de déconnexion du cordon de l'appareil à la rallonge lors de l'opération, faire un nœud comme présenté dans les instructions de mise à la terre.
30. Entretien de l'appareil avec soin. Inspecter les rallonges électriques périodiquement et remplacer-les si elles sont endommagées.

LIRE ET CONSERVER CES INSTRUCTIONS

INSTRUCTIONS DE MISE À LA TERRE

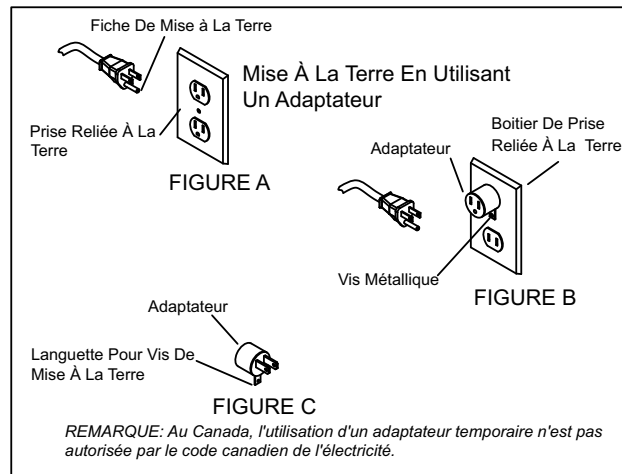
Cet appareil doit être mis à la terre. En cas de dysfonctionnement ou de panne, la mise à la terre fournit un chemin de moindre résistance au courant électrique pour réduire le risque de choc électrique. Cet appareil est équipé d'un cordon comportant un conducteur de mise à la terre de l'équipement et une fiche de mise à la terre. La fiche doit être branchée dans une prise adéquate qui soit correctement installée et mise à la terre en conformité avec tous les codes et les réglementations locaux.

⚠️ AVERTISSEMENT:

Un branchement inadéquat du conducteur de mise à la terre de l'équipement peut entraîner un risque d'électrocution. Vérifier avec un électricien ou un membre qualifié du personnel d'entretien si vous doutez de la bonne mise à la terre de la prise. Ne pas modifier la fiche fournie avec l'appareil - si elle n'entre pas dans la prise, faites installer une prise adéquate par un électricien qualifié.

Cet appareil doit être utilisé sur un circuit nominal de 120 volts, et dispose d'une fiche mise à la terre qui ressemble à la fiche illustrée dans le croquis A. Un adaptateur temporaire ressemble à l'adaptateur illustré dans les croquis B et C, et peut être utilisé, il relie cette fiche à une prise électrique à 2 bornes comme indiqué dans le croquis B si une prise correctement mise à la terre n'est pas disponible. L'adaptateur temporaire ne doit être utilisé que jusqu'à ce qu'une prise correctement mise à la terre (croquis A) puisse être installée par un électricien qualifié. La languette, patte ou autre pièce rigide verte s'étendant de l'adaptateur doit être connectée à un dispositif permanent mis à terre, comme le couvercle d'une boîte de sortie correctement mise à la terre. Si un adaptateur est utilisé, il doit être maintenu en place par une vis métallique.

Remarque : Au Canada, l'utilisation d'un adaptateur temporaire n'est pas autorisée par le Code canadien de l'électricité.



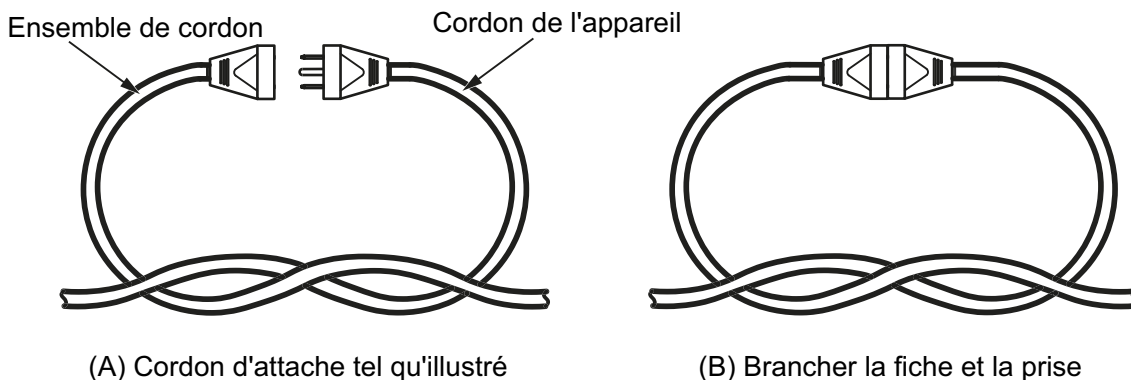
Caractéristiques électriques

Aux États-Unis et au Canada, la machine fonctionne sur un circuit électrique c.a. standard de 15 A et 115 V. Les caractéristiques d'intensité, de fréquence et de tension se trouvent sur la plaque signalétique de chaque appareil. L'utilisation d'une tension supérieure ou inférieure à celle indiquée sur la plaque signalétique peut mener à des dommages importants aux moteurs.

Rallonges électriques

Si vous utilisez une rallonge électrique, sa taille doit correspondre à ce qui est présenté dans le tableau et ne doit pas dépasser 15,5 m (50 pi).

Figure 1: méthode pour fixer le cordon de l'appareil à la rallonge

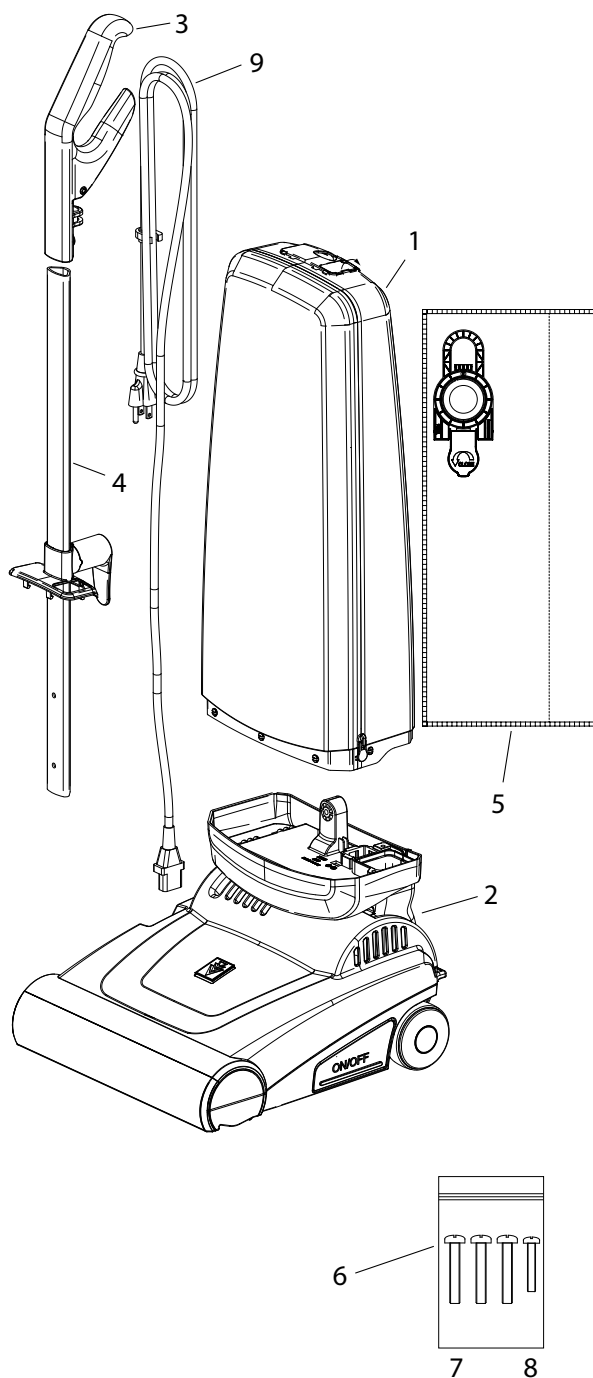


Cotes et mesures des rallonges				
Ampère nominal		Volts	Longueur totale du cordon	
			7,62m (25ft)	15,24m (60ft)
				30,48m (100ft)
More than A	Not More than A		mm ² (AWG)	
10	12	120 V	0.83 (18)	1.3 (16)
				2.1 (14)

Champ d'application

Contenu de la boîte

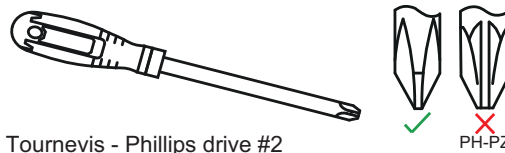
1. Compartiment du filtre
2. Bloc-moteur
3. Poignée
4. Manche avec guide et crochet de câble
5. Sac filtrant 1X
6. Jeu de vis avec
7. Vis à tête cylindrique 3X ,M5x30, clé Phillips
8. Vis à tête cylindrique 1X, M4x10, clé Phillips
9. Cordon d'alimentation, 3 fils, prise américaine, 8,2 m, (la longueur comprend la partie qui est acheminée à l'intérieur du boîtier du sac filtrant)



Veillez vérifier qu'il ne manque aucune pièce. Si quelque chose manque, veuillez vérifier le matériel d'emballage et le sac en polyéthylène avec les documents.

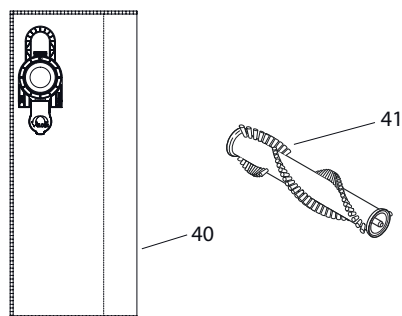
Pour l'assemblage et certaines tâches d'entretien, vous aurez besoin d'un tournevis à tête Phillips de taille PH2.

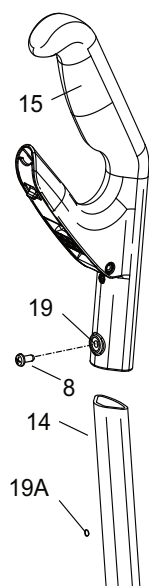
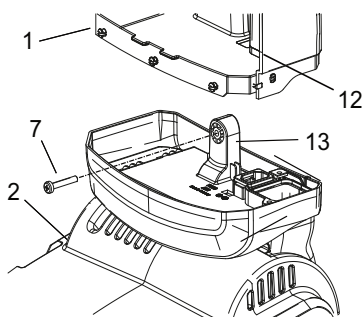
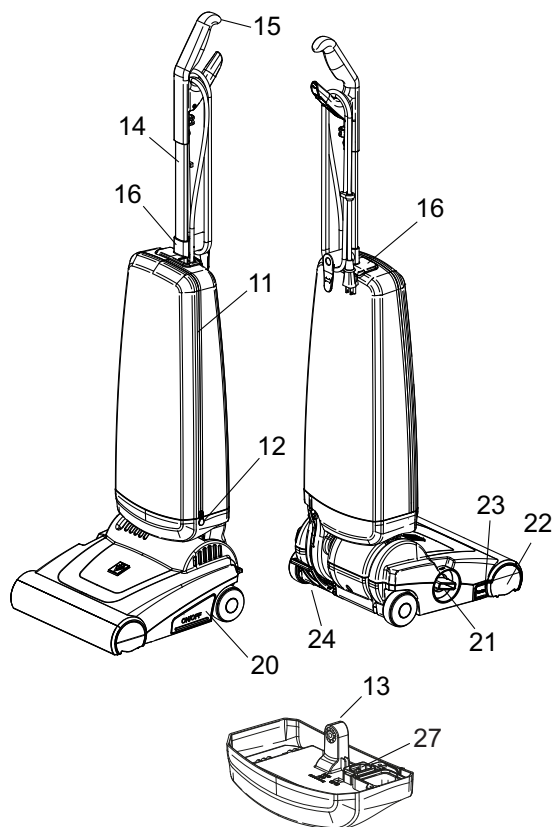
Cet outil n'est pas contenu dans le jeu fourni!



Pièces de Rechange

40. 8.645-209.0 Pack de filtres 10 sacs
41. 8.600-495.0 Brosse Rouleau 31 cm (12")





Éléments de raccord et de fonctionnement

- 11. Fermeture à glissière
- 12. Curseurs
- 13. Dispositif de raccordement
- 14. Tube de la poignée
- 15. Poignée
- 16. Guide de la poignée (deux parties qui s'emboîtent)
- 17. Guide de roulement inférieur
- 18. Crochet de câble rotatif
- 20. Interrupteur marche/arrêt
- 21. Brosse de réglage de la hauteur
- 22. Bloc de roulement à droite
- 23. Bouton de déblocage du bloc de roulement
- 24. Pédale
- 25. Raccordement du sac filtrant
- 26. Rouleau-brosse
- 27. Connecteur secteur

Remarque : le couvercle du sac à poussière ne peut pas être retiré complètement. Il a été omis dans les illustrations uniquement pour améliorer la clarté.

Assemblage

Placez le compartiment du filtre (1) sur le bloc-moteur (2) de manière à ce que la pièce de raccordement (13) s'insère dans l'ouverture correspondante. Ouvrez la fermeture à glissière (11) du compartiment du filtre en déplaçant les deux curseurs (12) à fond vers le bas, vers la droite et vers la gauche. Assurez-vous que les deux extrémités de la fermeture à glissière atteignent directement la partie en plastique. Elles ne doivent pas être pliées ou dépasser. Appuyez ensuite sur la plaque inférieure du boîtier du filtre avec le plat de la main et secouez-la légèrement. Pour la connexion finale des ensembles principaux, l'une des vis M5x30 (7) du sachet de vis (6) est utilisée. Il devrait maintenant être facile de l'enfoncer de quelques millimètres dans le trou puis de l'engager avec le filetage inséré par l'arrière.

Insérez le tube de la poignée (14) dans la poignée (15), de sorte que le perçage (19A) dans le tube devienne visible à travers le trou (19) de la poignée (15). Fixez cette connexion avec la vis M4x10 (8) du kit de vis (6).

Des tâches supplémentaires doivent être effectuées pour le cordon d'alimentation pose de câbles. Veuillez vous reporter à la page suivante pour plus de détails sur l'installation et l'acheminement des câbles.

Installation et routage des câbles et final Installation de la poignée

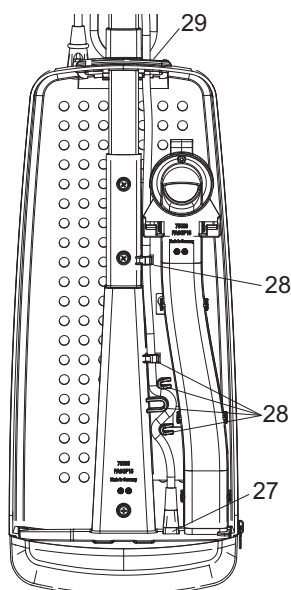
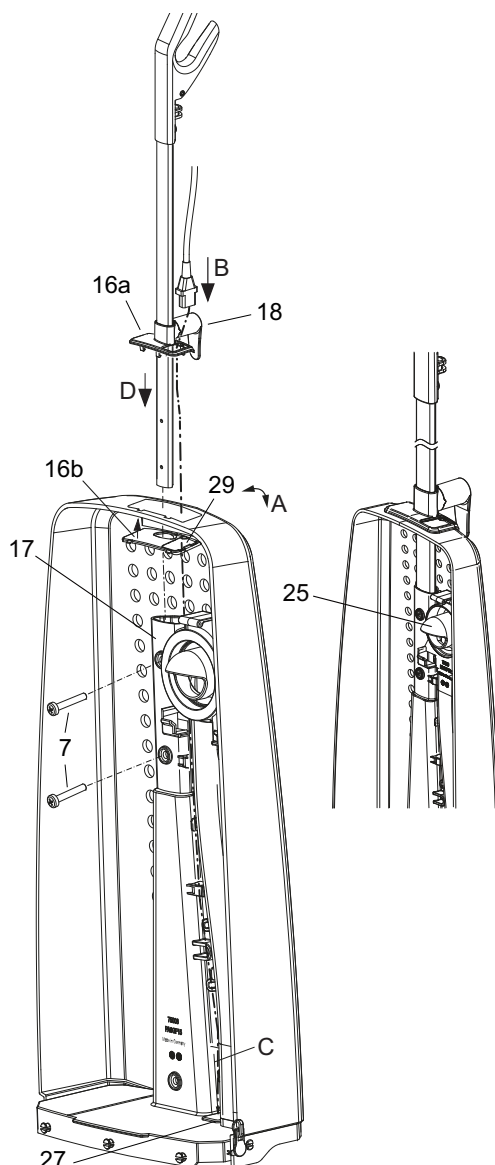
Ouvrez le volet (29) (comme illustré à l'étape A) dans la partie inférieure du guide d'arbre (16b). Ce volet peut être déverrouillé avec le loquet sur 16b depuis le côté intérieur du boîtier du filtre.

Guidez le cordon d'alimentation à travers la partie supérieure du guide d'arbre (16a) comme indiqué par la ligne en pointillés (Étape B).

Acheminez sans serrer le câble du cordon d'alimentation vers le connecteur secteur (27) au bas du boîtier du filtre (Étape C).

Ensuite, les parties de guide supérieur (16a) et de guide inférieur (16b), assemblées comme illustré, peuvent être verrouillées ensemble (étape D).

L'ensemble de la poignée doit ensuite être inséré dans la partie inférieure du guide de roulement (17) (déjà assemblé avec le boîtier du sac filtrant) et sera fixé avec les deux vis M5x30 restantes (7).



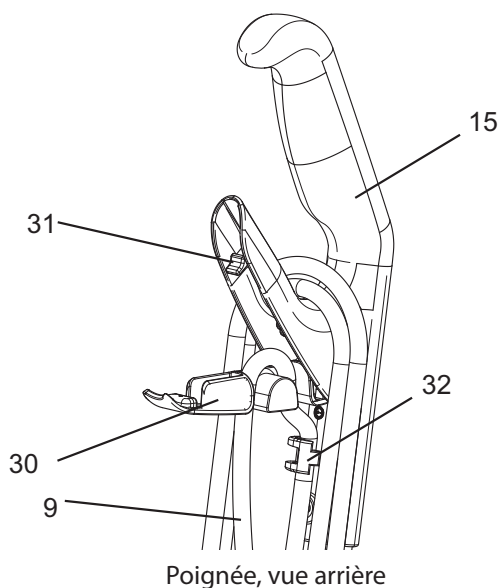
Branchez la fiche du câble d'alimentation (9) dans le connecteur secteur (27). Faites passer le câble comme indiqué, de bas en haut, en utilisant les points de fixation (28). Toute la longueur de câble restante sera alors automatiquement déplacée vers le haut.

Fermez le couvercle (29) de l'entrée de câble.

Lorsqu'il n'est pas utilisé, le câble peut être enroulé entre le crochet de câble rotatif (18) et la poignée.

Compartiment du filtre, vue de face.
Couvercle non illustré.

Opération



Ouvrez le détenteur (30) sur la poignée (15) avec le loquet (31). Insérez le câble (9) dans le guide-câble (32) et le détenteur (30) avec un peu de relâchement vers la machine. Lors de la fermeture du détenteur, la longueur supplémentaire se répartit automatiquement ou peut être réduite en tirant doucement.

Installation du Sac Filtrant

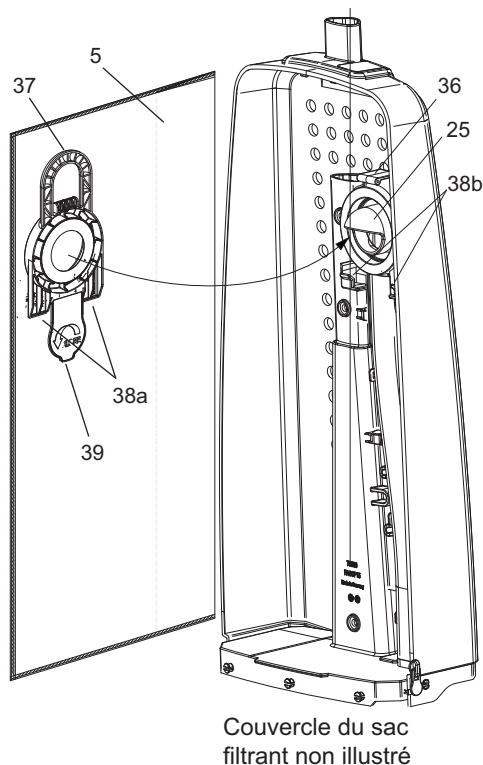
Insérez d'abord les guides (38a) du sac filtrant (5) fourni dans les réceptacles (38b). Faites-les ensuite basculer vers le haut jusqu'à ce qu'ils s'enclenchent dans le loquet (36). Le sac filtrant se branche automatiquement sur le connecteur (25) du guidage d'air.

Veillez à ce que le sac filtrant soit bien suspendu et droit dans l'appareil pour garantir une puissance d'aspiration et une collecte maximale de la poussière.

Déplacez ensuite les deux curseurs (12) de la fermeture à glissière vers le haut du boîtier du sac filtrant.

Retrait et Remplacement du Sac

Soulevez légèrement le loquet (36) avec le pouce et tirez la poignée (37) simultanément.

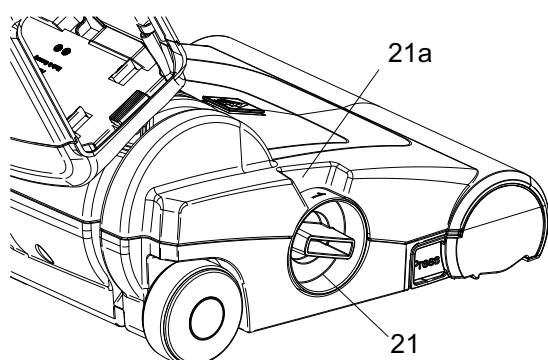
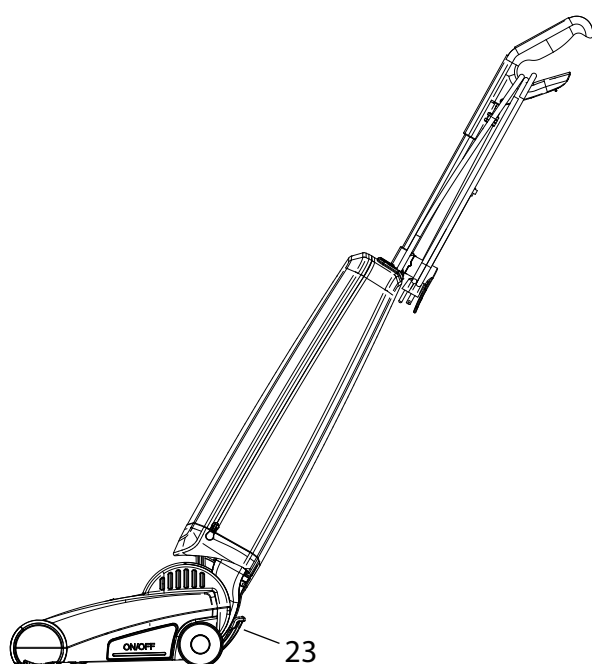
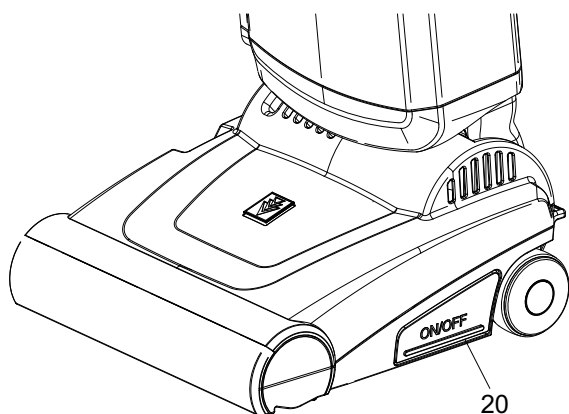


Utilisation du RANGER

Le RANGER est également doté de nombreuses caractéristiques bien connues des aspirateurs verticaux KARCHER.

L'interrupteur marche/arrêt (20) est situé sur le côté gauche du bloc-moteur et est conçu pour être actionné avec le pied. Une légère poussée suffira à faire démarrer le moteur, une autre poussée l'arrêtera.

Avant de mettre l'aspirateur en marche, tenez fermement la poignée, sinon la partie supérieure risque de basculer vers l'arrière! Appuyez d'abord sur la pédale (23). Ensuite, la machine peut être inclinée dans une position de travail confortable. Pour le nettoyage sous les meubles ou sur les tissus d'ameublement, la partie supérieure peut être inclinée vers l'arrière (jusqu'à 180°). L'espace de travail ne sera limité que par la hauteur de la machine.



Pendant les pauses ou après avoir terminé le travail, il est obligatoire de pousser le boîtier du sac filtrant vers le haut jusqu'à ce que la pédale s'enclenche de manière tactile et audible.

Ce n'est qu'ensuite que l'appareil peut être placé en toute sécurité sur une surface solide.

Une fois le travail terminé, le cordon d'alimentation secteur doit être retiré de la prise murale et enroulé afin d'éviter tout accident.

Le crochet inférieur du câble peut être tourné pour faciliter le déroulement du cordon

Réglage de la hauteur de la brosse

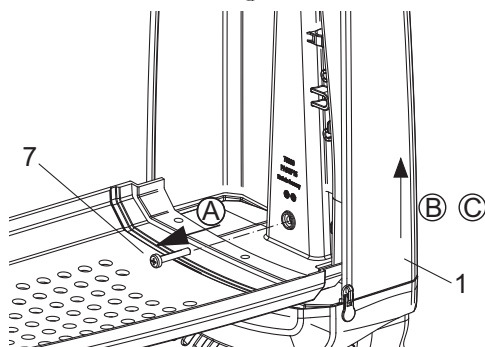
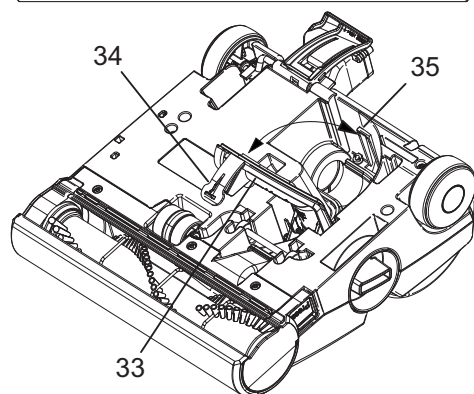
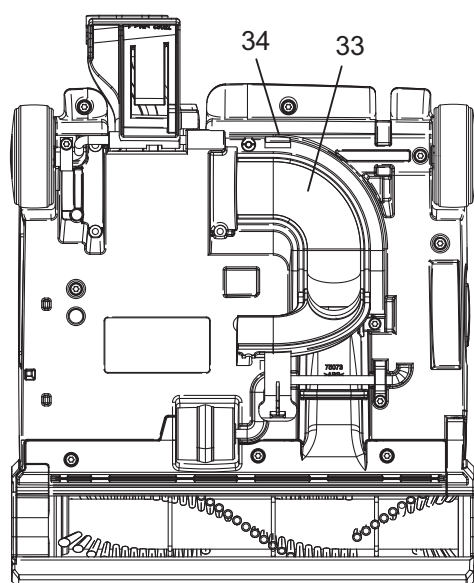
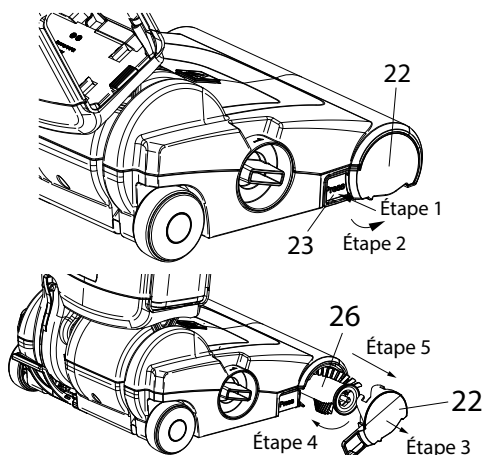
Afin d'obtenir un résultat de nettoyage optimal, la brosse de votre RANGER peut être réglée en hauteur sur quatre niveaux. La molette de réglage (21) située sur le côté droit du bloc-moteur est prévue à cet effet. Ces réglages sont possibles :

1. L'engagement le plus important dans la moquette, également pour les moquettes à faible hauteur de velours.
2. Haute performance de balayage, mais peut-être une usure plus rapide du rouleau-brosse. Aussi, pour les moquettes à hauteur moyenne de velours.
3. Performance inférieure de balayage. De même, pour les moquettes dont le velours est plus haut.
4. Engagement le plus faible dans la moquette, également pour les moquettes à velours long.

Ces options de réglage permettent d'obtenir un équilibre optimal entre la protection des matériaux, la force de poussée requise et l'usure du rouleau-brosse. Si la performance de nettoyage n'est pas suffisante, même en position 1, le rouleau-brosse est usé et doit être remplacé.

Pour plus de détails, reportez-vous à la section "Entretien et maintenance" à la page 12.

Il a été prouvé qu'il est judicieux de commencer par la position " 2 " et de passer aux réglages de déviation en fonction du besoin ou des conditions sur place.



Entretien et maintenance

Avant d'effectuer tout entretien ou nettoyage, éteignez l'appareil et débranchez la fiche de la prise murale

Retrait du rouleau-brosse

Pour retirer le rouleau-brosse du bloc moteur, appuyez fermement sur le bouton marqué « PRESS » (23). Vous pouvez maintenant faire pivoter le bloc de roulement (22) vers le bas et le retirer. Tournez légèrement le rouleau-brosse (26) dans le sens horaire et retirez-le. Il a été prouvé qu'une bonne pratique consiste à vérifier régulièrement que le rouleau-brosse ne contient pas de fils ou de cheveux enroulés et de veiller à les retirer.

Élimination des blocages

Si vous ne constatez qu'un léger effet d'aspiration ou si la brosse est bloquée, il se peut que le passage d'air soit obstrué. Sur le côté inférieur du bloc-moteur, le couvercle (33) du conduit d'air peut être ouvert en relâchant le loquet (34) afin de déboucher le canal d'air. Assurez-vous qu'il n'y a pas de bouchon sous ce couvercle ou dans les transitions vers le canal de la brosse et la turbine.

Lorsque vous fermez le couvercle (33), assurez-vous que le loquet (34) s'enclenche correctement dans le trou de verrouillage (35).

Si vous soupçonnez un blocage ou une obstruction dans le compartiment du filtre (voir les photos de la page 9), débranchez le cordon d'alimentation secteur sur le côté de la machine (27), retirez la vis (7) et séparez le bloc-moteur (2) et le compartiment du filtre (1). Le canal d'air dans le compartiment du filtre peut être vérifié facilement par le bas. N'essayez pas d'ouvrir le canal d'air dans le compartiment du filtre. Si les loquets se brisent, la machine ne fonctionnera plus correctement.

En aucun cas, les blocages ou les obstructions ne doivent être nettoyés à l'aide de bâtons ou d'autres outils durs ou solides. Des dommages seraient très probables.

Dépannage et soutien

Il n'y a aucune pièce réparable par l'utilisateur à l'intérieur de l'appareil.

Si un dysfonctionnement ne peut être résolu à l'aide des remarques ci-dessous, demandez une assistance à votre revendeur ou à un autre membre du personnel de service agréé.

La machine ne se met pas en marche	Vérifiez que le cordon d'alimentation est correctement placé dans la prise murale et le connecteur interne. Si nécessaire, retirez-le et remettez-le dans la machine.
La puissance d'aspiration diminue	Vérifiez s'il y a des blocages ou des obstructions
	Vérifiez le niveau de remplissage du sac à poussière
Pas ou peu d'aspiration détectée	Vérifiez s'il y a des blocages ou des obstructions
	Vérifiez le niveau de remplissage du sac à poussière
La machine s'éteint pendant le fonctionnement	Vérifiez s'il y a des blocages ou des obstructions

Données techniques

		Ranger
Alimentation électrique	Unités	
Tension secteur	V AC	120
Fréquence	Hz	60
Classe de protection		de mise à la terre
Données techniques		
Volume du sac filtrant	litres / gallons	5.5 l, 1.45 US liq. Gal.
Moteur	V, Hz, Amps, W	120V, 60 Hz, 4.1 Amps (~490W)
Measure et poids		
Poids de travail typique	kg/lbs	6.2 kg, 13.7 lbs
Longueur	mm / pouces	360mm, 14.2"
Largeur	mm / pouces	310mm, 12.2"
Hauteur	mm / pouces	1160mm, 45.6"
Réglage au sol		Mécanique
Entraînement des brosses		courroie crantée
Vitesse des brosses	rpm	2500 rpm
Largeur de travail :	mm / pouces	308mm, 12"
Câble d'alimentation secteur, (longueur disponible après installation)	mètres, ft	7.5m, 25'
Conditions environnementales		
Plage de température de fonctionnement :	°C/°F	10 – 40 °C / 50 – 104 °F
Modifications techniques de réserve		

