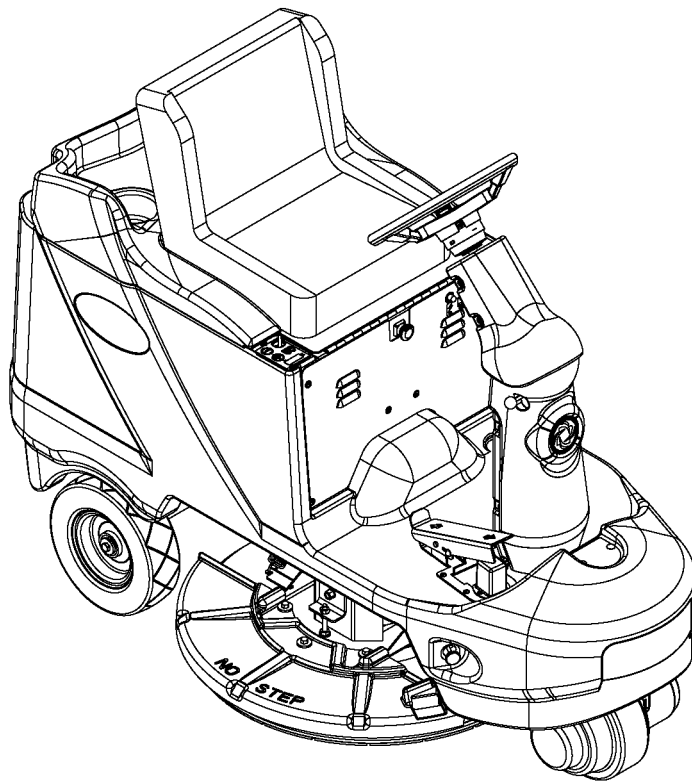


Advolution™ 2710

UHR 70-1700



INSTRUCTIONS FOR USE
INSTRUCCIONES DE USO
ADVANCE MODELS 56422000, 56422002
NILFISK MODEL 56422001



Nilfisk
Advance

setting standards

A-English
B-Español

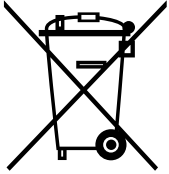
3/06 Form No. 56041634



WEEE SYMBOL INFORMATION

English

Correct Disposal of This Product (Waste Electrical & Electronic Equipment) (Applicable in the European Union and other European countries with separate collection systems)



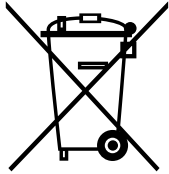
This marking shown on the product or its literature, indicates that it should not be disposed with other household wastes at the end of its working life. To prevent possible harm to the environment or human health from uncontrolled waste disposal, please separate this from other types of wastes and recycle it responsibly to promote the sustainable reuse of material resources.

Household users should contact either the retailer where they purchased this product, or their local government office, for details of where and how they can take this item for environmentally safe recycling.

Business users should contact their supplier and check the terms and conditions of the purchase contract. This product should not be mixed with other commercial wastes for disposal.

Español

Eliminación correcta de este producto (material eléctrico y electrónico de descarte) (Aplicable en la Unión Europea y en países europeos con sistemas de recogida selectiva de residuos)



La presencia de esta marca en el producto o en el material informativo que lo acompaña, indica que al finalizar su vida útil no deberá eliminarse junto con otros residuos domésticos. Para evitar los posibles daños al medio ambiente o a la salud humana que representa la eliminación incontrolada de residuos, separe este producto de otros tipos de residuos y recíclelo correctamente para promover la reutilización sostenible de recursos materiales.

Los usuarios particulares pueden contactar con el establecimiento donde adquirieron el producto, o con las autoridades locales pertinentes, para informarse sobre cómo y dónde pueden llevarlo para que sea sometido a un reciclaje ecológico y seguro.

Los usuarios comerciales pueden contactar con su proveedor y consultar las condiciones del contrato de compra. Este producto no debe eliminarse mezclado con otros residuos comerciales.

TABLE OF CONTENTS

	Page
Introduction.....	A-3
Parts and Service.....	A-3
Nameplate.....	A-3
Uncrating the Machine.....	A-3
Important Safety Instructions.....	A-4
Importantes consignes de sécurité.....	A-5
Know Your Machine.....	A-6 – A-7
Preparing the Machine for Use	
Batteries.....	A-8
Installation of the Burnishing Pad.....	A-9
Installation of the Dust Collection Bag.....	A-10
Operating the Machine	
Before Each use.....	A-11
Plan Your Floor Burnishing.....	A-11
Operating The Machine.....	A-11
Maintenance	
After Use.....	A-12
Maintenance Schedule.....	A-12
Lubricating the Machine.....	A-12
Steering Chain Tension.....	A-12
Electromagnetic Brake.....	A-12
Charging the Batteries.....	A-13
General Machine Troubleshooting	
Error Display.....	A-14
Swirl Marks.....	A-14
Circles on the Floor.....	A-14
Floor Finish Removed.....	A-14
Machine Wobbles During Operation.....	A-14
Machine Does Not Run.....	A-14
Technical Specifications.....	A-15

INTRODUCTION

This manual will help you get the most from your **Nilfisk-Advance Advolution™ 2710 / UHR 70-1700**. Read it thoroughly before operating the machine.

Note: Bold numbers in parentheses indicate an item illustrated on pages A-6 – A-7.

This product is intended for commercial use only.

PARTS AND SERVICE

Repairs, when required, should be performed by Nilfisk-Advance service personnel using Nilfisk-Advance original replacement parts and accessories.

Call Nilfisk-Advance for repair parts or service. Please specify the Model and Serial Number when discussing your machine.

NAME PLATE

The Model and Serial Number of your machine are shown on the Nameplate on the machine. This information is needed when ordering repair parts for the machine. Use the space below to note the Model and Serial Number of your machine for future reference.

MODEL _____

SERIAL NUMBER _____

UNCRATING

When the machine is delivered, carefully inspect the shipping packaging and the machine for damage. If damage is evident, save the shipping carton (if applicable) so that it can be inspected. Contact the Nilfisk-Advance Customer Service Department immediately to file a freight damage claim. Refer to the unpacking instruction sheet included with the machine to remove the machine from the pallet.

IMPORTANT SAFETY INSTRUCTIONS

This machine is only suitable for commercial use, for example in hotels, schools, hospitals, factories, shops and offices other than normal residential housekeeping purposes.



Read all instructions before using.

WARNING!

To reduce risk of fire, electric shock, or injury:

- Use only as described in this manual. Use only manufacturer's recommended attachments.
- This machine shall be used only by properly trained and authorized persons.
- This machine is for dry use only and shall not be used or stored outdoors in wet conditions.
- Do not allow to be used as a toy. Close attention is necessary when used by or near children.
- Keep sparks, flame and smoking materials away from batteries. Explosive gases are vented during normal operation.
- Charging the batteries produces highly explosive hydrogen gas. Charge batteries only in well-ventilated areas, away from open flame. Do not smoke while charging the batteries.
- Remove all jewelry when working near electrical components.
- Turn the key switch off (O) and disconnect the batteries before servicing electrical components.
- Never work under a machine without safety blocks or stands to support the machine.
- Do not dispense flammable cleaning agents, operate the machine on or near these agents, or operate in areas where flammable liquids exist.
- Do not clean this machine with a pressure washer.
- This machine is not approved for use on public paths or roads.
- Do not put any object into openings. Do not use with any opening blocked; keep free of dust, lint, hair, and anything that may reduce air flow.
- * Do not use on surfaces having a gradient exceeding that marked on the machine.
- When operating this machine, ensure that third parties, particularly children, are not endangered.
- Before performing any service function, carefully read all instructions pertaining to that function.
- Do not leave the machine unattended without first turning the key switch off (O) and removing the key. The parking brake is automatically activated at this time.
- * Turn the key switch off (O) and remove the key, before changing the brushes, and before opening any access panels.
- Take precautions to prevent hair, jewelry, or loose clothing from becoming caught in moving parts.
- Do not use without dust bag and / or filters in place.
- Do not stand on the pad housing.
- This machine is not suitable for picking up health endangering dust.
- The batteries must be removed from the machine before the machine is scrapped. The disposal of the batteries should be safely done in accordance with your local environmental regulations.
- * All doors and covers are to be positioned as indicated in the instruction manual before using the machine.
- * Refer to the battery charger OEM product manual for additional specific battery charger warnings.

SAVE THESE INSTRUCTIONS

IMPORTANTES CONSIGNES DE SECURITE

Cette machine ne convient qu'à un usage industriel, par exemple dans les hôtels, les écoles, les hôpitaux, les usines, les boutiques et les bureaux et autres utilisations que le ménage domestique résidentiel.



Lisez toutes les instructions avant l'utilisation.

⚠ ATTENTION!

Pour réduire le risque d'incendie, d'électrocution, ou de blessure:

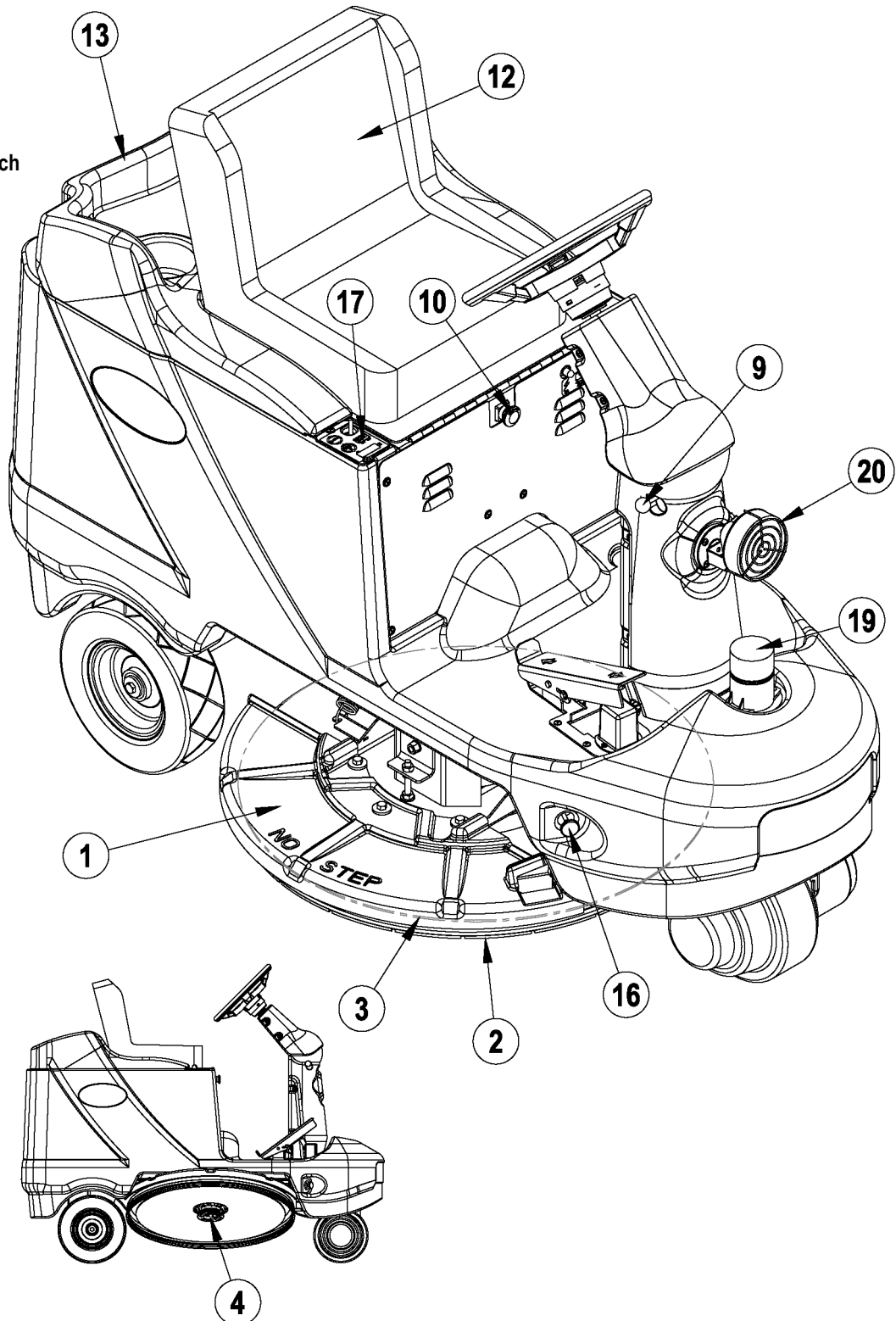
- Ne l'utilisez que comme décrit dans ce manuel. N'utilisez que des attachements recommandés par le fabricant.
- Cette machine ne doit être utilisée que par des personnes proprement formées et autorisées.
- Cette machine n'est destinée qu'à un usage à sec et ne doit pas être utilisée ou emmagasinée à l'extérieur par des temps pluvieux.
- Ne permettez pas que l'on l'utilise comme un jouet. Une attention particulière est nécessaire lorsqu'elle est utilisée par ou près d'enfants.
- Gardez toute étincelle, flamme ou matériaux fumants éloignés des batteries. Des gaz explosifs sont ventilés pendant un fonctionnement normal.
- Charger les batteries produit du gaz hydrogène hautement explosif. Ne chargez les batteries que dans des zones bien aérées, loin de toute flamme. Ne fumez pas lors de la charge des batteries.
- Retirez tout bijou lorsque vous travaillez près des composants électriques.
- Tournez l'interrupteur à clé sur (O) pour l'éteindre et déconnectez les batteries avant l'entretien des composants électriques.
- Ne travaillez jamais sous une machine sans cale de sécurité ou de socles pour supporter la machine.
- Ne répandez pas d'agents nettoyants inflammables, n'utilisez pas la machine sur ou près de ces agents, ou ne l'utilisez pas dans des zones où ces produits existent.
- Ne nettoyez pas cette machine avec un jet à haute pression.
- Cette machine n'est pas destinée à un usage sur les voies publiques.
- Ne mettez aucun objet dans les ouvertures. Ne l'utilisez pas avec une ouverture de bouchée; gardez la à l'abri de la poussière, de la charpie, des cheveux et de tout ce qui pourrait réduire le flux de l'air.
- * N'utilisez pas sur des surfaces dont la pente dépasse celle mentionnée sur la machine.
- Lors de l'utilisation de cette machine, assurez-vous que des tiers, particulièrement des enfants, ne soient pas en danger.
- Avant d'entreprendre toute fonction d'entretien, lisez attentivement toutes les instructions se rapportant à cette fonction.
- Do not leave the machine unattended without first turning the key switch off (O) and removing the key. The parking brake is automatically activated at this time.
- * Positionnez la clé de contact sur off (O) avant de remplacer les brosses ou d'ouvrir tout panneau d'accès.
- Prenez les précautions nécessaires pour éviter que les cheveux, bijoux et vêtements amples ne soient pris dans les parties mobiles.
- Ne l'utilisez pas sans que le sac de poussière et / ou les filtres ne soient en place.
- Ne vous appuyez pas sur la chambre du disque.
- Cette machine n'est pas conçue pour le ramassage de poussière dangereuse à la santé.
- Prenez soin d'enlever les batteries de la machine avant de mettre cette dernière au rebut. Pour ce qui est de l'élimination des batteries, conformez-vous aux réglementations locales en matière d'environnement.
- * Toutes les portes et couvercles doivent être dans la position mentionnée dans le manuel d'instruction avant de mettre la machine en service.
- * Consultez le manuel du fabricant du chargeur de batterie pour plus de consignes de sécurité spécifiques sur le chargeur de batterie.

CONSERVEZ CES INSTRUCTIONS

KNOW YOUR MACHINE

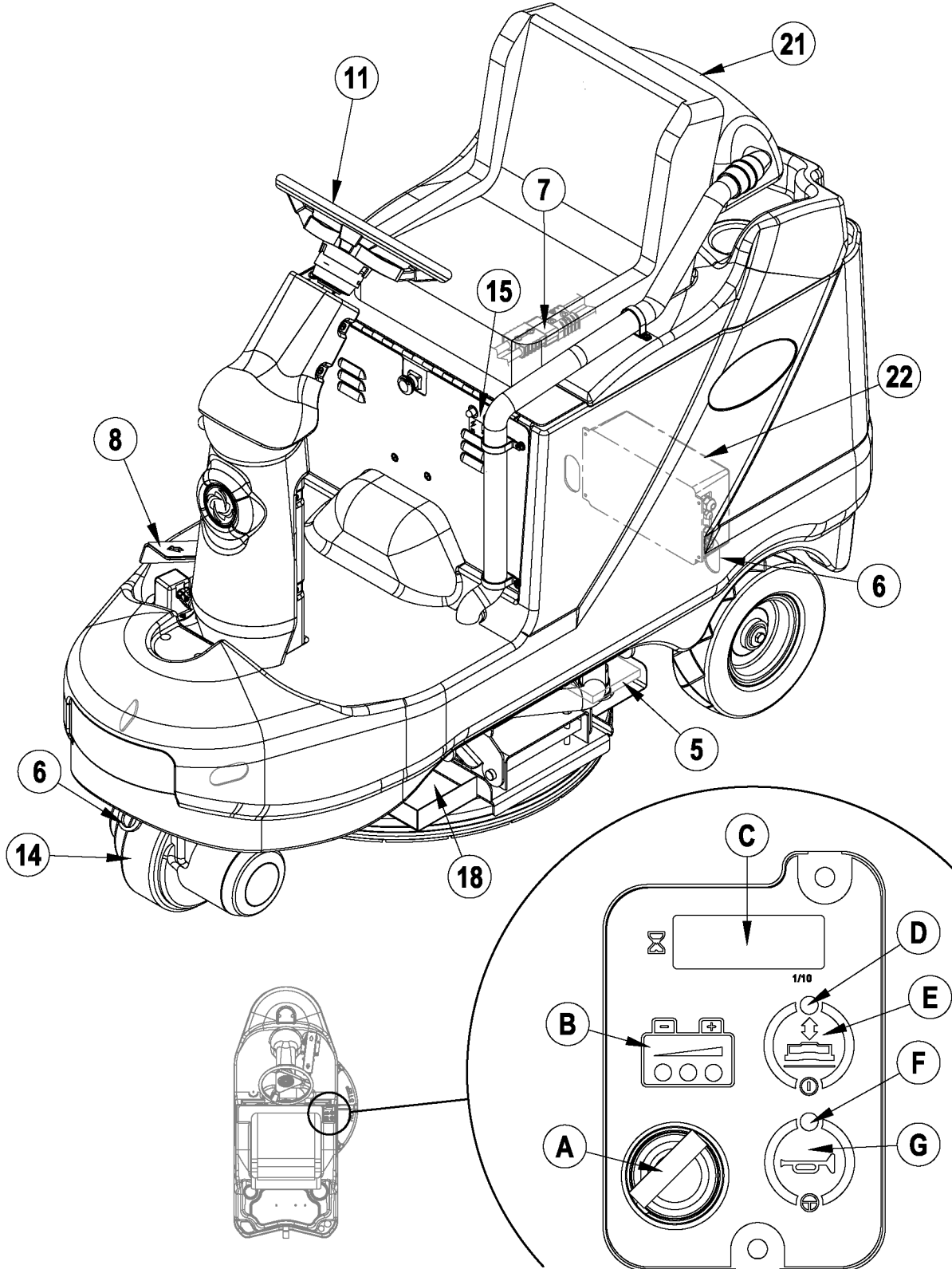
As you read this manual, you will occasionally run across a bold number or letter in parentheses - example: **(2)**. These numbers refer to an item shown on these pages unless otherwise noted. Refer back to these pages whenever necessary to pinpoint the location of an item mentioned in the text. **NOTE:** Refer to the service manual for detailed explanations of each item illustrated on the next 2 pages.

- 1 Pad Drive Deck
- 2 Dust Control Shroud
- 3 Burnishing Pad
- 4 Pad Retainer
- 5 Dust Collection Bag
- 6 Machine Tie Down
- 7 Battery Connector Assembly
- 8 FWD/REV Drive Pedal
- 9 Tilt Steering Wheel Adjuster
- 10 Emergency Power Disconnect
- 11 Steering Wheel
- 12 Operator's Seat W/Safety Switch
- 13 Battery Compartment Cover
- 14 Drive / Steer Wheel
- 15 Circuit Breakers
40 Amp (Wheel Drive)
5 Amp (Control Circuit)
- 16 Deck Latch
- 17 Control Panel
- 18 Spare Dust Bag Storage
- 19 Beacon (Optional)
- 20 Headlight (Optional)
- 21 Active Dust Control (Optional)
- 22 Onboard Charger (Optional)
- 23 Charger Plug



KNOW YOUR MACHINE

- A Master Key Switch
- B Battery Condition Indicator
- C Hour Meter / Error Display
- D Pad Drive Indicator Light
- E Pad Drive Raise / Lower Switch
- F Horn Indicator Light
- G Horn Switch



BATTERIES

If your machine shipped with batteries installed do the following:

- Check that the batteries are connected to the machine (7).
- Turn ON the Key Switch (A) and check the Battery Indicator (B). If the green light is ON, the batteries are ready for use. If the green light is OFF, the batteries should be charged before use. See the "Charging The Batteries" section.

If your machine shipped without batteries installed do the following:

- Consult your Authorized Nilfisk-Advance dealer for recommended batteries.
- Install the batteries by following the instructions below.
- **DO NOT install three 12 volt batteries in your machine. This affects the stability of the machine.**



WARNING!

Use extreme caution when working with batteries. Sulfuric acid in batteries can cause severe injury if allowed to contact the skin or eyes. Explosive hydrogen gas is vented from the batteries through openings in the battery caps. This gas can be ignited by any electrical arc, spark or flame. Do not install any lead-acid battery in a sealed container or enclosure. Hydrogen gas from overcharging must be allowed to escape.

When Servicing Batteries...

- * Remove all jewelry
- * Do not smoke
- * Wear safety glasses, rubber gloves and a rubber apron
- * Work in a well-ventilated area
- * Do not allow tools to touch more than one battery terminal at a time
- * ALWAYS disconnect the negative (ground) cable first when replacing batteries to prevent sparks.
- * ALWAYS connect the negative cable last when installing batteries.

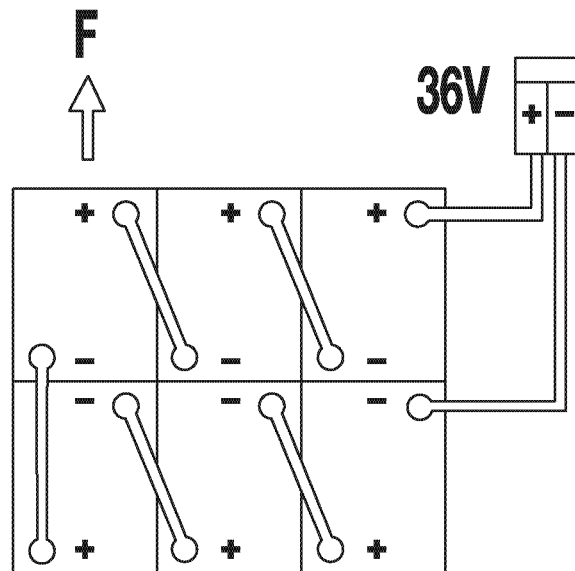


CAUTION!

Electrical components in this machine can be severely damaged if the batteries are not installed and connected properly. Nilfisk-Advance, a qualified electrician, or the battery manufacturer should install batteries.

- 1 Remove the batteries from their shipping crate and carefully inspect them for cracks or other damage. If damage is evident, contact the carrier that delivered them or the battery manufacturer to file a damage claim.
- 2 Turn the Master Key Switch (A) OFF and remove the key.
- 3 Open and prop the Battery Compartment Cover (13). Remove the battery cables from inside the battery compartment.
- 4 Your machine comes from the factory with enough battery cables to install six 6 volt batteries. Carefully lift the batteries into the battery compartment and arrange them exactly as shown in **FIGURE 1**. Secure the batteries as close to the back of the machine as possible.
- 5 Install the battery cables as shown. Position the cables so the battery caps can be easily removed for battery service.
- 6 Carefully tighten the nut in each battery terminal until the terminal will not turn. Do not over-tighten the terminals, or they will be very difficult to remove for future service.
- 7 Coat the terminals with spray-on battery terminal coating (available at most auto parts stores).
- 8 Put one of the black rubber boots over each of the terminals and connect the Battery Connector Assembly (7).

FIGURE 1



395A/H - 20HR - RATE

INSTALLATION OF THE BURNISHING PAD

WARNING!

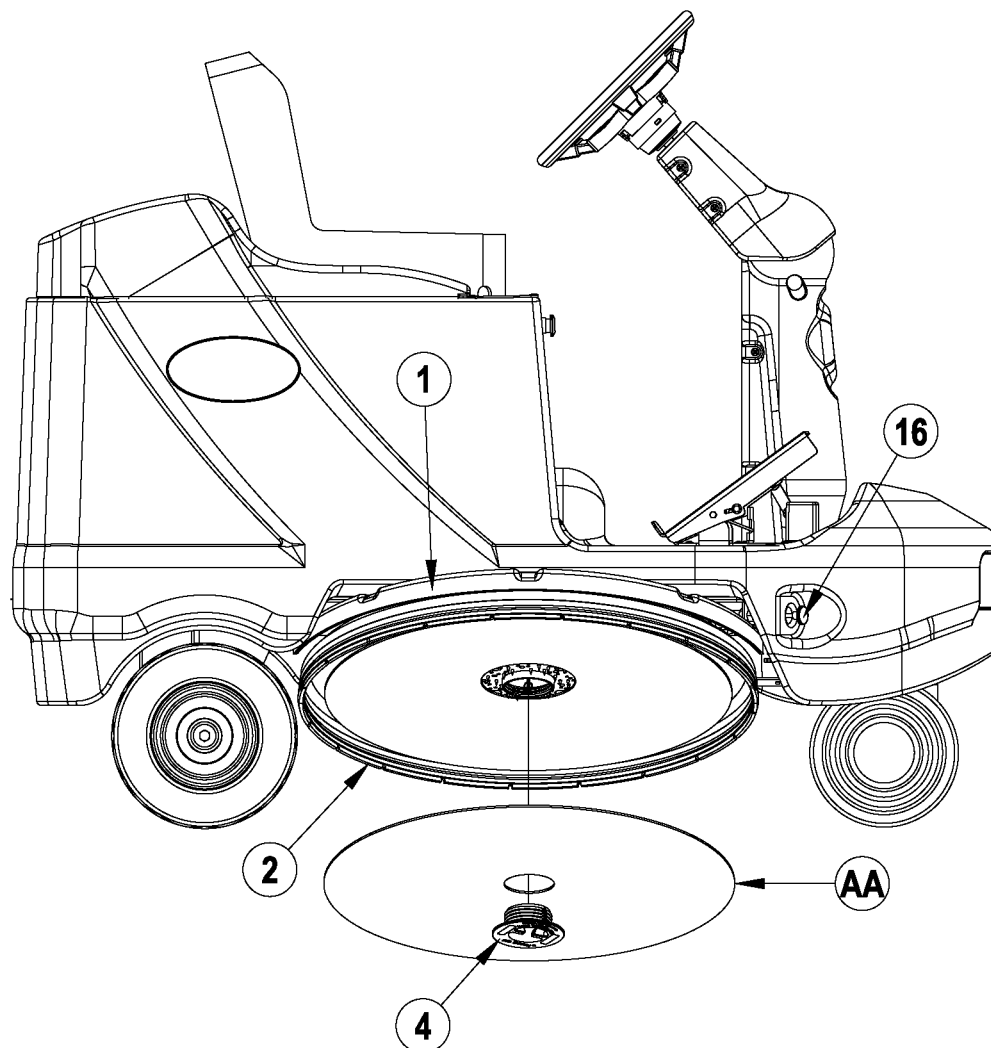
Disconnect the machines Battery Pack Connection (7) by pulling up on the Emergency Power Disconnect (10) handle, when ever servicing the machine.

CAUTION!

Turn the key switch off (O) and remove the key, before changing the brushes, and before opening any access panels.

- 1 **See Figure 2.** Grab hold of the right side of the Pad Drive Deck (1) and lift up until it Latches (16) in place as shown.
- 2 Place your hand underneath the Dust Control Shroud (2) and remove the Pad Retainer (4) from the flexible pad holder assembly. **NOTE:** Grip the retainer firmly and turn clockwise (to the right) as the retainer uses a Left Hand thread.
- 3 Select a 27 inch (68 cm) Dia. Burnishing Pad (AA). See your local Nilfisk-Advance Distributor for a complete selection of pads and accessories.
- 4 Insert the plastic Pad Retainer (4) into the center of the Pad (AA). Then reinstall by turning the retainer counter-clockwise (to the left). **NOTE:** Important !!! Turn the retainer in until you hear a clicking ratchet sound, this insures proper tightening of the pad by properly compressing the pad material and drawing up the retainer so it will not strike the floor.

FIGURE 2



INSTALLATION OF THE DUST COLLECTION BAG

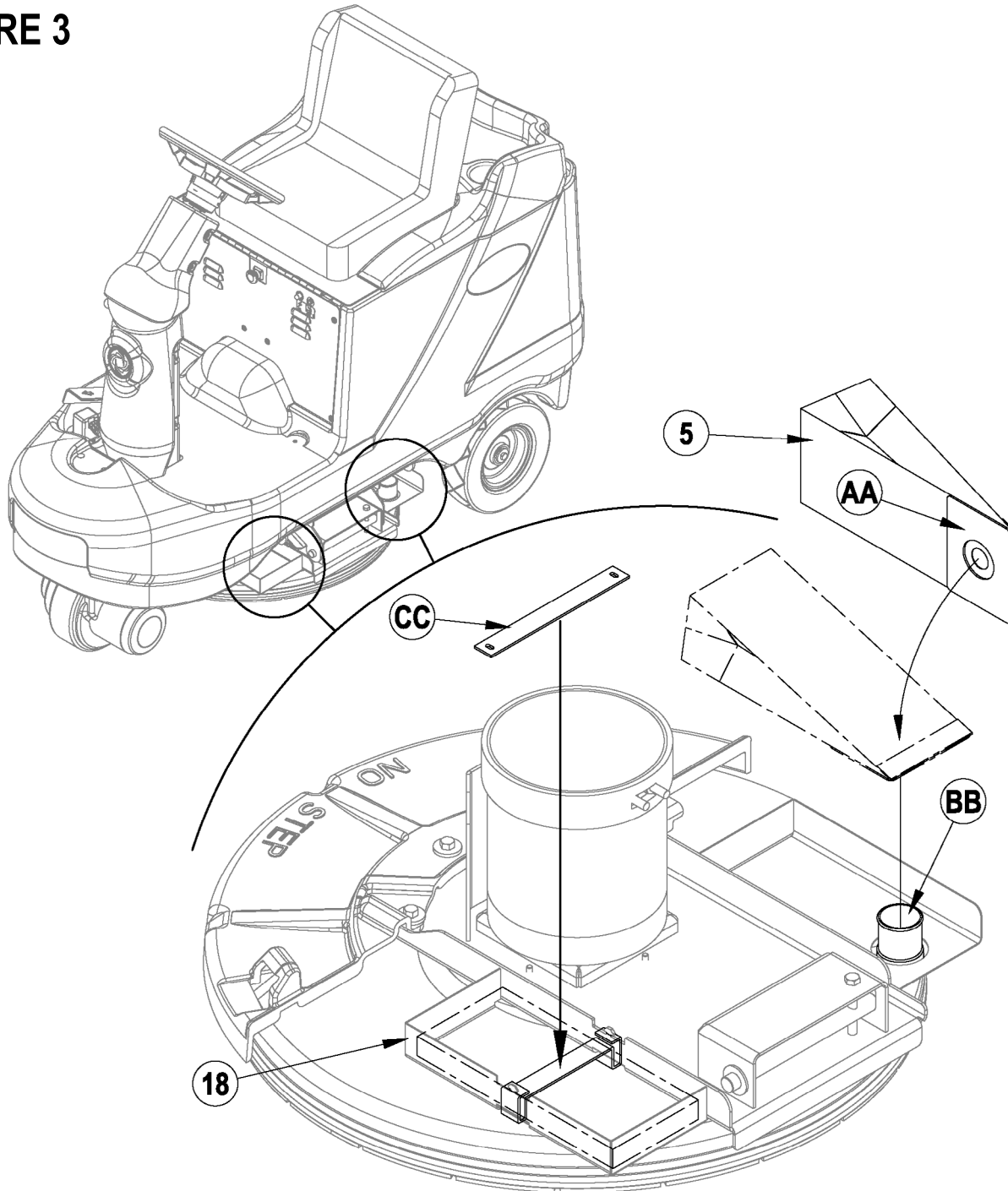
The Advolution™ 2710 / UHR 70-1700 uses dust collection bag **PN 56391185** (sold 6 to a Package).

See Figure 3. Unfold the Dust Collection Bag (5) and while holding onto the Card Board Retainer (AA) insert it over the Collection Tube (BB) found on the top of the Pad Drive Deck (1) on the left side of the machine.

NOTE: Never operate the Advolution™ 2710 / UHR 70-1700 with out a Dust Collection Bag (5) or the **optional** Active Dust Control Kit (21) **PN56422083** installed. Failure to do so will allow the burnishing dust to become airborne. The Active Dust Control Kit (21) is running whenever the Master Key Switch (A) is ON, the Pad Drive Deck (1) is down and the FWD/REV Drive Pedal (8) is off the neutral position.

Extra Dust Collection Bags can be stored in the Spare Dust Bag Storage (18) box as shown. Install the Rubber Strap (CC) as shown to secure the bags.

FIGURE 3



BEFORE EACH USE:

- 1 Be sure you understand the operator controls and their function.
- 2 Turn the Master Key Switch **(A)** ON (I) and check the Battery Condition Indicator **(B)**. If the red light comes on, recharge the battery pack before using the machine
- 3 Check that a new or clean pad has been installed.
- 4 Check that a Dust Collection Bag **(5)** is installed.

PLAN YOUR FLOOR BURNISHING:

- 1 Pre-sweep or scrub floor area of debris to prevent scratching and poor burnishing performance.
- 2 Arrange long runs with a minimum of stopping or starting.
- 3 Avoid bumping into posts or scraping the side of the machine.

OPERATING THE MACHINE

NOTE: Bold numbers or letters in parentheses indicate an item shown on pages A-6 – A-7.

Follow the instructions in *PREPARING THE MACHINE FOR USE* and the *BEFORE EACH USE* section of the manual.

- 1 While seated on the machine adjust the Steering Wheel **(11)** using the Tilt Steering Wheel Adjuster **(9)**, to a comfortable operating position.
- 2 Turn the Master Key Switch **(A)** ON (I). This will display the Battery Condition Indicator Light(s) **(B)** and Hour Meter / Error Display **(C)**.
- 3 To transport the machine to the work area, apply even pressure on the front of the FWD/REV Drive Pedal **(8)** to go Forward or the rear of the pedal for Reverse. **NOTE:** The front drive wheel has a built in electromagnetic brake that engages whenever the FWD/REV Drive Pedal **(8)** is in the neutral position or when the Master Key Switch **(A)** is turned OFF. See the *ELECTROMAGNETIC BRAKE* section for manual override instructions.
- 4 Once at the work area, the pad pressure can be adjusted by turning the Master Key Switch **(A)** off. Hold down the Pad Drive Raise / Lower Switch **(E)** while turning on the Master Key Switch **(A)**. The word "Adjust" will scroll on the Display **(C)** and the Pad Drive Raise/Lower Switch can be released. Once released, the display will read either "1", "2", or "3". These are the pad pressure settings with "3" being the highest pad pressure setting. To change pad pressure, press the Pad Drive Raise / Lower Switch **(E)** to increment between 1, 2, and 3. Once you have selected the setting that you want to burnish with turn the Master Key Switch **(A)** off to store the setting in the memory. This setting will remain in the control panel's memory until it is changed again using the above procedure.
- 5 When at the work area press the machine's FWD/REV Drive Pedal **(8)** to move the machine in either FWD or REV drive. The machine should always be moving before lowering the Pad Drive Deck **(1)**.
- 6 Once the machine is moving, lower the Pad Drive Deck **(1)** by pressing the Pad Drive Raise / Lower Switch **(E)**. The Pad Drive Indicator Light **(D)** on the control panel will light yellow when going down and then turns green to confirm the lowered position and the pad begins to turn. To raise the Pad Drive Deck **(1)** press the Pad Drive Raise / Lower Switch **(E)**. The Pad Drive Indicator Light **(D)** will be red when coming up and then turns OFF to confirm the raised position. **NOTE:** When the operator's foot is removed from the Drive Pedal, the pedal automatically returns to neutral and the pad motor will shut off after about 1 second (the Pad Drive Indicator Light **(D)** will light yellow). Raise the Pad Drive Deck before stopping the machine. The floor may be damaged if the machine is stopped with the pad down and running.
- 7 Begin burnishing making long straight line passes, overlap each pass 2-3 inches (5-7 cm). Adjust your machine speed according to the condition of the floor (if the floor is heavily scuffed, drive at a slower rate to ensure proper burnishing). The Active Dust Control Kit **(21)** if installed will be running whenever the Master Key Switch **(A)** is ON, the Pad Drive Deck **(1)** is down and the FWD/REV Drive Pedal **(8)** is off the neutral position.

**CAUTION!**

The floor may be damaged if travel of the machine is stopped with the pad down and running.

- 8 It may become necessary when burnishing to stop the machine, raise the pad and check to see if the pad is loaded up with floor finish and dirt. If it is, turn the pad over to expose the clean side, or install a clean pad.

IMPORTANT NOTE: In the event a fast emergency shutdown of the unit is required push the Emergency Power Disconnect **(10)**.

AFTER USE

- 1 Raise the Pad Drive Deck (1), then drive the machine to a service area.
- 2 Turn the Master Key Switch (A) OFF (O) and remove the key.
- 3 Remove the burnishing pad, rinse the pad with warm water and hang it up to dry. **NOTE:** Allow pad to dry completely before using again.
- 4 Check the Dust Collection Bag (5) if over half full or damaged remove and replace with a new bag.
- 5 Check the maintenance schedule and perform any required maintenance.
- 6 Wipe the machine with a damp cloth, then store the machine in a clean, dry place.

MAINTENANCE SCHEDULE

MAINTENANCE ITEM	Daily	Weekly	Monthly	Yearly
Charge Batteries	X			
Check/Clean/Replace Burnishing Pad	X			
Check/Replace Dust Collection Bag	X			
Check Battery Water Level(s)		X		
Check/Replace Pad Shroud Skirt		X		
Steering Chain Tension			X	
Lubrication			X	
Check Carbon Brush Wear On Pad/Wheel Drive/ Actuator Motors				X

NOTE: Refer to the Service Manual for more detail on all maintenance items mentioned in this manual.

LUBRICATING THE MACHINE

Locations requiring periodic oiling are:

Qty 1 - Steering Wheel Shaft Universal Joint (oil hole or port)

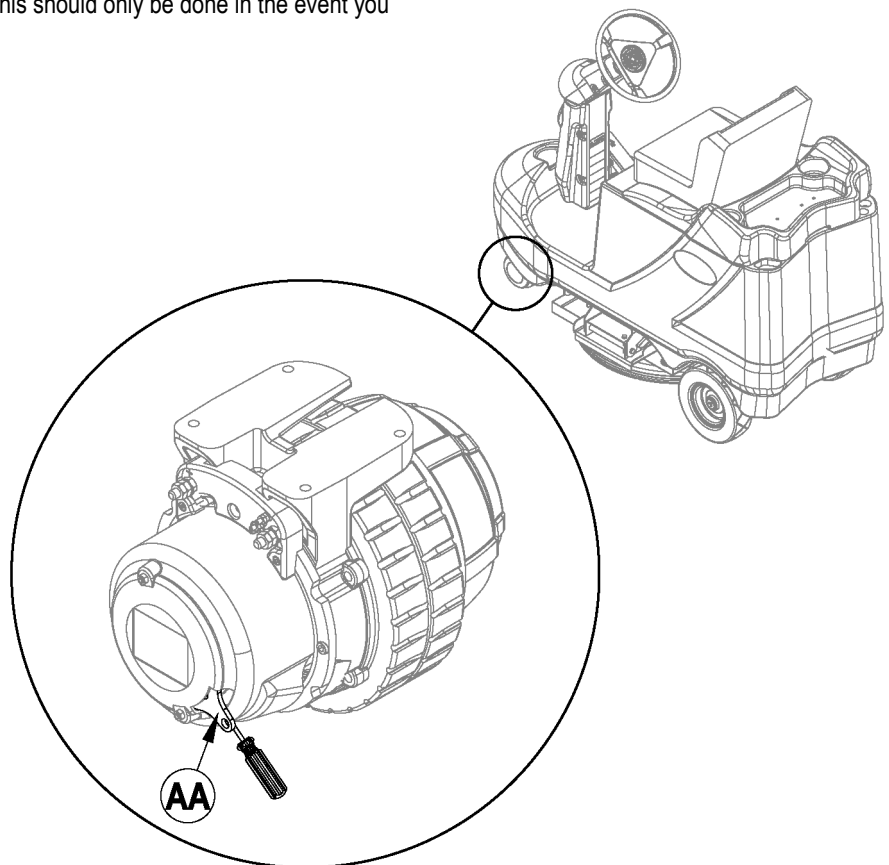
STEERING CHAIN TENSION

Inspect once a month and make adjustments if needed (refer to the service manual for detailed instructions).

ELECTROMAGNETIC BRAKE

See Figure 4. The Drive / Steer Wheel Assembly (14) has a built in electromagnetic brake that is engaged whenever the Master Key Switch (A) is OFF or the FWD / REV Drive Pedal (8) is in the neutral position. This brake can be manually over ridden if necessary by inserting a medium to large screwdriver behind the Yoke (AA) as shown. This should only be done in the event you need to push or pull the unit.

FIGURE 4



CHARGING THE BATTERIES

Charge the batteries each time the machine is used for 1 hour or longer, or whenever the Battery Condition Indicator Lights (B) light up red.

To Charge the Batteries...

- 1 **IMPORTANT!:** Open the Battery Compartment Cover (13) to provide proper ventilation.
- 2 Disconnect the Battery Connector Assembly (7) and plug the battery charger into the plug connected to the batteries.
- 4 Follow the instructions on the battery charger.
- 5 Check the fluid level in all battery cells after charging the batteries. Add distilled water, if necessary, to bring the fluid level up to the bottom of the filler tubes.

WARNING!

Do not fill the batteries before charging.

Charge batteries in a well-ventilated area.

Do not smoke while servicing the batteries.

When Servicing Batteries...

- * Remove all jewelry
- * Do not smoke
- * Wear safety glasses, rubber gloves and a rubber apron
- * Work in a well-ventilated area
- * Do not allow tools to touch more than one battery terminal at a time
- * ALWAYS disconnect the negative (ground) cable first when replacing batteries to prevent sparks.
- * ALWAYS connect the negative cable last when installing batteries.

CAUTION!

To avoid damage to floor surfaces, wipe water and acid from the top of the batteries after charging.

CHECKING THE BATTERY WATER LEVEL

Check the water level of the batteries at least once a week.

After charging the batteries, remove the vent caps and check the water level in each battery cell. Use distilled or demineralized water in a battery filling dispenser (available at most auto parts stores) to fill each cell to the level indicator (or to 10 mm over the top of the separators). DO NOT over-fill the batteries!

CAUTION!

Acid can spill onto the floor if the batteries are overfilled.

Tighten the vent caps. Wash the tops of the batteries with a solution of baking soda and water (2 tablespoons of baking soda to 1 liter of water).

Service Note: There is a drain plug in the bottom of the battery compartment.

A-14 / ENGLISH

GENERAL MACHINE TROUBLESHOOTING

OPERATOR DISPLAY PANEL STATUS LIGHTS:

Hour Meter / Error Display (C): If an error code is displayed on the Hour Meter / Error Display **(C)** a system error has occurred, the error display will read "Err" followed by a two digit code(s). Reference the Service Manual for fault code descriptions and corrective action.

SWIRL MARKS

- Floor not clean.
- Area not properly swept - debris in pad or brush.
- Improper pad for the job.
- Moving the machine too fast.

CIRCLES ON THE FLOOR

- Machine standing still while the pad is running.

FLOOR FINISH REMOVED

- Improper pad...too aggressive.
- Moving the machine too slowly.

MACHINE WOBBLER DURING OPERATION

- Defective pad... one side is more dense than the other.
- Pad not "seated" properly into pad holder bristles.
- Padholder out of balance - replace.

MACHINE DOES NOT RUN

- Check Emergency Power Disconnect **(10)**
- Check operator seat safety switch **(12)**
- Check for error fault codes in both the main and speed controllers **(see service manual)**
- Foot Pedal Fault: Caused by the operator activating the FWD / REV Drive Pedal **(8)** before turning on the Master Key Switch **(A)**. To Clear: Turn the key switch off, wait until display is off, then turn key switch back on.

TECHNICAL SPECIFICATIONS (as installed and tested on the unit)

Model		Advolution™ 2710	UHR 70-1700
Model No.		56422000 / 56422002	56422001
Voltage, Batteries	V	36V	36V
Battery Capacity	Ah	395	395
Protection Grade		IPX3	IPX3
Sound Pressure Level (IEC 60704-1)	dB(A)/20μPa	69	69
Gross Weight	lbs. / kg	1,379 / 625	1,379 / 625
Vibrations at the Hand Controls (ISO 5349-1)	m/s ²	1.27 m/s ²	1.27 m/s ²
Vibrations at the Seat (EN 1032)	m/s ²	0.19 m/s ²	0.19 m/s ²
Gradeability			
Transport		12.3% (7°)	12.3% (7°)
Cleaning		12.3% (7°)	12.3% (7°)

ÍNDICE

	Página
Introducción	B-2
Componentes y servicio	B-2
Placa de identificación	B-2
Desembalaje de la máquina	B-2
Instrucciones importantes de seguridad	B-3
Conozca su máquina	B-4 – B-5
Preparación de la máquina para su utilización	
Baterías	B-6
Instalación del disco de pulido	B-7
Instalación de la bolsa de recogida de polvo	B-8
Manejo de la máquina	
Antes de cada utilización	B-9
Planifique el pulido del suelo	B-9
Manejo de la máquina	B-9
Mantenimiento	
Después de la utilización	B-10
Programa de mantenimiento	B-10
Lubricación de la máquina	B-10
Tensión de la cadena de dirección	B-10
Freno electromagnético	B-10
Recarga de las baterías	B-11
Solución de problemas generales de la máquina	
Pantalla de error	B-12
Marcas de giro	B-12
Círculos en el suelo	B-12
Desaparición del acabado del suelo	B-12
Oscilación de la máquina durante su utilización	B-12
La máquina no funciona	B-12
Especificaciones técnicas	B-13

INTRODUCCIÓN

Este manual le ayudará a obtener el máximo rendimiento de su **Nilfisk-Advance Advolution™ 2710 / UHR 70-1700**. Léalo por completo antes de utilizar la máquina.

Nota: Los números que aparecen en **negrita entre paréntesis** indican elementos ilustrados en las páginas **B-4 – B-5**.

Este producto está destinado exclusivamente a uso comercial.

COMPONENTES Y SERVICIO

Las reparaciones, en caso necesario, deben ser realizadas por el personal de servicio de Nilfisk-Advance con los repuestos y accesorios originales de Nilfisk-Advance.

Llame a Nilfisk-Advance para lo referente a piezas de repuesto y servicio. Por favor, especifique el Modelo y Número de Serie cuando hable de su máquina.

PLACA DE IDENTIFICACIÓN

El Modelo y Número de Serie de la máquina se indican en la placa de identificación instalada en ella. Esta información es necesaria a la hora de solicitar repuestos para la máquina. Utilice el siguiente espacio para anotar el Modelo y el Número de Serie de su máquina para futuras consultas.

MODELO _____

NÚMERO DE SERIE _____

DESEMBALAJE DE LA MÁQUINA

Cuando reciba la máquina, examine con atención la caja del embalaje y la máquina, con el fin de comprobar si existe algún daño. Si observa algún daño, guarde la caja de embalaje (si procede) para que se pueda inspeccionar. Póngase en contacto inmediatamente con el Departamento de Servicio al Cliente de Nilfisk-Advance para presentar una reclamación por daños en transporte. Consulte la hoja de instrucciones de desembalaje incluida con la máquina para sacar la máquina del palet.

INSTRUCCIONES IMPORTANTES DE SEGURIDAD

Esta máquina es apta únicamente para su uso comercial, por ejemplo, en hoteles, colegios, hospitales, fábricas, tiendas y oficinas, y no para la limpieza diaria del hogar.



Lea todas y cada una de las instrucciones antes de utilizar el aparato.

¡ADVERTENCIA!

Con el fin de reducir el peligro de incendio, descarga eléctrica o lesión:

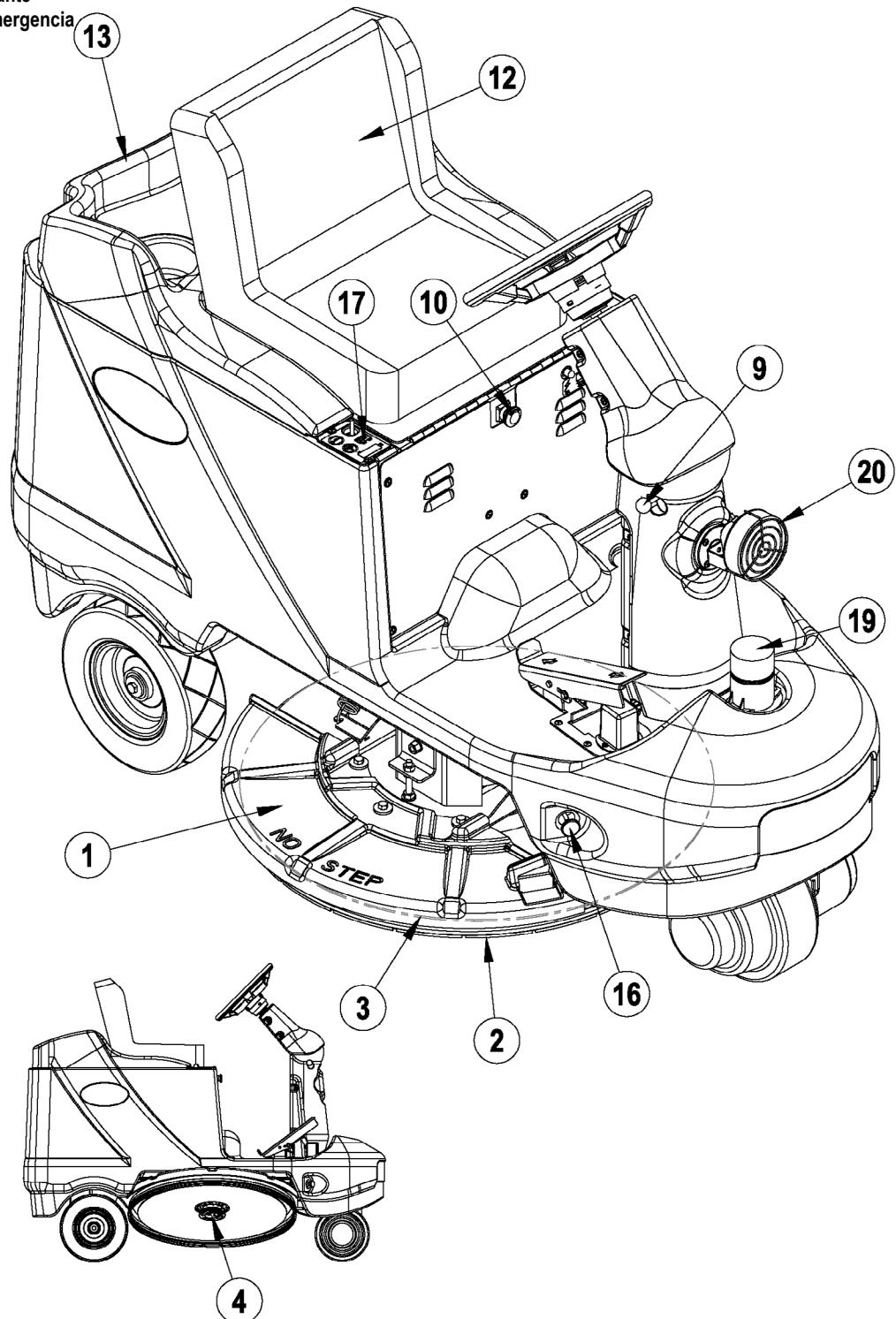
- Utilícelo sólo de la manera descrita en este manual. Utilice sólo los accesorios recomendados por el fabricante.
- Sólo deben utilizar esta máquina las personas autorizadas y con la formación adecuada.
- Esta máquina ha sido diseñada sólo para uso en seco y no debe usarse o guardarse en el exterior en lugares húmedos.
- No permita que se utilice como juguete. Es necesario prestar mucha atención cuando se usa cerca de niños o cuando lo utilizan éstos.
- Mantenga las chispas, llamas y materiales de fumadores alejados de las baterías. Durante el funcionamiento normal se desprenden gases explosivos.
- Al recargar las baterías se produce gas de hidrógeno altamente explosivo. Recargue las baterías exclusivamente en zonas bien ventiladas, lejos de llamas sin proteger. No fume mientras recarga las baterías.
- Qítense todas las joyas cuando trabaje cerca de componentes eléctricos.
- Ponga el conmutador en posición de apagado (O) y desconecte las baterías antes de revisar los componentes eléctricos.
- No trabaje nunca debajo de la máquina sin colocar antes bloques o soportes de seguridad en los que apoyar la máquina.
- No aplique sustancias limpiadoras inflamables ni utilice la máquina sobre estas sustancias, cerca de ellas, ni en zonas en las que haya líquidos inflamables.
- No lave la máquina con una limpiadora a presión.
- Esta máquina no ha sido aprobada para su uso en vías públicas.
- No coloque ningún objeto en las aberturas. No utilice el aparato con las aberturas obstruidas; manténgalas libres de polvo, hilos, pelo o cualquier otra sustancia que pueda impedir la circulación del aire.
- * No utilice la máquina en superficies con pendientes superiores a las indicadas en la máquina.
- Cuando utilice la máquina, asegúrese de que no existe peligro para terceras personas, especialmente niños.
- Antes de proceder a cualquier función de servicio, lea con atención todas las instrucciones relativas a dicha función.
- No deje la máquina sin vigilancia sin antes haber puesto el conmutador en posición de apagado (O) y haber quitado la llave. El freno de estacionamiento se activa automáticamente en este momento.
- * Apague el conmutador de llave (O) y quite la llave antes de cambiar los cepillos y antes de abrir cualquiera de los paneles de acceso.
- Tome las debidas precauciones para evitar que el pelo, las joyas o las prendas sueltas queden atrapados entre los componentes móviles.
- No utilizar si la bolsa para el polvo y/o los filtros no están en su sitio.
- No pise el alojamiento del disco.
- Esta máquina no es apta para la recogida de polvo peligroso para la salud.
- Retire las baterías de la máquina antes de su desguace. Las baterías deben desecharse de forma segura, de acuerdo con la reglamentación medioambiental local.
- * Antes de utilizar la máquina, todas las puertas y cubiertas deberían estar colocadas como se indica en el manual de instrucciones.
- * Consulte el manual del producto OEM del cargador de batería para obtener advertencias adicionales sobre el cargador de batería específico.

GUARDE ESTAS INSTRUCCIONES

CONOZCA SU MÁQUINA

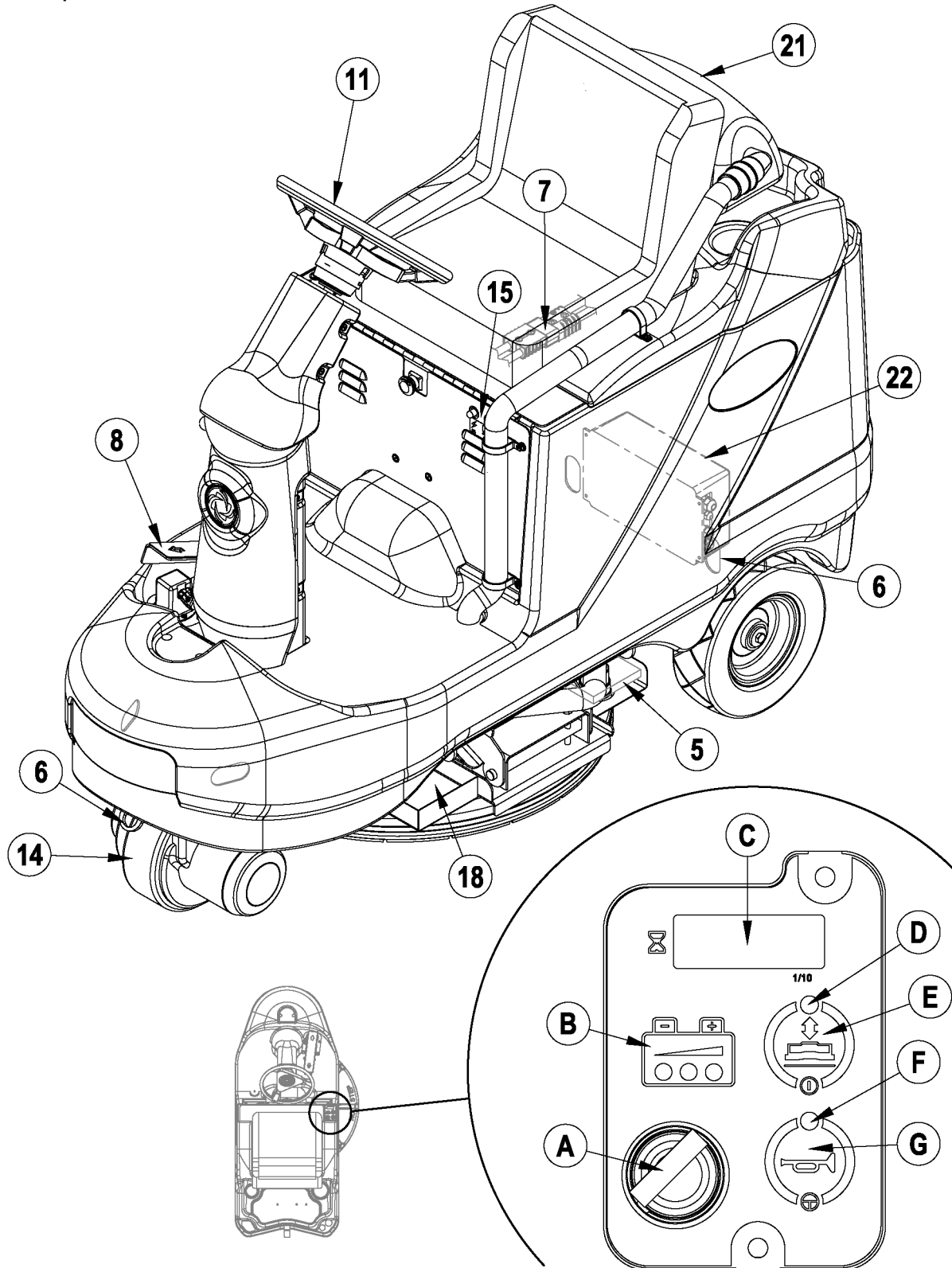
A lo largo de este manual encontrará números o letras en negrita entre paréntesis – por ejemplo: **(2)**. Estos números se refieren a un objeto que se muestra en dicha página, a menos que se indique lo contrario. Consulte estas páginas siempre que lo necesite para localizar los elementos citados en el texto. **NOTA:** Consulte el manual de servicio para obtener explicaciones más detalladas de cada objeto ilustrado en las siguientes 2 páginas.

- 1 Platina del motor del disco
- 2 Mortaja de control de polvo
- 3 Disco de pulido
- 4 Sujeción del disco
- 5 Bolsa de recogida de polvo
- 6 Sujeción de la máquina
- 7 Conjunto conector de las baterías
- 8 Pedal de tracción hacia delante/hacia atrás
- 9 Botón de ajuste de inclinación del volante
- 10 Desconexión de la alimentación de emergencia
- 11 Volante
- 12 Asiento del operador con conmutador de seguridad
- 13 Cubierta de compartimento de las baterías
- 14 Volante de tracción / dirección
- 15 Disyuntores de circuito
40 Amp (motor de la tracción de rueda)
5 Amp (circuito de control)
- 16 Pestillo de la plataforma
- 17 Panel de control
- 18 Almacenamiento de bolsas de polvo de repuesto
- 19 Baliza (opcional)
- 20 Luz delantera (opcional)
- 21 Control de polvo activo (opcional)
- 22 Cargador a bordo (opcional)
- 23 Enchufe del cargador



CONOZCA SU MÁQUINA

- A Conmutador de llave principal
- B Indicador de situación de las baterías
- C Pantalla de cronómetro / error
- D Luz indicadora de motor del disco
- E Interruptor de elevación / descenso del motor del disco
- F Luz indicadora de claxon
- G Interruptor de claxon



BATERÍAS

Si su máquina se entrega con baterías instaladas, realice lo siguiente:

- Compruebe que las baterías estén conectadas a la máquina (7).
- Encienda el conmutador de llave (A) y compruebe el indicador de batería (B). Si la luz verde está encendida, las baterías están listas para el uso. Si la luz verde está apagada, las baterías deberían cargarse antes de la utilización. Consulte la sección "Recarga de las baterías".

Si su máquina se entrega sin baterías instaladas, realice lo siguiente:

- Consulte con su distribuidor autorizado Nilfisk-Advance en cuanto a las baterías recomendadas.
- Instale las baterías siguiendo las instrucciones indicadas a continuación.
- **NO instale 3 baterías de 12 voltios en su máquina. Esto afectará a la estabilidad de la máquina.**

⚠ ¡ADVERTENCIA!

Tome las máximas precauciones cuando trabaje con las baterías. El ácido sulfúrico de las baterías puede causar daños graves si entra en contacto con la piel o con los ojos. Desde el interior de las baterías se libera gas explosivo de hidrógeno a través de unas aperturas en las tapas de las baterías. Este gas puede incendiarse con cualquier arco eléctrico, chispa o llama. No instale baterías de plomo-ácido en un contenedor cerrado. El gas de hidrógeno debido a la sobrecarga debe poder liberarse.

Cuando revise las baterías...

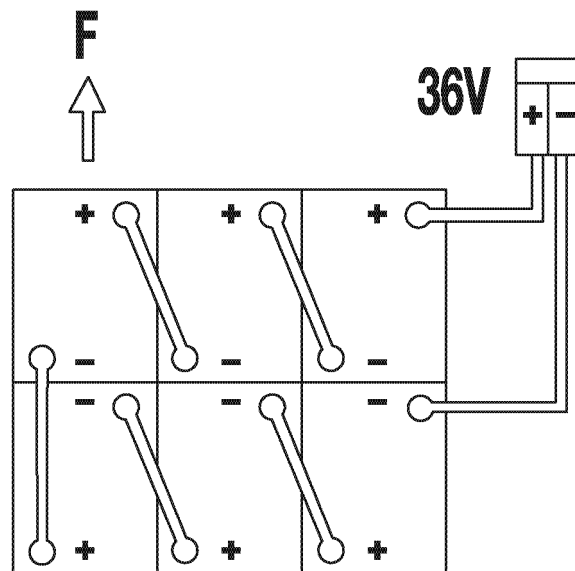
- * Qítense todas las joyas
- * No fume
- * Lleve gafas de seguridad, un delantal de goma y guantes de goma
- * Trabaje en una zona bien ventilada
- * No permita que las herramientas toquen simultáneamente más de un terminal de batería
- * Al sustituir las baterías, desconecte SIEMPRE en primer lugar el cable (de tierra) negativo para evitar chispas.
- * Al instalar las baterías, conecte SIEMPRE el cable negativo al final.

⚠ ¡PRECAUCIÓN!

Los componentes eléctricos de esta máquina pueden dañarse seriamente si las baterías no están instaladas o conectadas correctamente. Las baterías deben ser instaladas por Nilfisk-Advance, un electricista cualificado o el fabricante de las baterías.

- 1 Retire las baterías de su caja de embalaje e inspecciónelas para ver si existen grietas u otros daños. Si los daños son evidentes, póngase en contacto inmediatamente con el transportista que se las entregó para presentar una reclamación por daños en transporte.
- 2 Apague el conmutador principal de llave (A) y quite la llave.
- 3 Abra y sostenga la tapa del compartimento de baterías (13). Retire los cables de la batería del interior del compartimento de las baterías.
- 4 Su máquina viene de fábrica con suficientes cables para instalar 6 baterías de 6 voltios. Levante las baterías con cuidado para meterlas en el compartimento de las baterías y colóquelas exactamente como se muestra en la FIGURA 1. Ponga las baterías tan cerca de la parte trasera de la máquina como pueda.
- 5 Instale los cables de las baterías como se muestra. Ponga los cables de forma que las cubiertas de las baterías puedan retirarse fácilmente para el mantenimiento de las baterías.
- 6 Apriete con cuidado las tuercas de los terminales de las baterías hasta que el terminal no gire. No apriete demasiado los terminales; de lo contrario será muy difícil retirarlos en futuras operaciones de mantenimiento.
- 7 Bañe los terminales con revestimiento para terminales de baterías en pulverizador (disponible en la mayoría de las tiendas de material para coches).
- 8 Ponga un manguito de goma negro encima de cada terminal y conecte el conjunto conector de las baterías (7).

FIGURA 1



395A/H - 20HR - RATE

INSTALACIÓN DEL DISCO DE PULIDO

¡ADVERTENCIA!

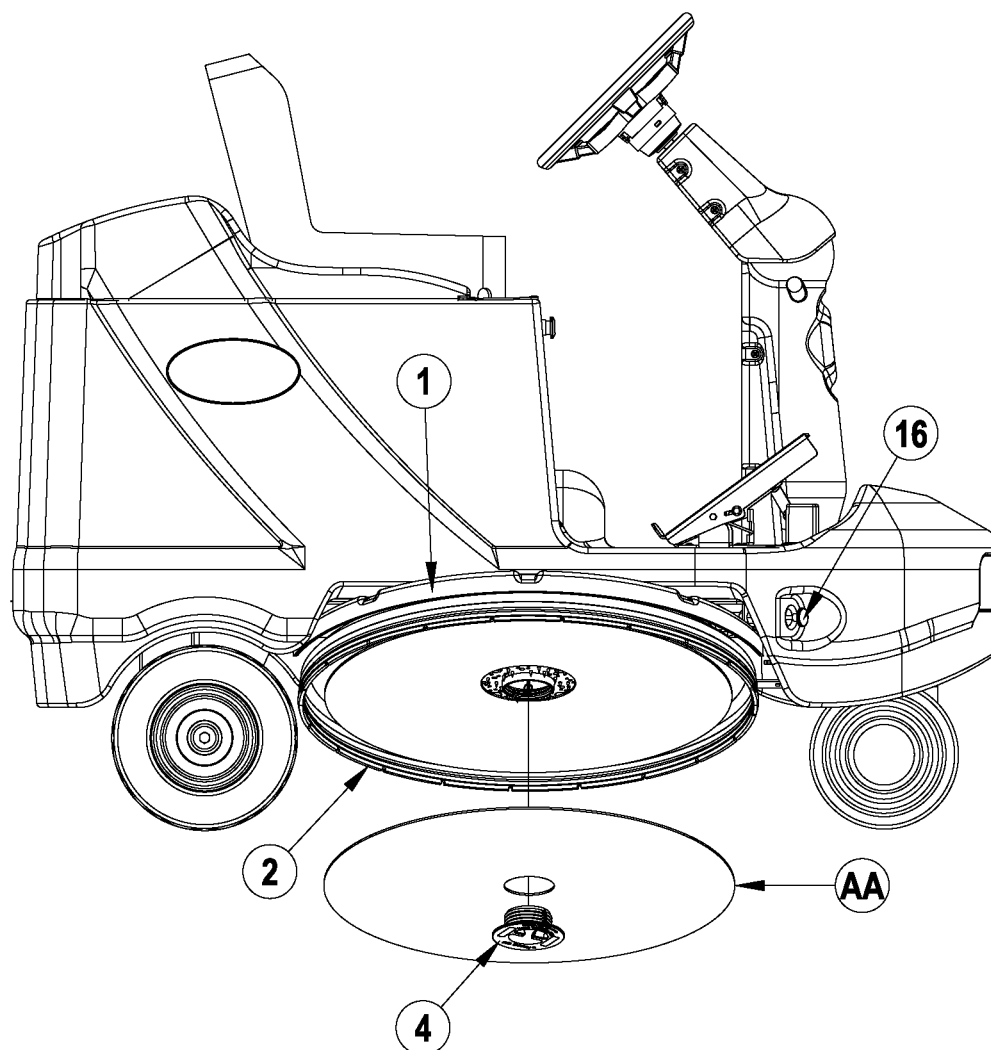
Desconecte la conexión del conjunto de baterías (7) tirando del asa de desconexión de la alimentación de emergencia (10) siempre que repare la máquina.

¡PRECAUCIÓN!

Apague el conmutador de llave (O) y quite la llave antes de cambiar los cepillos y antes de abrir cualquiera de los paneles de acceso.

- 1 **Ver la Figura 2.** Agarre el extremo derecho de la platina del motor del disco (1) y levántelo hasta que se cierre (16) en su sitio como se muestra.
- 2 Coloque la mano por debajo de la mortaja de control de polvo (2) y retire la sujeción del disco (4) del conjunto portadiscos flexible. **NOTA:** Agarre la sujeción firmemente y gire en el sentido de las agujas del reloj (hacia la derecha) dado que la sujeción utiliza una rosca izquierda.
- 3 Seleccione un disco de pulido (AA) de 27 pulgadas (68 cm) de diámetro. Consulte con su distribuidor local Nilfisk-Advance en cuanto a una selección completa de discos y accesorios.
- 4 Inserte la sujeción de disco de plástico (4) en el centro del disco (AA). A continuación, vuelva a instalar girando la sujeción en el sentido contrario al de las agujas del reloj (hacia la izquierda). **NOTA:** ¡Importante! Gire la sujeción hasta que escuche un sonido de trinquete; esto asegura un apriete correcto del disco comprimiendo adecuadamente el material del disco y levantando la sujeción de modo que no golpee con el suelo.

FIGURA 2



INSTALACIÓN DE LA BOLSA DE RECOGIDA DE POLVO

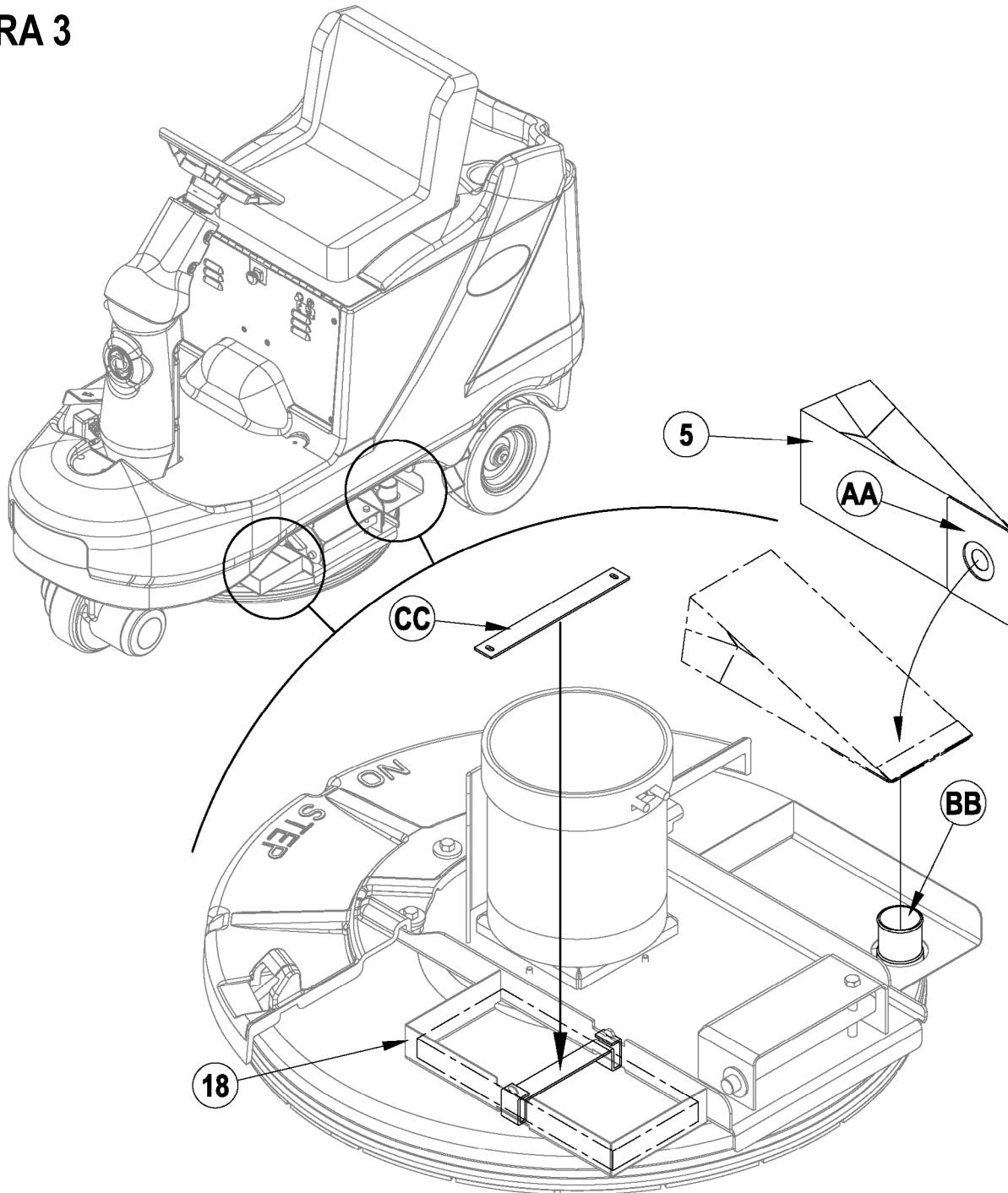
Advolution™ 2710 / UHR 70-1700 utiliza una bolsa de recogida de polvo **PN 56391185** (se venden 6 por paquete).

Ver la Figura 3. Desdoble la bolsa de recogida de polvo **(5)** y, sujetándola por la placa de sujeción **(AA)**, insértela en el tubo de recogida **(BB)** situado en la parte superior de la platina del motor del disco **(1)** en el lado izquierdo de la máquina.

NOTA: No utilice nunca Advolution™ 2710 / UHR 70-1700 sin una bolsa de recogida de polvo **(5)** o el kit de control de polvo activo **opcional (21) PN56422083** instalado. De lo contrario, el polvo de pulido quedaría suspendido en el aire. El kit de control de polvo activo **(21)** está funcionando siempre que el conmutador de llave principal **(A)** esté encendido, la platina del motor del disco **(1)** esté bajada y el pedal de tracción hacia delante / hacia atrás **(8)** no esté en la posición neutra.

Pueden guardarse bolsas de recogida de polvo adicionales en la caja de almacenamiento de bolsas de polvo de repuesto **(18)** como se muestra. Instale la tira de goma **(CC)** como se muestra para fijar las bolsas.

FIGURA 3



ANTES DE CADA UTILIZACIÓN:

- 1 Asegúrese de que comprende los controles del operador y sus funciones.
- 2 Encienda el conmutador de llave principal (A) y compruebe el indicador de la situación de las baterías (B). Si la luz roja se enciende, recargue el conjunto de las baterías antes de utilizar la máquina
- 3 Compruebe que se haya instalado un disco nuevo o limpio.
- 4 Compruebe que se haya instalado una bolsa de recogida de polvo (5).

PLANIFIQUE EL PULIDO DEL SUELO:

- 1 Elimine, mediante barrido previo o fregado, la suciedad de la zona del suelo para evitar arañazos o un rendimiento insuficiente del pulido.
- 2 Utilice la máquina en tramos largos, manteniendo al mínimo el número de detenciones y puestas en marcha.
- 3 Evite chocar contra postes o arañar los laterales de la máquina.

MANEJO DE LA MÁQUINA

NOTA: Los números o letras que aparecen en **negrita** entre paréntesis indican elementos ilustrados en las páginas B-4 – B-5

Siga las instrucciones en las secciones *PREPARACIÓN DE LA MÁQUINA PARA SU USO* y *ANTES DE CADA UTILIZACIÓN* del manual.

- 1 Sentado en la máquina, coloque el volante (11), utilizando el botón de ajuste de inclinación del volante (9), en una posición de funcionamiento cómoda.
- 2 Encienda (I) el conmutador principal de llave (A). Se encenderán las luces indicadoras de la situación de las baterías (B) y la pantalla de cronómetro / error (C).
- 3 Para llevar la máquina a la zona de trabajo, aplique una presión uniforme en la parte de delante del pedal de tracción marcha adelante / marcha atrás (8) para ir hacia delante o en la parte de atrás para ir hacia atrás. **NOTA:** La rueda impulsora delantera tiene un freno electromagnético integrado que se acciona cuando el pedal de tracción hacia delante / hacia atrás (8) está en la posición neutra o cuando el conmutador de llave principal (A) está apagado. Consulte la sección *FRENO ELECTROMAGNÉTICO* para las instrucciones de desactivado manual.
- 4 Una vez en la zona de trabajo, la presión del disco puede ajustarse apagando el conmutador de llave principal (A). Mantenga hacia abajo el interruptor de elevación / descenso del motor del disco (E) a la vez que enciende el conmutador de llave principal (A). La palabra "Adjust" (Ajustar) se desplazará en la pantalla (C) y el interruptor de elevación / descenso del motor puede soltarse. Una vez soltado, la pantalla mostrará "1", "2" ó "3". Son los ajustes de la presión del disco, donde "3" es el ajuste de presión de disco más alto. Para cambiar la presión del disco, pulse el interruptor de elevación / descenso del motor del disco (E) para aumentar entre 1, 2 y 3. Una vez seleccionado el ajuste que desea para el pulido, apague el conmutador de llave principal (A) para almacenar el valor en la memoria. Este valor permanecerá en la memoria del panel de control hasta que vuelva a cambiarse mediante el procedimiento anterior.
- 5 Cuando llegue a la zona de trabajo, apriete el pedal de tracción hacia delante / hacia atrás (8) de la máquina para que ésta se desplace hacia delante o hacia atrás, respectivamente. La máquina debe estar siempre en movimiento antes de bajar la platina del motor del disco (1).
- 6 Una vez esté en movimiento la máquina, pulse el Interruptor de elevación / descenso del motor del disco (E) para bajar la platina del motor del disco (1). La luz Indicadora del motor del disco (D) situada en el panel de control se pondrá amarilla cuando el disco esté bajando y después se pondrá verde para confirmar que ya roza el suelo y el disco empezará a girar. Para levantar la platina del motor del disco (1) pulse el interruptor de elevación / descenso del motor del disco (E). La luz indicadora del motor del disco (D) se pondrá de color rojo cuando el disco vaya subiendo y después se apagará para confirmar la posición en alto. **NOTA:** Cuando el operario levante el pie del pedal de tracción, el pedal regresará automáticamente a la posición neutra y el motor del disco se apagará al cabo de 1 segundo (la luz indicadora del motor del disco (D) será de color amarillo). Antes de parar la máquina, levante la platina del motor del disco. Si la máquina estuviera parada y el disco tocara el suelo y funcionara, podría causar daños en el suelo.
- 7 Comience a pulir realizando tramos largos en línea recta y solape cada tramo unas 2-3 pulgadas (5-7 cm). Ajuste la velocidad de la máquina de acuerdo con la situación del suelo (si el suelo presenta muchas rozaduras, conduzca más despacio para asegurar un pulido adecuado). El kit de control de polvo activo (21), si está instalado, está funcionando siempre que el conmutador de llave principal (A) esté encendido, la platina del motor del disco (1) esté bajada y el pedal de tracción hacia delante / hacia atrás (8) no esté en la posición neutra.



¡PRECAUCIÓN!

Si la máquina detuviese su recorrido y el disco tocara el suelo y funcionara, podría causar daños en el suelo.

- 8 Cuando se está puliendo, puede ser necesario detener la máquina, levantar el disco y comprobar si éste está cargado con acabado de suelo y suciedad. En ese caso, dé la vuelta al disco para utilizar el lado limpio o instale un disco limpio.

NOTA IMPORTANTE: En caso de parada de emergencia rápida de la unidad, es preciso pulsar la desconexión de la alimentación de emergencia (10).

DESPUÉS DE LA UTILIZACIÓN

- 1 Levante la platina del motor del disco (1) y lleve la máquina a una zona de mantenimiento.
- 2 Apague (O) el conmutador principal de llave (A) y quite la llave.
- 3 Retire el disco de pulido, enjuáguelo con agua templada y tiéndalo para que seque. **NOTA:** Deje que el disco se seque por completo antes de volver a usarlo.
- 4 Compruebe la bolsa de recogida de polvo (5) y, si está llena más de la mitad o dañada, retírela y sustitúyala por una nueva.
- 5 Compruebe el programa de mantenimiento y realice cualquier operación de mantenimiento necesaria.
- 6 Limpie la máquina con un paño húmedo y, a continuación, guárdela en un lugar limpio y seco.

PROGRAMA DE MANTENIMIENTO

OPERACIÓN DE MANTENIMIENTO	Diaria	Semanal	Mensual	Anual
Recarga de baterías	X			
Comprobar, limpiar y sustituir el disco de pulido	X			
Comprobar y sustituir la bolsa de recogida de polvo	X			
Comprobar el nivel de agua de la batería		X		
Comprobar y sustituir la faldilla de la mortaja del disco		X		
Tensión de la cadena de dirección			X	
Lubricación			X	
Comprobar el desgaste de los cepillos de carbono en los motores del accionador/tracción de rueda/disco				X

NOTA: Para más información sobre todas las operaciones de mantenimiento mencionadas en este manual, consulte el Manual de Servicio.

LUBRICACIÓN DE LA MÁQUINA

Los puntos que requieren una lubricación periódica son:

Cant. 1 – Junta universal de la barra del volante (orificio de lubricación)

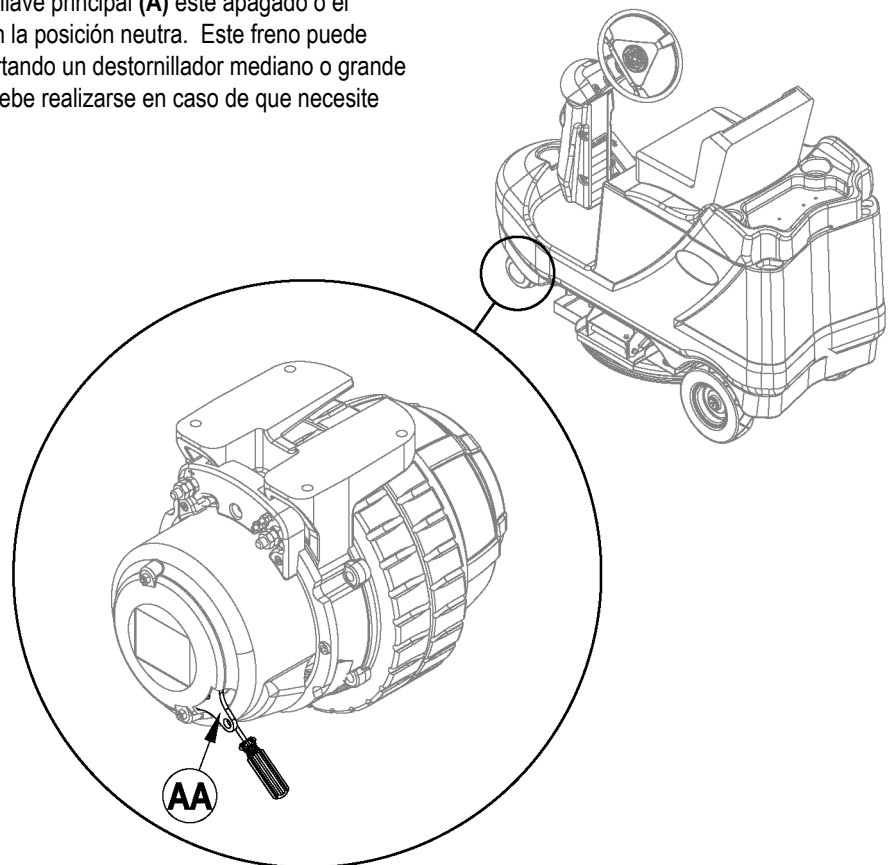
TENSIÓN DE LA CADENA DE DIRECCIÓN

Examine una vez al mes y realice los ajustes necesarios (consulte el manual de servicio para obtener instrucciones detalladas).

FRENO ELECTROMAGNÉTICO

Ver la Figura 4. El conjunto volante de tracción / dirección (14) tiene un freno electromagnético integrado que se activa siempre que el conmutador de llave principal (A) esté apagado o el pedal de tracción hacia delante / hacia atrás (8) esté en la posición neutra. Este freno puede desactivarse manualmente cuando sea necesario insertando un destornillador mediano o grande detrás de la yema (AA) como se muestra. Esto sólo debe realizarse en caso de que necesite empujar o tirar de la unidad.

FIGURA 4



RECARGA DE BATERÍAS

Recargue las baterías cada vez que se utilice la máquina durante 1 hora o más o cuando las luces indicadoras de la situación de las baterías (B) se encienda en rojo.

Para cargar las baterías...

- 1 **¡IMPORTANTE!**: Abra la cubierta del compartimento de las baterías (13) para establecer una ventilación adecuada.
- 2 Desconecte el conjunto conector de las baterías (7) y conecte el cargador de las baterías en el enchufe conectado a las baterías.
- 4 Siga las instrucciones que aparecen encima del cargador de las baterías.
- 5 Compruebe el nivel del fluido en todas las células de las baterías después de recargar las baterías. Si es necesario, añada agua destilada para que el nivel de fluido llegue hasta el fondo de los tubos de llenado.



¡ADVERTENCIA!

No rellene las baterías antes de recargarlas.

Recargue las baterías exclusivamente en una zona bien ventilada.

No fume mientras maneja las baterías.

Cuando revise las baterías...

- * Qítense todas las joyas
- * No fume
- * Lleve gafas de seguridad, un delantal de goma y guantes de goma
- * Trabaje en una zona bien ventilada
- * No permita que las herramientas toquen simultáneamente más de un terminal de batería
- * Al sustituir las baterías, desconecte SIEMPRE en primer lugar el cable (de tierra) negativo para evitar chispas.
- * Al instalar las baterías, conecte SIEMPRE el cable negativo al final.



¡PRECAUCIÓN!

Para evitar daños a la superficie del suelo, limpie siempre el agua y el ácido de la parte superior de las baterías después de la recarga.

COMPROBACIÓN DEL NIVEL DE AGUA DE LAS BATERÍAS

Compruebe el nivel de agua de las baterías al menos una vez a la semana.

Después de cargar las baterías, retire las cubiertas de ventilación y compruebe el nivel de agua de todas células de las baterías. Utilice agua destilada o desmineralizada en un dispensador de relleno de baterías (disponible en la mayoría de las tiendas de materiales para coches) para llenar todas las células hasta el indicador de nivel (o hasta 10 mm por encima de la parte superior de los separadores). ¡NO rellene demasiado las baterías!



¡PRECAUCIÓN!

Si las baterías están demasiado llenas se puede salpicar ácido al suelo.

Apriete las cubiertas de ventilación. Limpie la parte superior con una solución de levadura química y agua (2 cucharadas de levadura química en 1 litro de agua). **Nota del servicio:** Hay un tapón de drenaje en la parte inferior del compartimento de baterías.

SOLUCIÓN DE PROBLEMAS GENERALES DE LA MÁQUINA

LUCES DE ESTADO DEL PANEL DE VISUALIZACIÓN DEL OPERADOR:

Pantalla de cronómetro / error (C): Si se muestra un código de error en la pantalla de cronómetro / error **(C)** significa que se ha producido un error del sistema; la pantalla de error mostrará "Err" seguido por un código de dos dígitos. Consulte el manual de servicio para obtener las descripciones de los códigos de fallo y la corrección.

MARCAS DE GIRO

- Suelo sucio.
- Zona mal barrida – residuos en el disco o el cepillo.
- Disco inadecuado para el trabajo.
- Movimiento demasiado rápido de la máquina.

CÍRCULOS EN EL SUELO

- Máquina detenida en un lugar con el disco en funcionamiento.

DESAPARICIÓN DEL ACABADO DEL SUELO

- Disco no adecuado... demasiado agresivo.
- Movimiento demasiado lento de la máquina.

OSCILACIÓN DE LA MÁQUINA DURANTE SU UTILIZACIÓN

- Disco defectuoso... un lado es más denso que el otro.
- Instalación incorrecta del disco en el portadiscos.
- Portadiscos desequilibrado - sustituir.

LA MÁQUINA NO SE PONE EN MARCHA

- Compruebe la desconexión de la alimentación de emergencia **(10)**
- Compruebe el conmutador de seguridad del asiento del operador **(12)**
- Compruebe los códigos de error en los controladores de velocidad y principal **(ver manual de servicio)**
- Fallo en el pedal: Provocado por el operador al activar el pedal de tracción hacia delante / hacia atrás **(8)** antes de encender el conmutador de llave principal **(A)**. Para borrarlo: Apague el conmutador de llave, espere hasta que se apague la pantalla y vuelva a encender el conmutador de llave.

ESPECIFICACIONES TÉCNICAS (según la instalación y comprobaciones de la unidad)

Modelo		Advolution™ 2710	UHR 70-1700
Nº Modelo		56422000 / 56422002	56422001
Voltaje, baterías	V	36V	36V
Capacidad baterías	Ah	395	395
Grado de protección		IPX3	IPX3
Nivel de presión sonora (IEC 60704-1)	dB(A)/20µPa	69	69
Peso bruto	lbs. / kg	1,379 / 625	1,379 / 625
Vibraciones en los controles manuales (ISO 5349-1)	m/s ²	1.27 m/s ²	1.27 m/s ²
Vibraciones en el asiento (EN 1032)	m/s ²	0.19 m/s ²	0.19 m/s ²
Capacidad ascendente			
Transporte		12.3% (7 ^o)	12.3% (7 ^o)
Limpieza		12.3% (7 ^o)	12.3% (7 ^o)

TYPE: UHR 70-1700

<p>EU Overensstemmelseserklæring DK</p> <p>Polermaskine Maskinen er fremstillet i overensstemmelse med følgende direktiver: Maskindirektiv: 98/37/EØF EMC-direktiv: 89/336/EØF 92/31/EØF 93/68/EØF 98/13/EOF</p> <p>Lavspændingsdirektiv: 73/23/EØF 93/68/EØF Harmoniserede standarder: EN 60 335-2-72</p>	<p>Déclaration CE de conformité B, F</p> <p>Polisseuse Cette machine a été fabriquée conformément aux directives suivantes: Réglementation machine: 98/37/CEE Réglementation CEM: 89/336/CEE 92/31/CEE 93/68/CEE 98/13/CEE Règlement basse tension: 73/23/CEE 93/68/CEE Normes harmonisées: EN 60 335-2-72</p>
<p>EU Överensstämmelseförsäkran S, FIN</p> <p>Polermaskine Maskinen är tillverkad i överensstämmelse med följande direktiver: Maskindirektiv: 98/37/EEG EMC-direktiv: 89/336/EEG 92/31/EEG 93/68/EEG 98/13/EEG Lågspänningsdirektiv: 73/23/EEG 93/68/EEG Harmoniserade standarder: EN 60 335-2-72</p>	<p>EG-conformiteitsverklaring NL, B</p> <p>Ultra high speed vloeronderhoudmachine Deze machine is vervaardigd overeenkomstig de volgende richtlijnen: Machine richtlijn: 98/37/EEC EMC-richtlijn: 89/336/EEC 92/31/EEC 93/68/EEC 98/13/EEC Laagspanning richtlijn: 73/23/EEC 93/68/EEC Geharmoniseerde normen: EN 60 335-2-72</p>
<p>EU Declaration of Conformity GB, IRL</p> <p>Floor burnishing machine This machine was manufactured in conformity with the following directives and standards: Machine Directive: 98/37/EEC EMC-directive: 89/336/EEC 92/31/EEC 93/68/EEC 98/13/EEC Low voltage directive: 73/23/EEC 93/68/EEC Harmonized standards: EN 60 335-2-72</p>	<p>Declaración de conformidad de la CEE E</p> <p>Abrillantadora de suelos Esta máquina ha sido fabricada en conformidad a las siguientes normativas: Normativa de la máquina: 98/37/CEE Normativa EMC: 89/336/CEE 92/31/CEE 93/68/CEE 98/13/CEE Normativa sobre baja tensión: 73/23/CEE 93/68/CEE Normas armonizadas: EN 60 335-2-72</p>
<p>Dichiarazione di conformità - CEE I</p> <p>Macchina Lucidatrice È prodotto in conformità alle disposizioni contenute nelle Direttive del Consiglio dei Ministri: M-direttiva: 98/37/EEC EMC-direttiva: 89/336/EEC 92/31/EEC 93/68/EEC 98/13/EEC LV-direttiva: 73/23/EEC 93/68/EEC Norme armonizzate: EN 60 335-2-72</p>	<p>EU Declaração de conformidade da CE P</p> <p>Polidora Esta máquina foi fabricada em conformidade com as seguintes directrizes: Directriz de maquinaria: 98/37/CEE Directriz EMC: 89/336/CEE 92/31/EEC 93/68/CEE 98/13/CEE Directriz de baixa voltagem: 73/23/CEE 93/68/CEE Normas harmonizadas: EN 60 335-2-72</p>
<p>EG – Konformitätserklärung D, A</p> <p>Poliermaschine Diese Maschine wurde gemäß den folgenden Richtlinien hergestellt: Maschinenrichtlinie: 98/37/EWG EMV-Richtlinie: 89/336/EWG 92/31/EWG 93/68/EWG 98/13/EWG Niederspannungsrichtlinie: 73/23/EWG 93/68/EWG Harmonisierte normen: EN 60 335-2-72</p>	<p>EU:n yhdenmukaisuudesta direktiiveihin FIN</p> <p>Lattian kiillotuskone On valmistettu noudattaen yhteisön määräämiä direktiivejä: M-direktiivi: 98/37/CEE EMC-direktiivi: 89/336/CEE 92/31/CEE 93/68/CEE 98/13/CEE LV-direktiivi: 73/23/CEE 93/68/CEE Yhdenmukaistetut standardit: EN 60 335-2-72</p>
<p>Δηλώση προσαρμογής/σύμφωνης EU GR</p> <p>Μηχανήμα στίλβωσης δαπέδων Το μηχανήμα έχει κατασκευαστεί ομόφωνα με τις παρακάτω προστάξεις: Προσάγγραφή μηχανήματος: 98/37/EEC Προσάγγραφή-EMC: 89/336/EEC 92/31/EEC 93/68/EEC 98/13/EEC Προσάγγραφή χαμηλής τάσεως: 73/23/EEC 93/68/EEC Εναρμονισμένα πρότυπα: EN 60 335-2-72</p>	<p>EL vastavusdeklaratsioon ET</p> <p>Põrandapoleerimismasin tolmuimeja Käesolev masin on valmistatud kooskõlas järgmiste direktiivide ja standarditega: Masinadirektiiv: 98/37/EEC Elektromagnetilise sobivuse direktiiv: 89/336/EEC 92/31/EEC 93/68/EEC 98/13/EEC Madalpinge direktiiv: 73/23/EEC 93/68/EEC Ühtlustatud standardid: EN 60 335-2-72</p>

<p>ES atbilstības deklarācija LV Grīdas spodrināšanas mašīna Šī mašīna izgatavota atbilstoši šādām direktīvām un standartiem: Mašīnu direktīva: 98/37/EEC Elektromagnētiskās savietojamības (EMC) direktīva: 89/336/EEC 92/31/EEC 93/68/EEC 98/13/EEC Zemsprieguma direktīva: 73/23/EEC 93/68/EEC Saskaņotie standarti: EN 60 335-2-72</p>	<p>Pareiškimas apie atitikimą ES direktyvoms LT Grindų poliravimo mašina Šis įrenginys pagamintas laikantis tokių direktyvų bei standartų: Įrengimų direktyva: 98/37/EEC EMC direktyva: 89/336/EEC 92/31/EEC 93/68/EEC 98/13/EEC Žemos įtampos įrengimų direktyva: 73/23/EEC 93/68/EEC Harmonizuoti standartai: EN 60 335-2-72</p>
<p>Deklaracija EU o skladnosti SL Stroj za poliranje tal Ta stroj je izdelan v skladu z naslednjimi smernicami in standardi: Smernica o strojih: 98/37/EEC Smernica o elektromagnetni združljivosti (EMC): 89/336/EEC 92/31/EEC 93/68/EEC 98/13/EEC Smernica o nizki napetosti: 73/23/EEC 93/68/EEC Harmonizirani standardi: EN 60 335-2-72</p>	<p>Prehlásenie o súlade EÚ SK Zariadenie na leštenie povrchov Toto zariadenie bolo vyrobené v súlade s nasledujúcimi direktívami a normami: Direktíva o zariadeniach: 98/37/EEC Direktíva EMC: 89/336/EEC 92/31/EEC 93/68/EEC 98/13/EEC Direktíva o nízkom napätí: 73/23/EEC 93/68/EEC Súvisiace normy: EN 60 335-2-72</p>
<p>EU Prohlášení o shodě CS Stroj pro leštění podlah Tento stroj byl vyroben ve shodě s následujícími směrnici a normami: Směrnice o strojním zařízení: 98/37/EEC Směrnice o elektromagnetické kompatibilitě: 89/336/EEC 92/31/EEC 93/68/EEC 98/13/EEC Směrnice o nízkém napětí: 73/23/EEC 93/68/EEC Harmonizované normy: EN 60 335-2-72</p>	<p>Deklaracja zgodności z normami UE PL Polerka podłogowa Niniejsze urządzenie zostało wyprodukowane w zgodzie z następującymi dyrektywami i normami UE: Dyrektywa dotycząca maszyn: 98/37/EEC Dyrektywa: kompatybilność elektromagnetyczna 89/336/EEC 92/31/EEC 93/68/EEC 98/13/EEC Dyrektywa: urządzenia elektromagnetyczne niskonapięciowe 73/23/EEC 93/68/EEC Zharmonizowane normy: EN 60 335-2-72</p>
<p>EU megfeleléségi nyilatkozat HU Padlófényező-/padlókeféliő-gép Ez a gép az alábbi irányelvekkel és szabványokkal összhangban készült: Gépészeti irányelvek 98/37/EEC EMC-irányelvek 89/336/EEC 92/31/EEC 93/68/EEC 98/13/EEC Kisfeszültségű irányelvek: 73/23/EEC 93/68/EEC Harmonizált szabványok: EN 60 335-2-72</p>	<p>Декларация изготовителя о соответствии директивам ЕС Машина для полировки полов Данная машина разработана в соответствии со следующими инструкциями и стандартами: Инструкция по разработке машин: 98/37/EEC Инструкция EMC: 89/336/EEC 92/31/EEC 93/68/EEC 98/13/EEC Инструкция по использованию низких напряжений: 73/23/EEC 93/68/EEC Согласованные стандарты: EN 60 335-2-72</p>



3.01.2006

Larry Doerr, Vice President Operations
Nilfisk-Advance, Inc.
14600 21st Avenue North
Plymouth, MN 55447 USA

Nilfisk-Advance A/S
Sognevej 25
DK-2605 Brøndby, Denmark

