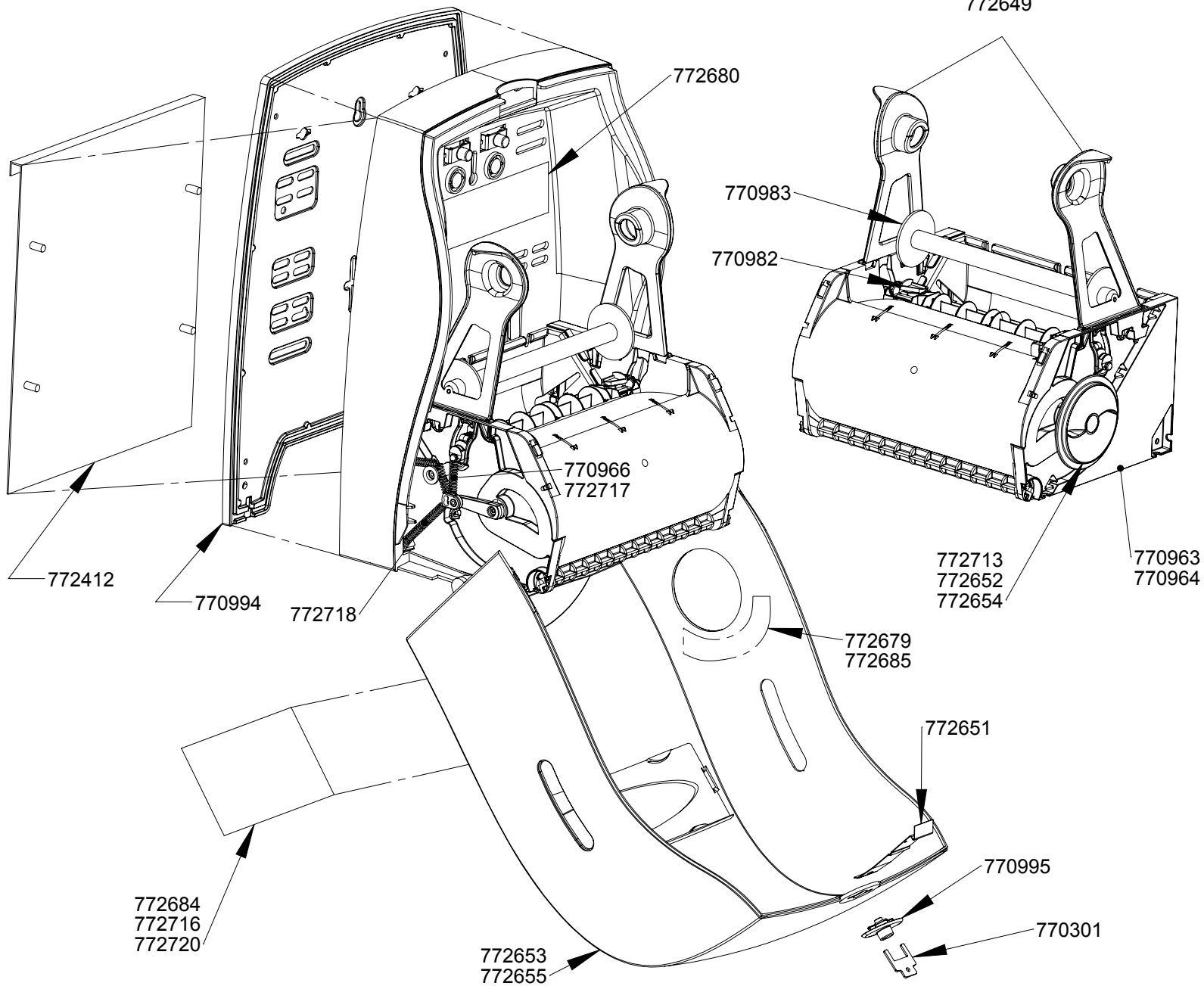


09990, 09991, 09995, 09996 Spare Parts and Accessories

772714
772715
772649



Spare Part No.	Description	Spare Part No.	Description
770301	Key	772679	Emerg. Feed Knob Label - Located on Side of Cover
770963	New - Dash 30 Module, 1.5" Hubs, Stub Roll Feature, Red Emerg. Knob	772680	Loading Instruction Label
770964	New - Dash 30 Module, 1.75 Hubs, Stub Roll Feature, Red Emerg. Knob	772684	Pull Two Hands Label
770966	Shaft Springs - Fits Dash 30 Modules with Red Emerg. Knob	772685	Emerg. Feed Knob Label - Located on Side of Cover
770982	Transfer Clips (Blue Clips)	772713	Red Emergency Knob Kits - Fits All Dash Codes
770983	Guide Roller (For Dash 20 Dispenser)	772714	Roll Holders 1.5" Hubs, Dark Blue - (Fits Dash 20 & Higher) Modules With Red Emerg Knob
770994	HACCP Splash Shield	772715	Roll Holders 1.75" Hubs, Black - Fits Modules With Red Emerg. Knob
770995	HACCP Rubber Push Button	772716	Label Used on Dash 20 Insight Covers - Fits All Dash Codes
772412	Recessed Dispenser Mounting Bracket - 12"	772717	Dampening Roller Springs - Fits Dash 20 Modules With Red Emerg. Knob
772649	Roll Holders 1.5" Hubs, White - Fits Dash 00 & 10 Modules With Black or White E-Knob	772718	Drum Springs - Fits Dash 20 Modules With Red Emerg Knob
772651	Lock Spring Latch	772720	Pull With 2 Hands - Front Cover Label
772652	Emergency Feed Knob Kit		
772653	WINDOWS XAE Front Cover Kit		
772654	Emergency Feed Knob Kit		
772655	IN-SIGHT XAE Front Cover Kit		