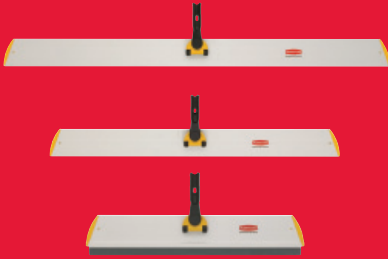




HOW TO: DUST LARGE AREAS

TOOLS



24" – 48" Quick Connect Frame



24" – 48" Green Hall Dust Pads



Quick Connect
Handle of Choice

TIPS

- 100% Microfiber Pads are best for dusting—having the most fiber ends to grab and hold dust electrostatically as well as having the best surface contact.
- Follow all established safety procedures.
- Wear all appropriate personal protective equipment (glasses, gloves, etc.).

PREPARATION

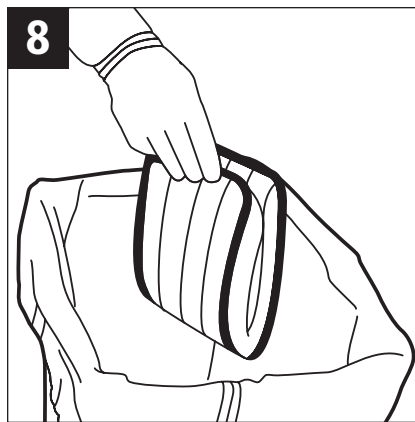
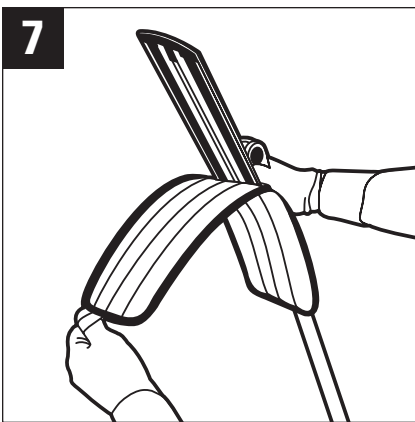
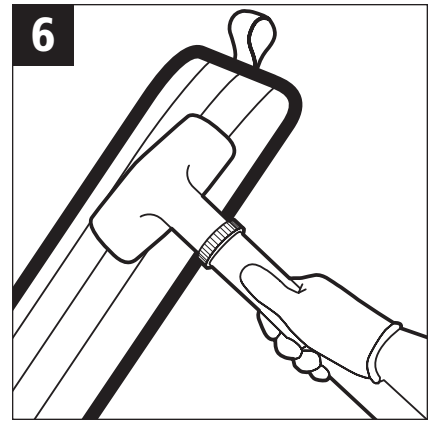
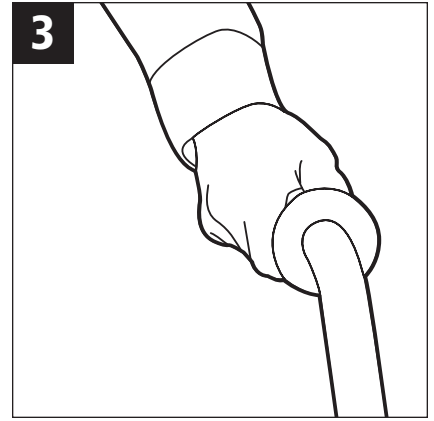
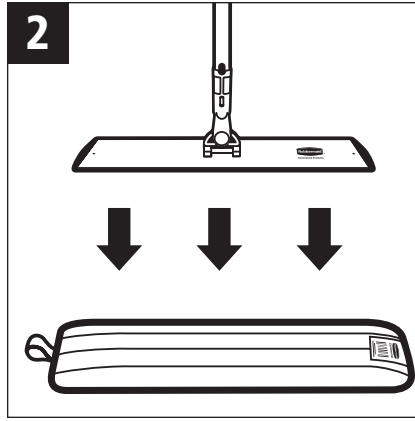
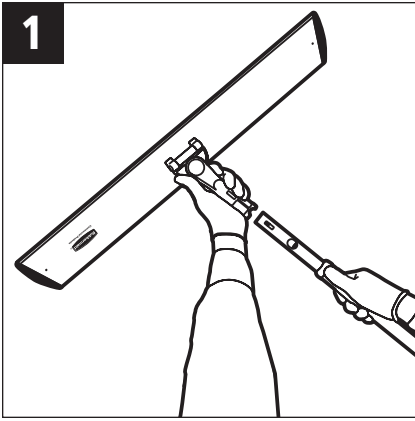
- A** Pick up or sweep all debris from floor.
- B** Be certain all wet spots are dried before dust mopping with Microfiber.
Reason: Microfiber dust mops are so dense with fiber and so absorbent that they will "stick" to wet spots making the mop difficult to push.
- C** Select a mop size that will complete the job in a minimum number of passes.
Example: If a hall is 60" wide, a 36" mop will complete the job in 2 passes. A 24" mop would require 3 passes. Therefore, the 36" mop is a more efficient and better choice.

PROCEDURE

- 1** Attach Quick Connect Handle to Frame.
- 2** Place pad on floor with white backing side up. Center frame over pad and slide frame down to attach.
- 3** **4** Starting at end of hall or far corner of room, push mop from behind along closest wall side as first pass.
- 5** At other end of hall or room, loop back for second pass making certain that passes overlap slightly to insure coverage. Repeat this step until job is complete.
- 6** When pad accumulates too much dust and dirt, vacuum, brush or roll a damp sponge over pad surface to remove soil before reusing.
When job is complete, repeat Step 6 before storing mop or remove pad for laundering.
- 7** To remove large pad, peel away from frame using looped end.
- 8** Drop pad into bag for laundering.

OVER 

HOW TO: Dust Large Areas



Customer Service: 1-800-347-9800
www.rubbermaidcommercial.com

03/06 MP 20M SM664-K
©2006 by Rubbermaid Commercial Products LLC
3124 Valley Avenue, Winchester, VA 22601

Work Smarter.

