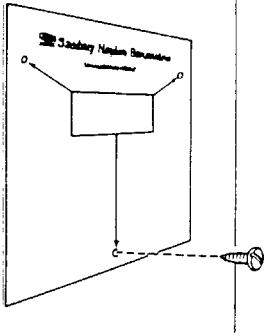


# Sanitary Napkin Receptacle No. 6140

## Mounting Instructions

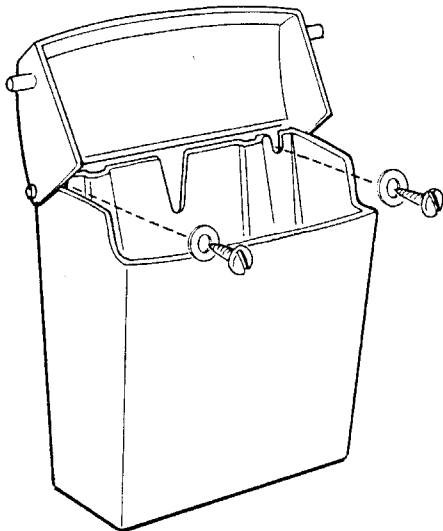
Use this sheet  
as a guide  
for locating  
screws for mounting.

1.



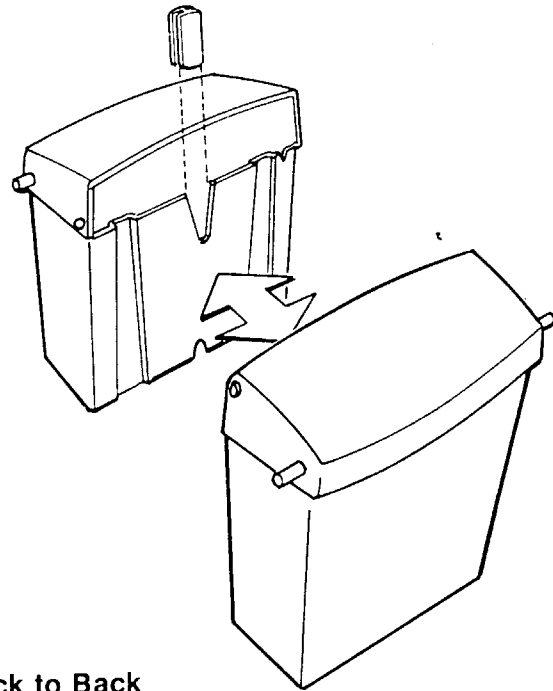
Locate screw in  
bottom position.

2.



Place container on bottom screw. Remove  
liner and install top screws.

3.



### Back to Back Mounting

Hold two bases together at back, with liners  
removed, slide connector down over center  
slots.