



HOW TO: WET MOP USING PRESS WRING BUCKET

TOOLS



18" Quick Connect Frame



18" MF Wet Pad • Q410



Safety Sign

Quick Connect
Handle of
Choice



Press Wring Bucket • Q900-88
and
Cleaning Solution of Choice

TIPS

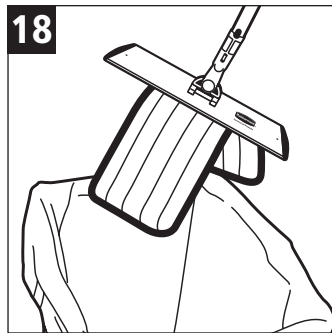
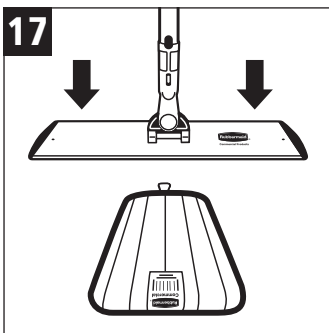
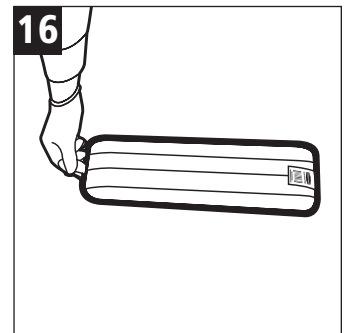
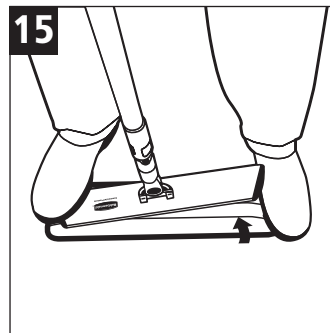
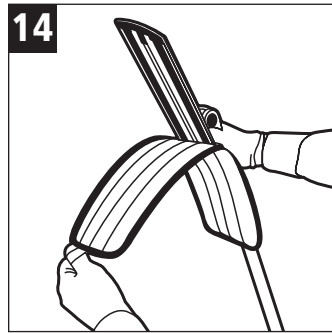
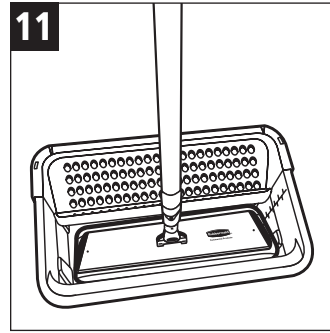
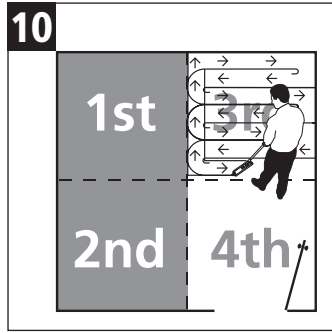
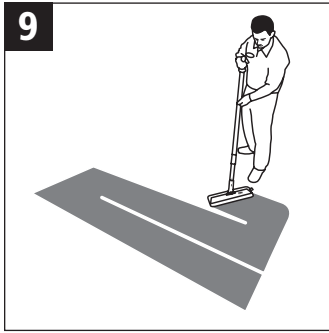
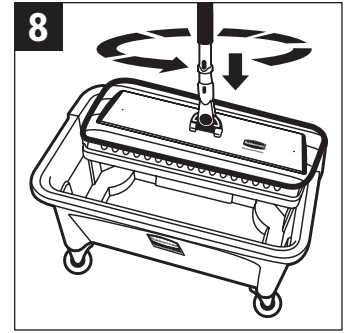
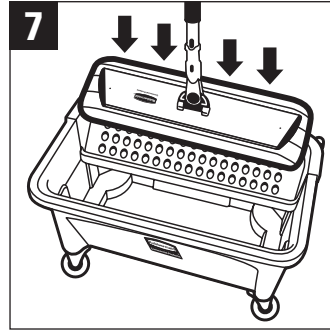
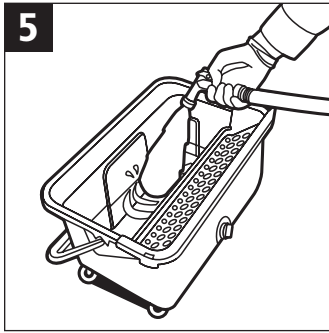
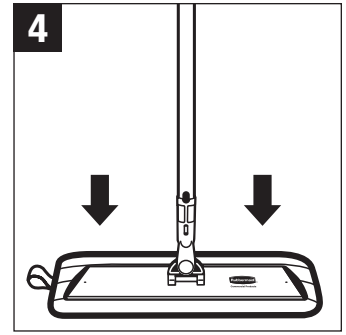
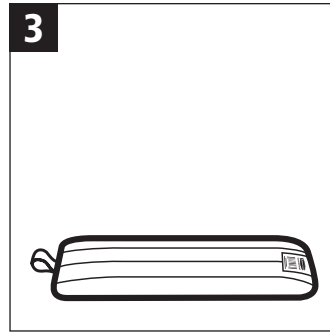
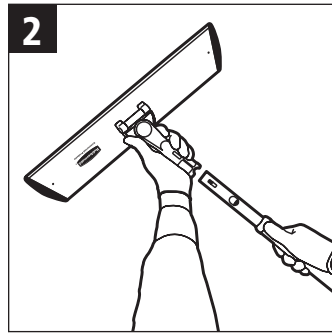
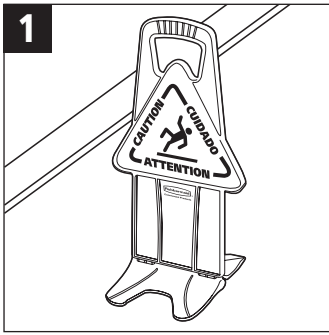
- Follow all established safety procedures.
- Wear all appropriate personal protective equipment (glasses, gloves, etc.).

PROCEDURE

- 1** Place safety floor sign(s) in all pedestrian walkways.
- 2** Affix mop handle to 18" frame.
- 3** Place a clean, dry Q410 Wet Pad on floor with white backing side up.
- 4** Hold Quick Connect Frame over pad, then slide it down to attach pad with hook and loop system.
- 5** Fill bucket to desired level with water and recommended volume of cleaning solution.
- 6** Place microfiber flat mop into bucket and maneuver bucket to desired location by steering with mop handle.
- 7** Lift mop from bucket onto the sieve and, holding handle upright (perpendicular to floor), press straight down and wring pad to desired wetness. Bucket should not move.
- 8** Rotate pad 180° and wring from other side.
- 9** Place mop on floor and use overlapping "Figure 8" strokes to clean.
Tip: Start mopping at far corner of room or end of hall.
- 10** Progressively work backwards until pad becomes too dry.
- 11** Dip mop into bucket and repeat steps 7 through 10 as required to complete the job.
Note: Change pad when too soiled to clean.
- 12** When job is complete, empty bucket into floor drain using twist valve on backside. If a floor drain is not available, take bucket to sink, lift and pour contents using one of the front corners as a pouring spout.
- 13** Rinse pad with clean water and dry or remove pad from frame for laundering using one of two methods:
- 14** A. Using fabric loop on pad, peel pad away from hook and loop fastening on frame.
- 15** B. Step on edge of pad frame with left foot and edge of pad with right foot. Pull frame up and pad will peel away from hook and loop backing.
- 16** Lift pad by fabric loop for laundry or drying...
- 17** ...or pick up soiled pad by turning pad 90° and touching end of frame on center of pad to lift up.
- 18** Since the pad now folds downward in half, it can easily be removed from the frame and dropped into a laundry bag.

OVER 

HOW TO: Wet Mop Using Press Wring Bucket



Customer Service: 1-800-347-9800
www.rubbermaidcommercial.com

03/06 MP 20M SM664-F
©2006 by Rubbermaid Commercial Products LLC
3124 Valley Avenue, Winchester, VA 22601

Work Smarter.

