



# HOW TO: DUST MOP A ROOM

## TOOLS



18" Quick Connect Frame



18" MF Dry Room Pads • Q412  
One Per Room



Quick Connect Handle of Choice

## PROCEDURE

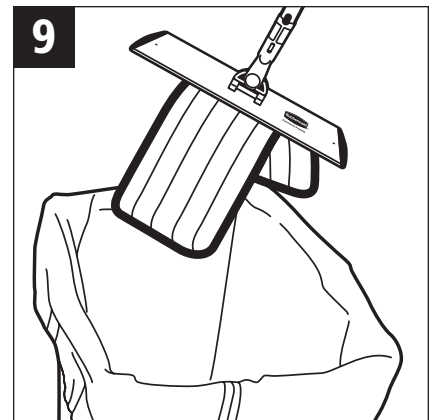
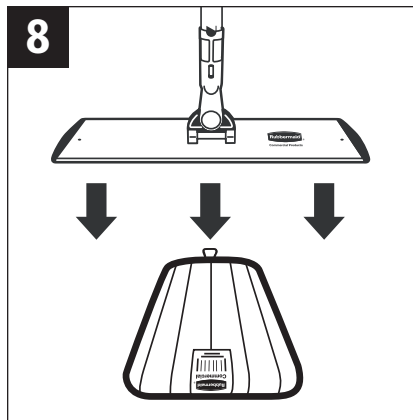
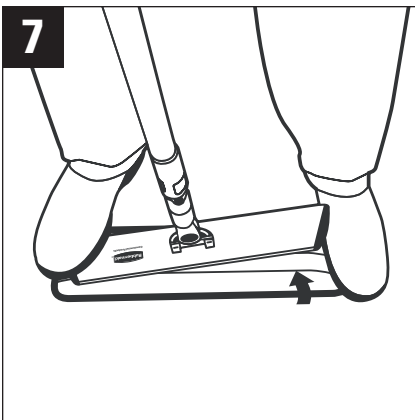
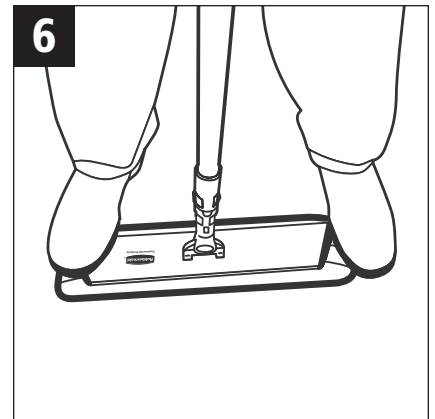
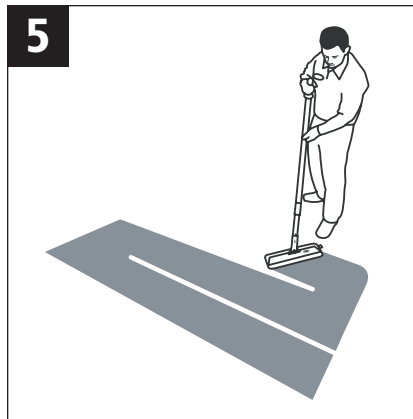
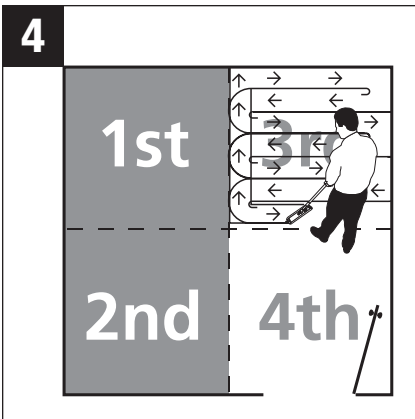
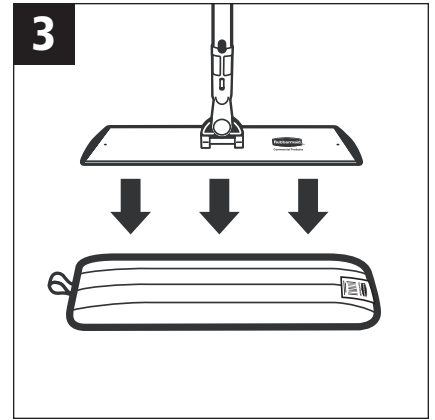
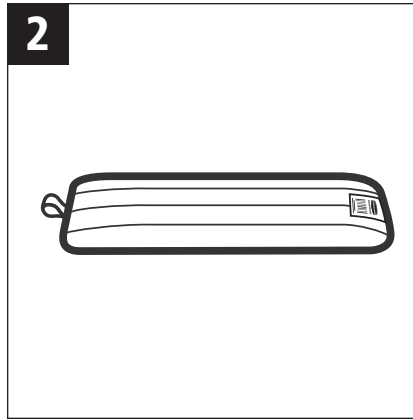
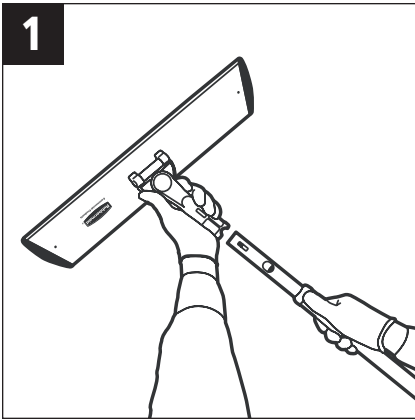
- 1** Affix Quick Connect Handle to 18" frame.
- 2** Place a clean Q412 Dry Room Pad on the floor with white backing side up.
- 3** Center the Quick Connect Frame over the pad then slide it down to attach the pad with hook and loop system.
- 4** **5** Starting at the far corner of the room dust mop the floor using overlapping "Figure 8" strokes while moving backward toward the doorway.
- 6** After dusting each room remove pad from frame for laundering using foot method. Step on edge of pad frame with left foot and edge of pad with right foot.
- 7** Pull frame up and pad will peel away from hook and loop backing.
- 8** Pick up soiled pad by turning pad 90° and touching end of frame on center of pad to lift up.
- 9** Since the pad now folds downward in half it can easily be removed from the frame and dropped into a laundry bag.
- 10** Repeat steps 2 through 9 for each room being cleaned.

## TIPS

- Dust mop each room with a clean pad to help prevent cross contamination.
- Follow all established safety procedures.
- Wear all appropriate personal protective equipment (glasses, gloves, etc.).

**OVER** 

# HOW TO: Dust Mop a Room



Customer Service: 1-800-347-9800  
www.rubbermaidcommercial.com

03/06 MP 20M SM664-A  
©2006 by Rubbermaid Commercial Products LLC  
3124 Valley Avenue, Winchester, VA 22601

**Work Smarter.**

