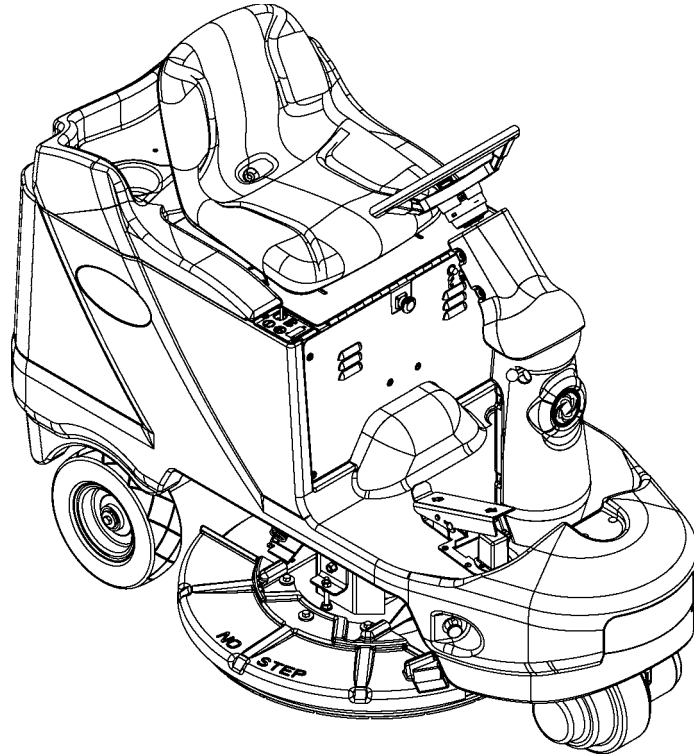


Advolution™ 2710

UHR 70-1700



PARTS LIST

Advance MODELS 56422000, 56422002, 56422184
Nilfisk MODEL 56422001



Nilfisk
Advance
setting standards

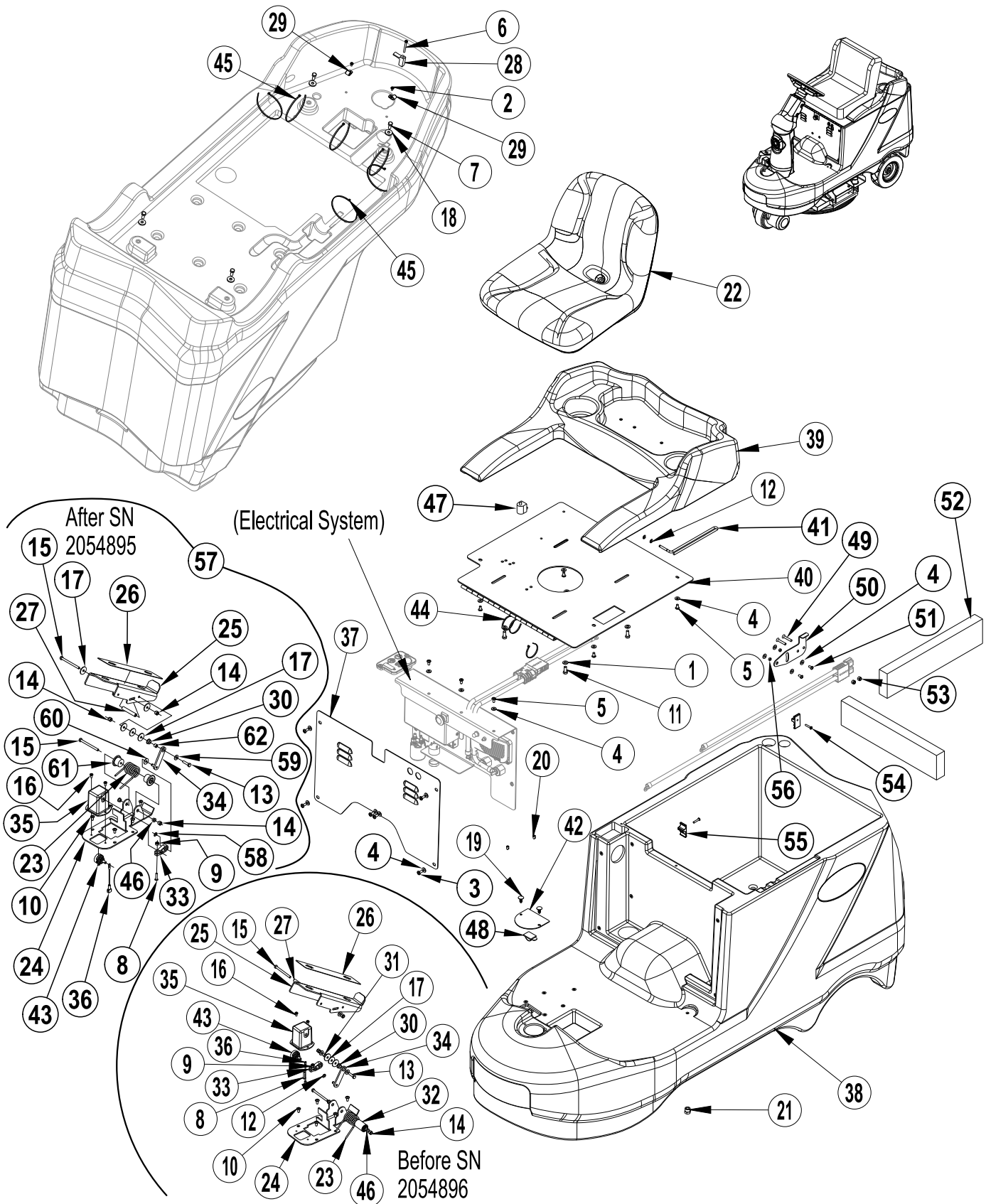
3/06 revised 8/08 FORM NO. 56042468
BOOK D SECTION 5.9.1

DESCRIPTION	PAGE
Body System.....	2-3
Chassis System.....	4-5
Decal System.....	6-7
Electrical System	8-9
Pad Drive System	10-11
Steering System	12-13
Wiring Diagram	14-15
Options and Accessories	16

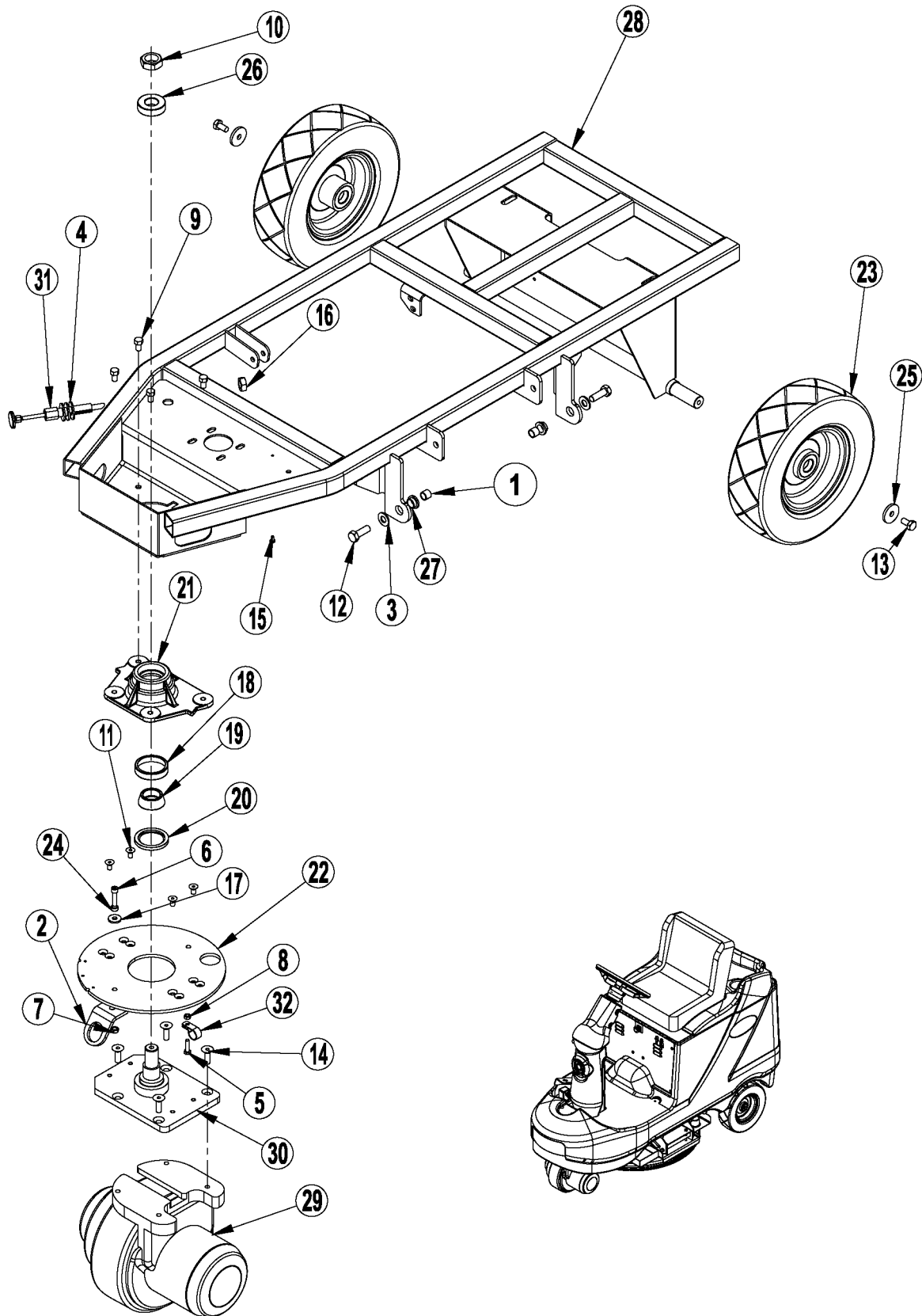
WHEN ORDERING PARTS

- * Use the 8 digit numbers from the "Ref. No." columns in this parts list.
- * Specify the model and serial number of the machine.
- * Use the space below to record the model and serial number for future reference.

Model _____ Serial No. _____



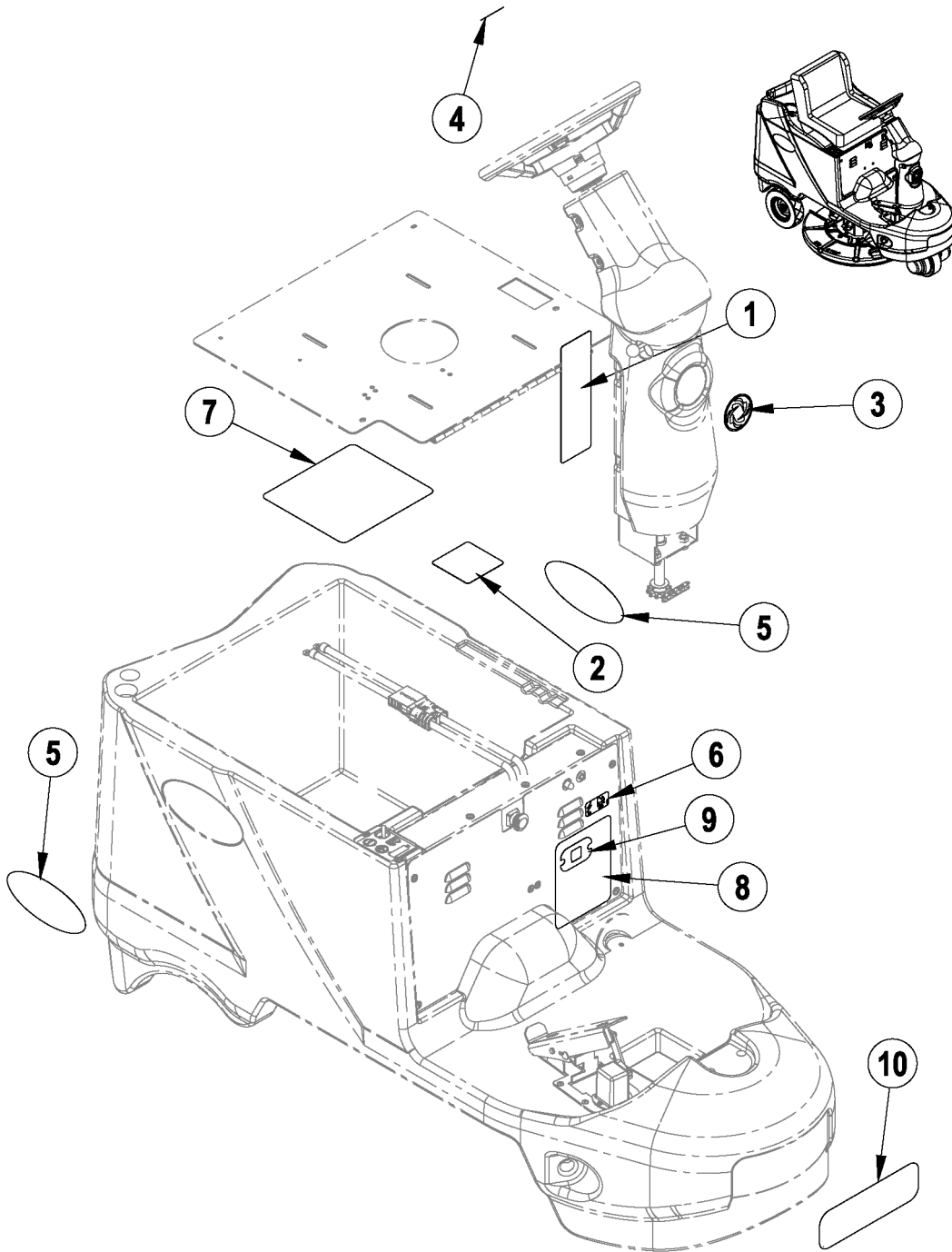
Item	Ref. No.	Qty	Description	Item	Ref. No.	Qty	Description
1	56001939	4	Wsh, Flt SAE 5/16	57#	56413421	1	Pedal Assembly NOTE #2 (items 8-9, 13-17, 23-27, 30, 33-36, 43, 46 & 58-62)
2	56002043	2	Scr, Pan Phil 10-24 X .38	58#	56003268	1	Ring, Ret Ext Type E Reinf. 0.25 Dia NOTE #2
3	56002066	4	Scr, Pan Phil 1/4-20 X .62	59#	56002098	1	Wsh, Flt SAE 1/4 NOTE #2
4#	56002098	15	Wsh, Flt SAE 1/4	60#	56009025	1	Wsh, Flt .266 x .750 x .036 NOTE #2
5	56002145	7	Scr, Pan Phil 1/4-20 X .50	61#	56380438	2	Spacer, Spring NOTE #2
6	56002171	1	Scr, Pan Phil 10-24 X 2.00	62#	56380440	1	Bushing, M6 x .375 x .295 NOTE #2
7	56002667	4	Scr, Hex 5/16-18 X .75				# = Revised or new since last update
8	56002733	1	Scr, Pan Phil 10-24 X .88				NOTE #1: These parts are only used on the Nilfisk UHR 70-1700.
9	56002768	1	Nut, Hex Nyl Loc 10-24				NOTE #2: These parts are only used after serial number 2054895.
10	56003119	5	Scr, Pan Phil SS 1/4-20 X .50				NOTE #3: If you need to replace either of these items please order Pedal Assembly 56413421.
11	56002035	4	Scr, Hex 5/16-18 x .62				
12#	56003268	2	Ring, Ret Ext Type E Reinf. 0.25 Dia				
13	56003358	1	Scr, Hex M6-1 X 25mm				
14	56003403	3	Nut, Hex Nyl Loc M6-1				
15	56003428	2	Scr, Hex M6-1 X 75mm				
16	56009030	2	Scr, Pan Phil Thd Form 10-24 X .38				
17#	56009060	3	Wsh, Flt SS .260 X 1.000 X .074 (qty of 5 after SN 2054896)				
18	56009122	4	Wsh, Flt .344 X .938 X .125				
19	56003263	2	Rivet, Nylon Tree Push-In (.25)				
20	56249946	2	Insert, Brass 10-24				
21	56261421	1	Plug, Hex Pipe				
22	8-69-00022	1	Seat				
23	56314037	1	Spring, Torsion				
24	NA	1	Bracket, Foot Pedal NOTE #3				
25	NA	1	Foot Pedal NOTE #3				
26	56314176	1	Mat, Pedal				
27#	56380439	1	Bushing				
28	56314608	1	Clamp, Cable				
29	56323277	2	Clamp, P				
30	56324505	1	Bearing, Flange				
31	56368989	1	Bushing				
32	56409378	1	Spacer, Nylon				
33	56409471	1	Lever, Throttle				
34	56409610	1	Link Weldment				
35	56412094	1	Housing, Potentiometer				
36	56412331	1	Wire Assy.				
37	56422029	1	Cover, Electrical Compartment				
38	56422056	1	Body, Main				
39	56422067	1	Cover, Battery				
40	56422073	1	Weldment, Seat Panel				
41	56422080	1	Prop Rod				
42	56422082	1	Cover, Spindle				
43	56454740	1	Potentiometer, 5K (R1)				
44	56478246	3	Tie, Cable				
45	56478523	6	Tie, Cable				
46	56756318	2	Bearing, Flange				
47	7-82-00050	1	Switch				
48	7-13-07096	1	Clamp, Adjustable				
49	56001972	2	Scr, Flt Phil 1/4-20 x 1.50 NOTE #1				
50	56422165	1	Bracket, Connector NOTE #1				
51	56009204	2	Scr, Button Soc 1/4-20 x .50 NOTE #1				
52	56314119	2	Spacer, Battery NOTE #1				
53	56002708	2	Nut, Hex Ny Loc 1/4-20 NOTE #1				
54	56002674	2	Scr, Pan Phil 10-24 x 1.00 NOTE #1				
55	56314155	2	Clamp, Cable NOTE #1				
56	56163872	2	Bushing NOTE #1				



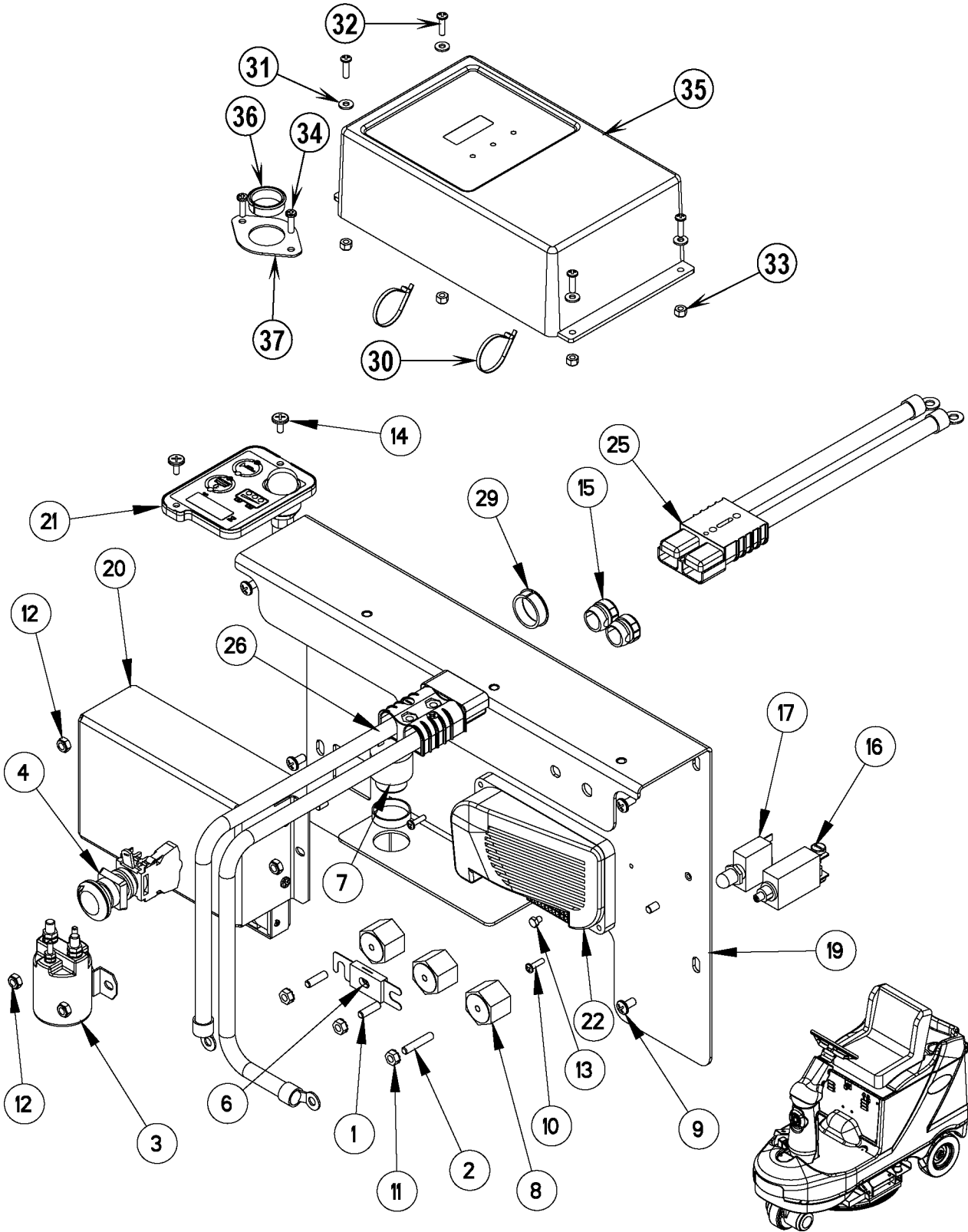
Item	Ref. No.	Qty	Description
1#	56422177	2	Bushing, M12 x .625 x .535
2	56412209	1	Bracket, Tie Down
3#	56009017	2	Wsh, Flt Harden .516 x .938 x .075
4	56002022	3	Wsh, Flt SAE 5/8
5	56001836	1	Scr, Hex 1/4-20 X .62
6	56002131	1	Scr, Soc Hd 5/16-18 X 1.25
7	56002826	1	Nut, Hex Nyl Loc-Thin 5/16-18
8	56002840	1	Nut, Hex Nyl Loc-Thin 1/4-20
9	56003040	4	Scr,Hex Hd Loc 3/8-16x.62
10	56003220	1	Nut, Hex Nyl Loc-Thin 1-14
11	56003394	4	Scr, Flt Soc 5/16-18 X .62
12	56003415	2	Scr, Hex M12-1.75 X 35mm
13	56003442	2	Scr, Hex Loc M10-1.5 X 20mm
14	56003738	4	Scr, Flt Soc M10-1.50 X 25mm
15	56009030	1	Scr, Pan Phil Thd Form 10-24 X .38
16	56009099	1	Nut, Hex Jam 5/8-18
17	56009122	1	Wsh, Flt .344 X .938 X .125
18	56158143	1	Bearing Cup
19	56158151	1	Bearing Cone
20	56171081	1	Seal, Shaft
21	56314032	1	Block, Bearing
22	56314116	1	Plate, Steering
23	56316540	2	Assembly, Wheel And Bearing
*	56412243	A/R	Rear Wheel Bearing
24	56320595	1	Bushing .32x.50x.28
25	56367117	2	Wsh, Flt .406 X 1.5 X .1875
26	56378380	1	Bearing Ball
27	56420160	2	Bearing, Flange
28	56422020	1	Chassis Weldment
29	56422047	1	Motor / Drive Wheel (M1)
*	56422150	1	Wheel Drive Tire Kit
*	56422151	1	Replacement Motor
*	56422152	1	Brush & Spring Kit
*	56422172	1	Tire
*	56422173	1	Brake, Electromagnetic
*#	56504481	1	Cover, Gearbox Motor
*#	56504482	1	Cover, Drive Motor
*	56422174	A/R	Tire Puller Kit
30	56422060	1	Spindle Weldment
31	56422078	1	Latch Assembly
32	56486112	1	Clamp, P

= Revised or new since last update

* = Not Shown



Item	Ref. No.	Qty	Description
1	56014601	1	Decal, Caution
2	56015242	1	Decal, Battery Wiring
3	56015276	1	Decal, Logo (Advance)
	56016348	1	Decal, Logo (Nilfisk)
4	56015281	1	Decal, Logo 2 Inch (Advance)
	56016421	1	Decal, Logo 2 Inch (Nilfisk)
5	56015289	2	Decal, Advolution (Advance)
	56015288	2	Decal, UHR 70-1700 (Nilfisk)
6	56015296	1	Decal, Circuit Breaker
7	56015612	1	Decal, Ladder Diagram
8	56015613	1	Decal, Wiring Diagram (back side of electrical panel)
9	56016146	1	Decal, Emergency Disconnect
10	56016730	1	Decal, Advance
	56016731	1	Decal, Nilfisk



06-3	ELECTRICAL SYSTEM	BOOK D		
08-8	Advolution™ 2710 / UHR 70-1700	D	5.9.1	9

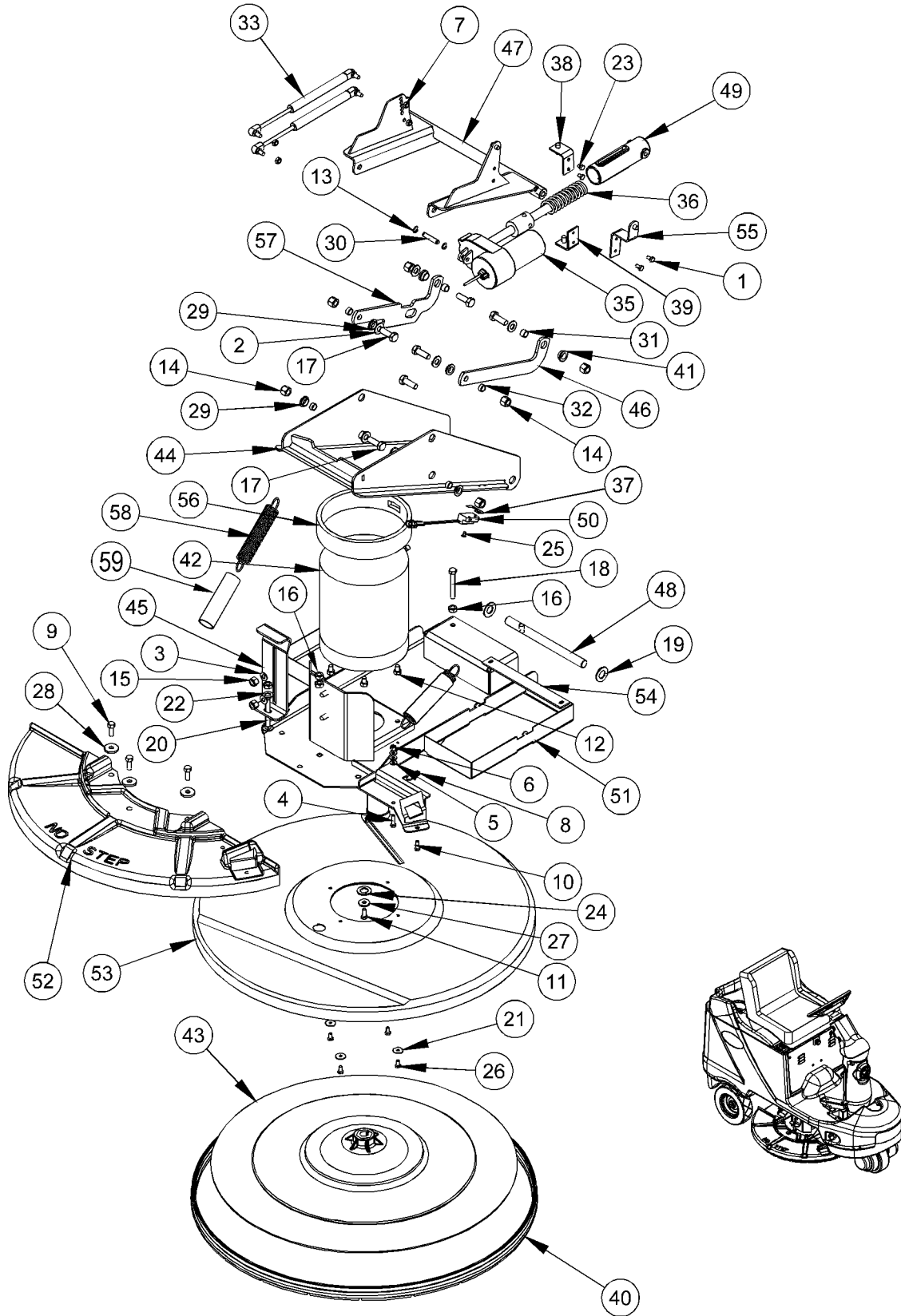
Item	Ref. No.	Qty	Description
1	56009020	2	Stud
2	56009203	1	Stud, 1/4-20
3	56395450	1	Contactor 36v (K3 / Pad Motor)
4	56407130	1	Disconnect, Emergency (S10)
5	56409485	5	Cable, Battery (Not Shown)
6	56412089	1	Fuse, 150 Amp (F1)
7	56412177	1	Horn/Backup Alarm (H1)
8	56469858	3	Electrical Mount
9	56002145	4	Scr, Pan Phil 1/4-20 X .50
10	56002146	2	Scr, Pan Phil 8-32 X .62
11	56002561	3	Nut, Hex W/ Shprf 1/4-20
12	56002840	4	Nut, Hex Nyl Loc-Thin 1/4-20
13	56009063	1	Scr, Hex Thd Form 10-24 X .25
14	56009206	2	Scr, Truss Phil-Blk 10-24 x .50
15	56160512	2	Strain Relief .600
16	56303299	1	Circuit Breaker, 40 Amp (CB2 / Wheel Drive)
17	56315255	1	Circuit Breaker, 5 Amp (CB1 / Control Circuit)
18	56372673	12	Boot, Battery Post (Not Shown)
19	56422070	1	Panel, Electronic
20#	56422100	1	Control Box Assembly (before SN 2062973) NOTE #2
#	56422182	1	Control Box Assembly (after SN 2062973)
21	56422107	1	I/O Panel Assembly
*	1450372000	1	Key Switch (S1)
*	1460806000	A/R	Replacement Key (set of 2)
22	56422114	1	Controller, Speed (A1) TSBUS2008-991
23	56422115	1	Harness, Main (Not Shown)
24	56422116	1	Harness, Traction (Not Shown)
25	56422117	1	Connector Assembly
26	56422118	1	Connector Assembly
27	56422129	1	Cable Asm, Red 4-1 (Not Shown)
28	56422130	1	Cable Asm, Red 4-2 (Not Shown)
29	56422159	1	Bushing, Open/Closed 1.25
30	56478246	2	Cable Tie NOTE #1
31	56001954	4	Wsh, Flt SAE #10 NOTE #1
32	56002192	4	Scr, Pan Phil 10-24 X .75 NOTE #1
33	56002768	4	Nut, Hex Nyl Loc 10-24 NOTE #1
34	56009005	2	Scr, Pan Phil SS Type B 10-16 x .75 NOTE #1
35	56422145	1	Charger, Battery Onboard NOTE #1
36	56422159	1	Bushing, Open/Closed 1.25 NOTE #1
37	56422169	1	Cord Holder NOTE #1

* = Not Shown

NOTE #1: Standard on 56422002 and 56422168 models only.

NOTE #2: Control Box Assembly 56422100 is obsolete and replaced by 56422182

= Revised or new since last update

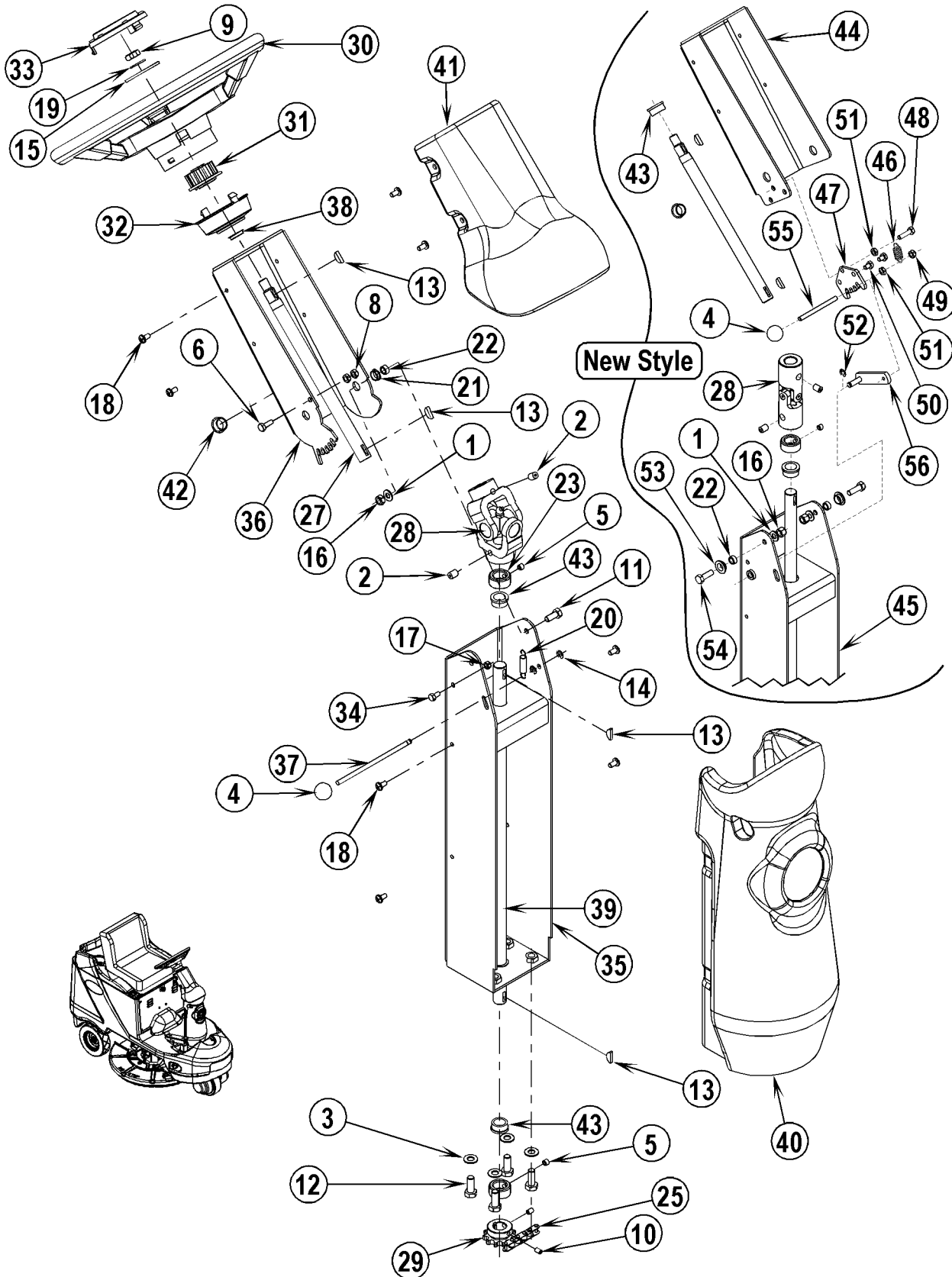


Item	Ref. No.	Qty	Description	Item	Ref. No.	Qty	Description
1	56001854	2	Scr, Hex 1/4-20 X .50	41	56420160	2	Bearing, Flange
2#	56009017	6	Wsh, Flt Harden .516 x .938 x .075	42	56422030	1	Motor (M2)
3	56002063	4	Wsh, Flt SAE 3/8	*	56422153	1	Brush & Spring Kit
4	56001832	1	Scr, Flt Phil 1/4-20 X 1.00	43	56422035	1	Pad Driver Assy
5	56002098	2	Wsh, Flt SAE 1/4	*	56422095	1	Pad Retainer
6	56002708	1	Nut, Hex Nyl Loc 1/4-20	44	56422036	1	Linkage Weldment
7	56002826	4	Nut, Hex Nyl Loc-Thin 5/16-18	45#	56422039	1	Bracket, Adjustable TSBUS2008-990
8	56002840	1	Nut, Hex Nyl Loc-Thin 1/4-20	46	56422041	1	Bar, Linkage
9	56002947	3	Scr, Hex Hd Loc 3/8-16x1.00	47	56422042	1	Linkage, Arm Weldment
10	56002948	1	Scr, Hex Hd Loc 1/4-20x.75	48	56422046	1	Shaft, Pivot
11	56002956	1	Scr, Hex Hd Loc 5/16-18x.75	49	56422084	1	Spring Housing, Actuator
12	56003023	4	Scr, Hex Hd Loc 3/8-16x.50	50	56422126	1	Sensor, Proximity (S3)
13	56003262	2	Ring, Ret Ext Type E 0.38 Dia	51	56422132	1	Weldment, Shroud
14	56003312	6	Nut, Hex Nyl Loc M12-1.75	52	56422137	1	Pad Cover
15	56003406	2	Nut, Hex Nyl Loc M10-1.5	53	56422141	1	Shroud, Dust Assy
16	56003409	4	Nut, Hex M10-1.5	54	56422144	1	Strap, Bag
17	56003415	6	Scr, Hex M12-1.75 X 35mm	55	56422147	1	Weldment, Mount
18	56003422	1	Scr, Hex Thd To Hd M10-1.5 X 70mm	56	56422154	1	Filter, Air
19	56003719	2	Wsh, Flt Nylon .760 X 1.420 X .100	57	56422157	1	Bar, Linkage
20	56003731	1	Scr, Carriage Thd To Hd M10-1-5 X 80 Mm Cl 8.8	58	56422161	2	Spring, Extension
21	56009002	4	Wsh, Flt .266 X .906 X .060	**	56422175	1	Kit, Spring Replacement
22	56009003	2	Wsh, Flt .516 X .938 X .075	59	56261333	2	Hose, Vacuum
23	56009019	2	Scr, Hex Thd Form 1/4-20 X .38	**	56420163	A/R	Pad, 27"(68.58cm) Natural, Case of 5
24	56009022	1	Wsh, Flt .754 X 1.250 X .120	**	56420162	A/R	Pad, 27"(68.58cm) Topline, Case of 5
25	56009030	1	Scr, Pan Phil Thd Form 10-24 X .38	**	56422149	A/R	Kit, Linkage Bushings & Hardware (#2, 14, 16-19, 29, 31, 32, 41 & 48) (#1, 3, 12 & 27 on Chassis System)
26	56009033	4	Scr, Hex Thd Form 1/4-20 X .50				
27	56009057	1	Wsh, Flt Harden .344x1.000x.120/.135				
28	56009195	6	Wsh, Flt .406 X 1.25 X .164				
29	56100084	4	Bearing, Flange				
30	56104760	1	Pin				
31#	56422176	2	Bushing, M12 x .625 x .440				
32#	56422178	4	Bushing, M12 x .625 x .480				
33#	56385238	2	Gas Cylinder (before SN 2062973)				
#	56422179	2	Gas Cylinder (after SN 2062973)				
*	56391185	1	Bag, Disposable, 6 Pack				
35	56393303	1	Actuator, Motor (M3)				
*	56393790	2	Limit Switch				
*	56470433	1	Brush Kit				
36#	56407199	1	Compression Spring (before SN 2062973)				
#	56422180	1	Compression Spring (after SN 2062973)				
37	56409769	1	Clip, Weatherpack Mount				
38	56420019	1	Nut Retainer				
39	56420020	1	Nut Retainer				
40	56420024	1	Skirt Assembly				

= Revised or new since last update

* = Not Shown

** = Optional, Not Included

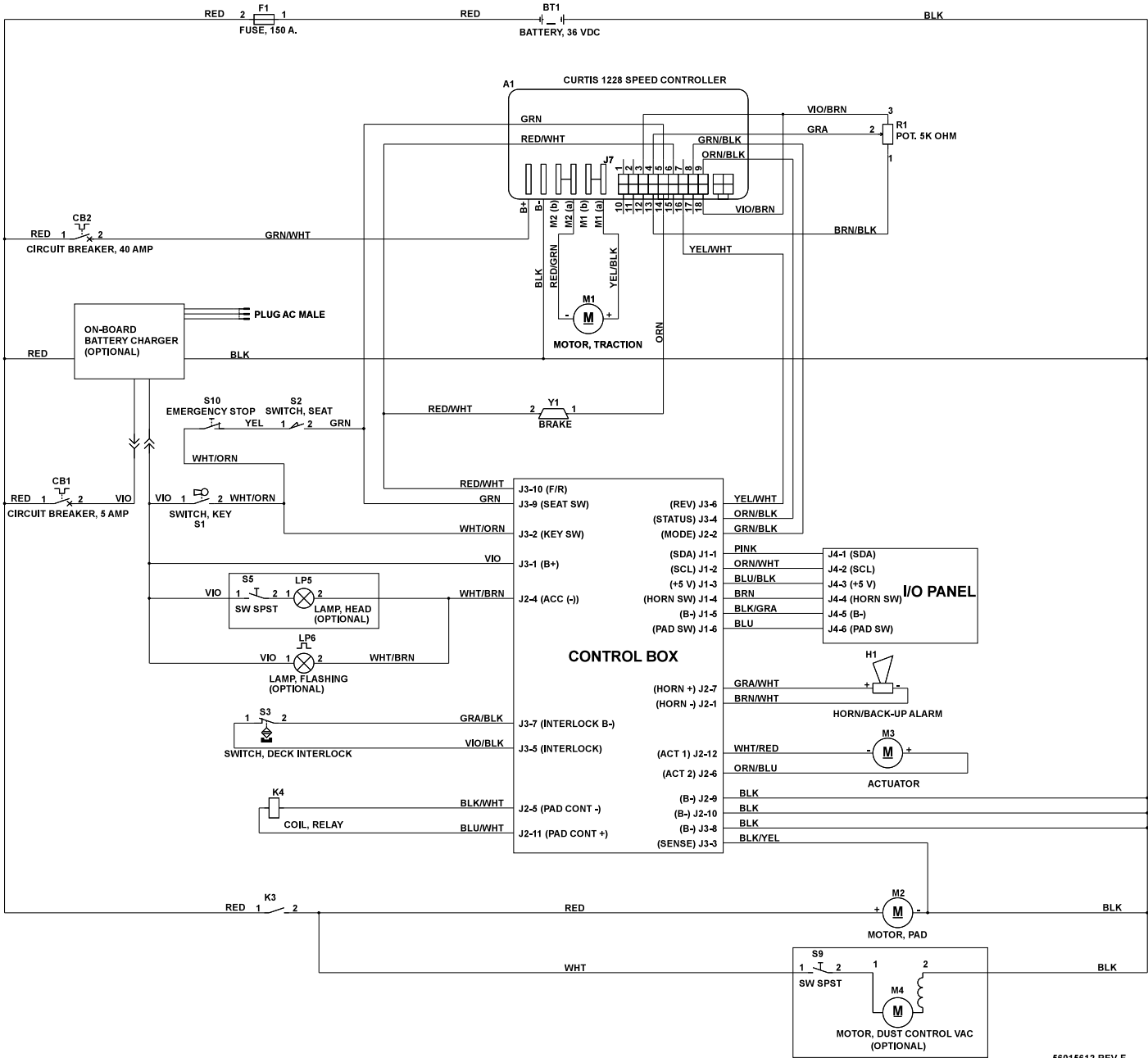


Item	Ref. No.	Qty	Description	Item	Ref. No.	Qty	Description
1	56001939	2	Wsh, Flt SAE 5/16	44	56413657	1	Column, Upper NOTE 2
2	56001958	2	Scr, Soc Set Loc 3/8-16 x .50	45	56413659	1	Lower Column Weldment NOTE 2
3	56002063	4	Wsh, Flt SAE 3/8	46	56305072	1	Spring, Extension .075 NOTE 2
4	56440817	1	Knob	47	56413658	1	Ratchet, Steering Column NOTE 2
5	56002086	2	Scr, Soc Set Loc 5/16-18 x .25	48	56002093	1	Scr, Hex 1/4-20 x 1.00 NOTE 2
6	56002155	1	Scr, Hex Hd 1/4-20 x .75 NOTE 1	49	56002840	1	Nut, Hex Nyl Loc-Thin 1/4-20 NOTE 2
8	56002840	2	Nut, Hex Nyl Loc-Thin 1/4-20 NOTE 1	50	56002933	2	Scr, Hex Hd Loc 1/4-20 x .38 NOTE 2
9	56002843	1	Nut, Hex Nyl Loc-Thin 1/2-13	51	56003145	2	Nut, Hex Jam SS 1/4-20 NOTE 2
10	56002930	2	Scr, Soc Set Loc 1/4-20 x .38	52	56003261	1	Ring, Ret Ext Type E 0.31 Dia NOTE 2
11	56003179	2	Scr, Hex Thd To Hd M8-1.25 x 20mm NOTE 1	53	56413211	2	Bearing, Flange .625 x .500 x .250 NOTE 2
12	56003186	4	Scr, Hex Thd To Hd M10-1.50 x 25mm	54	56003436	2	Scr, Hex SS M8-1.25 x 25mm NOTE 2
13	56003228	4	Key, WDF .75 x .19	55	56413664	1	Rod NOTE 2
14	56003268	2	Ring, Ret Ext Type E Reinf .25 Dia NOTE 1	56	56413661	1	Steering Pawl Weldment NOTE 2
15	56003342	1	Wsh, Flt .88 x .25 x .13				
16	56003389	2	Nut, Hex Nyl Loc M8-1.25				
17	56003403	1	Nut, Hex Nyl Loc M6-1.00 NOTE 1				
18	56009062	8	Scr, Pan Phil Thd Form 1/4-20 x .50				
19	56001879	1	Wsh, Flt SAE 1/2				
20	56245008	1	Spring, Extension NOTE 1				
21	56302164	2	Bearing, Flange NOTE 1				
22	56320595	2	Bushing .32 x .50 x .28				
23	56367095	2	Collar, Shaft				
24#			Deleted				
25	56412198	1	Chain, Roller				
27	56420059	1	Shaft, Upper Steering				
28	56454081	1	Universal Joint				
29	56471148	1	Sprocket				
30	56497306	1	Steering Wheel				
31	56497560	1	Wheel Adapter				
32	56497308	1	Cup				
33	56497543	1	Cap				
34	56003155	1	Scr, Hex M6-1.00 x 12mm NOTE 1				
35	56314877	1	Lower Column Weldment NOTE 1				
36	56314093	1	Column, Steering NOTE 1				
37	56314094	1	Rod, Steering lock NOTE 1				
38	56314148	1	Bearing, Nyliner NOTE 1				
39	56422048	1	Shaft, Lower Steering				
40	56314295	1	Shroud, Lower Column				
41	56314296	1	Shroud, Upper Column				
42	56900041	1	Plug, Cap				
43	56250414	2	Bearing, Flange (qty of 3 after serial number 1942960)				

= Revised or new since last update

NOTE 1: Used on machines built before serial number 1942960.

NOTE 2: Used on machines built after serial number 1942959.



56015612 REV.F

06-3	WIRING DIAGRAM	BOOK D		
08-8		Advolution™ 2710 / UHR 70-1700	D	5.9.1

Item	Ref. No.	Qty	Description
A1#	56422114	1	Speed Controller TSBUS2008-991
#	56422100	1	Control Box (before SN 2062973)
#	56422182	1	Control Box (after SN 2062973)
	56422107	1	I/O Panel
BT		A/R	Battery, 36V
CB1	56315255	1	Circuit Breaker, 5 Amp (Control)
CB2	56303299	1	Circuit Breaker, 40 Amp (Traction Drive)
F1	56412089	1	Fuse, 150 Amp
H1	56412177	1	Horn / Back-Up Alarm
K3	56395450	1	Contactora 36V (Pad Motor)
LP5	56409239	1	Headlight (Optional)
LP6	56307166	1	Beacon, Warning (Optional)
M1	56422047	1	Motor / Drive Wheel
*	56422150	1	Wheel Drive Tire Kit
*	56422151	1	Replacement Motor
*	56422152	1	Brush & Spring Kit
*	56422172	1	Tire
*	56422173	1	Brake, Electromagnetic
*#	56504481	1	Cover, Gearbox Motor
*#	56504482	1	Cover, Drive Motor
M2	56420030	1	Motor (Pad Drive)
*	56422153	1	Brush & Spring Kit
M3	56393303	1	Actuator, Motor
*	56393790	2	Limit Switch
*	56470433	1	Brush Kit
M4	56422097	1	Dust Control Vac Motor (Optional)
R1	56454740	1	Potentiometer, 5K
S1	1450372000	1	Switch, Key (Main)
*	1460806000	A/R	Replacement Key (set of 2)
S2	56409613	1	Switch (Seat)
S3	56422126	1	Sensor, Proximity
S5	NA	1	Part of LP5
S9	NA	1	Part of M4
S10	56407130	1	Disconnect, Emergency
Y1	NA	1	Part of M1
*	56422115	1	Harness, Main
*	56422116	1	Harness, Traction
*	56409485	5	Cable, Battery

= Revised or new since last update

* = Not Shown

Item	Ref. No.	Qty	Description
			Optional Kits
**	56314313	A/R	Kit, Headlight (56040791)
**	56397453	A/R	Kit, Battery Fill Indicator
**	56314301	A/R	Kit, Seat Armrests
**	56314981	A/R	Kit, Battery Watering (56040853)
**	56422098	A/R	Kit, Beacon (56040877)
**	56422148	A/R	Kit, Trash Can Holder (56040902)
**	56422156	A/R	Kit, Onboard Charger (56040888)
**#	56422186	A/R	Kit, AGM Onboard Charger (56040888)
**	56422083	A/R	Kit, Active Dust Control (56040878)
**	56422162	A/R	Kit, Seat Belt (56040846)
			Active Dust Control Options
**	1406554010	A/R	Dust Bag, .58 Gallon, 5 pack (Standard)
**	1406794010	A/R	Round Motor Protection Filter, STD. with Non-Hepa
**	56649978	A/R	Exhaust Filter, 3 pack (Standard)
**	1407160010	A/R	HEPA Filter, Round (Optional)
**	1406554050	A/R	High Filtration Dust bag, 10 pack (Optional)
**	1406908000	A/R	Cloth Dust Bag, Reusable, Shake Out (Optional)

= Revised or new since last update

NOTE: Replacement parts for the kits listed above can be found on each kit's associated instruction sheet.

			Accessories
**	56409441	A/R	Programmer, User
**	56409823	A/R	Programmer Cable
**	56420163	A/R	Pad, 27"(68.58cm) Natural, Case of 5
**	56420162	A/R	Pad, 27"(68.58cm) Topline, Case of 5
			Batteries
**	56388582	1	Battery 6V, 395 A/H
			Optional Battery Charger
**	56388120	1	Charger, 36vdc Auto 36amp 120vac/60hz
**	56		
** = Optional, Not Included			

